

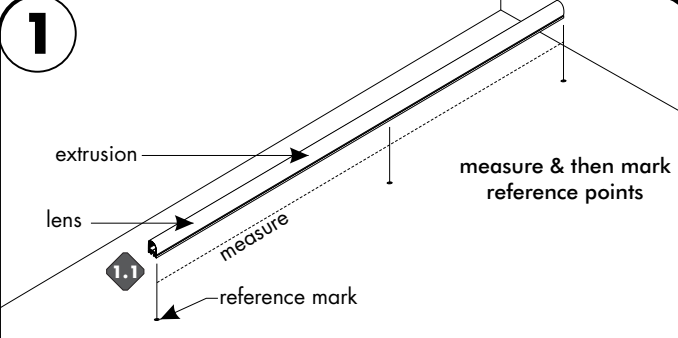
QUE Channel - Installation Instructions

Please read all instructions prior to installation and keep for future reference!

1. Product to be installed by a qualified electrician.
2. Prior to installation ensure power is off at fuse box to prevent electrical shock.

Page 1 of 2

1

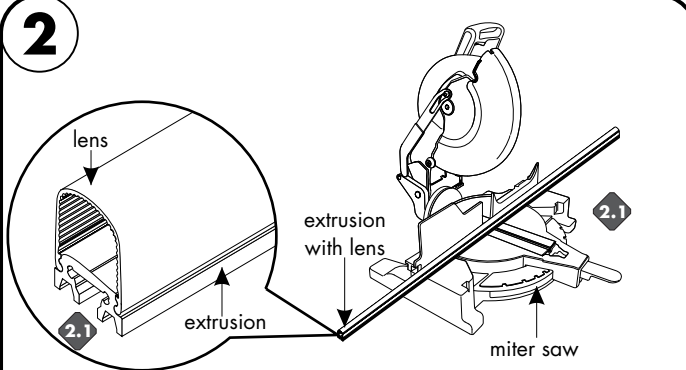


extrusion
lens
measure & then mark reference points
measure
reference mark
1.1

Note: Complete fixture must be built prior to installing, to properly make all necessary reference marks & to ensure all parts are included. Then it can be taken apart for installation.

1.1 Snap lens into the extrusion, then align & center the extrusion to the determined location. Make all necessary markings to install to the surface.

2

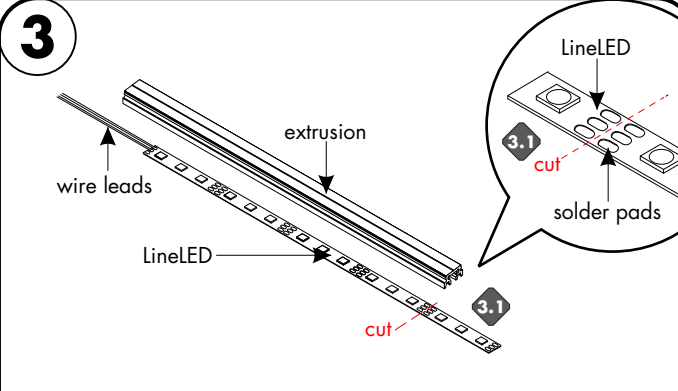


lens
extrusion with lens
extrusion
miter saw
2.1

Caution: Safety equipment is recommended, when modifications are being made to the extrusion & lens.

2.1 If necessary extrusion with the lens installed can be cut in the field. Use the proper blade for aluminum, and then cut to the desired length.

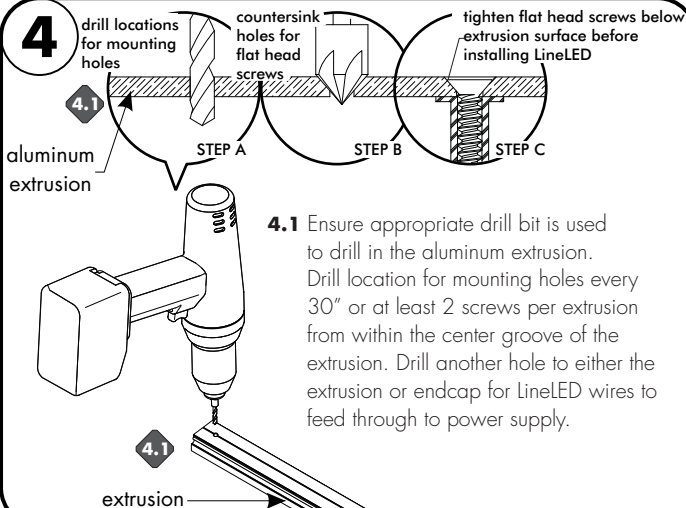
3



wire leads
extrusion
LineLED
cut
solder pads
3.1

3.1 LineLED can be shortened by cutting along the dashed lines in between the solder pads. Make sure the cut is made on the side of the LineLED without the wire leads. LineLED cannot touch the metal endcap which will shorten the circuit.

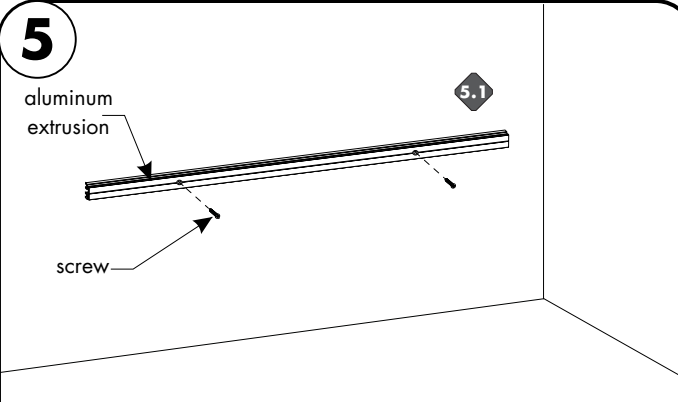
4



drill locations for mounting holes
countersink holes for flat head screws
tighten flat head screws below extrusion surface before installing LineLED
STEP A
STEP B
STEP C
aluminum extrusion
4.1
4.1
4.1
extrusion

4.1 Ensure appropriate drill bit is used to drill in the aluminum extrusion. Drill location for mounting holes every 30" or at least 2 screws per extrusion from within the center groove of the extrusion. Drill another hole to either the extrusion or endcap for LineLED wires to feed through to power supply.

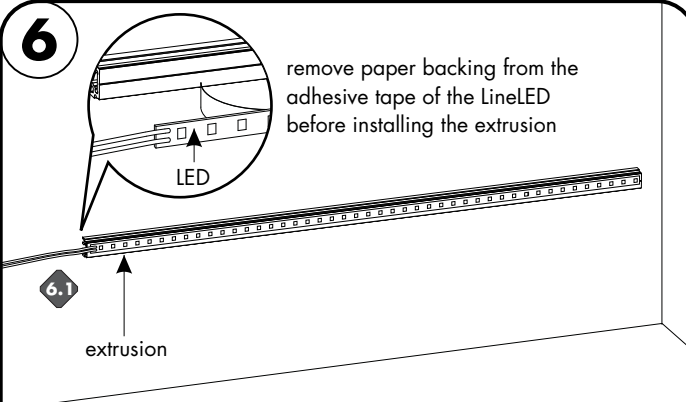
5



aluminum extrusion
screw
5.1

5.1 Secure extrusion directly to wall with #4 flat head wood screws.

6



remove paper backing from the adhesive tape of the LineLED before installing the extrusion
LED
6.1
extrusion

6.1 Prior to installing LineLED to extrusion, clean extrusion from any debris. Gently push LineLED onto aluminum extrusion.

QUE Channel - Installation Instructions

Please read all instructions prior to installation and keep for future reference!

1. Product to be installed by a qualified electrician.
2. Prior to installation ensure power is off at fuse box to prevent electrical shock.

Page 2 of 2

