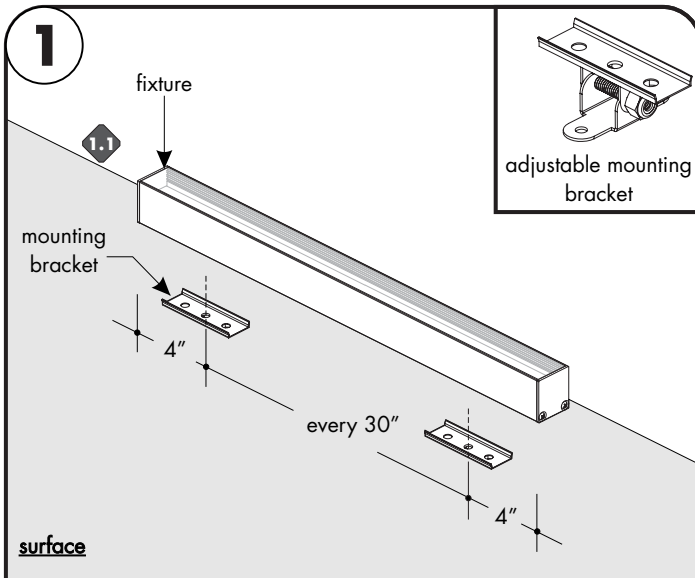


CH-MD-LS-SF & CH-MD-TL-SF Channel - Installation Instructions

Models CH-MD-LS-SF-XX & CH-MD-TL-SF

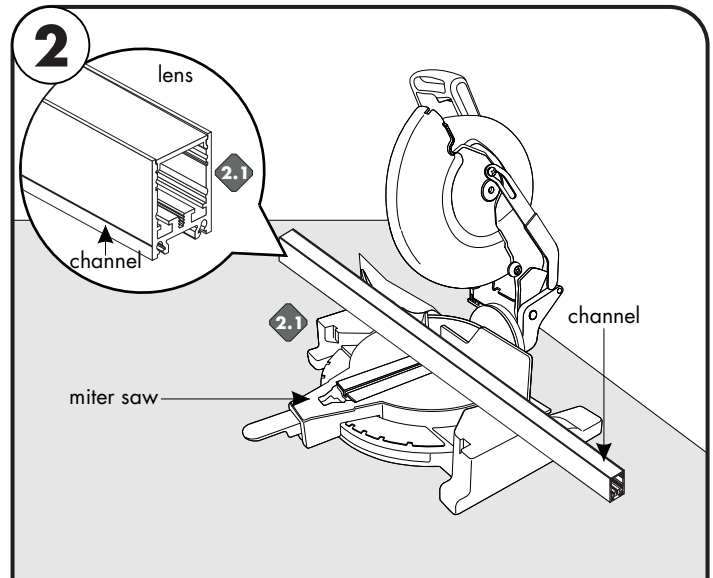
Please read all instructions prior to installation and keep for future reference!

1. Product to be installed by a qualified electrician.
2. Prior to installation ensure power is off at fuse box to prevent electrical shock.



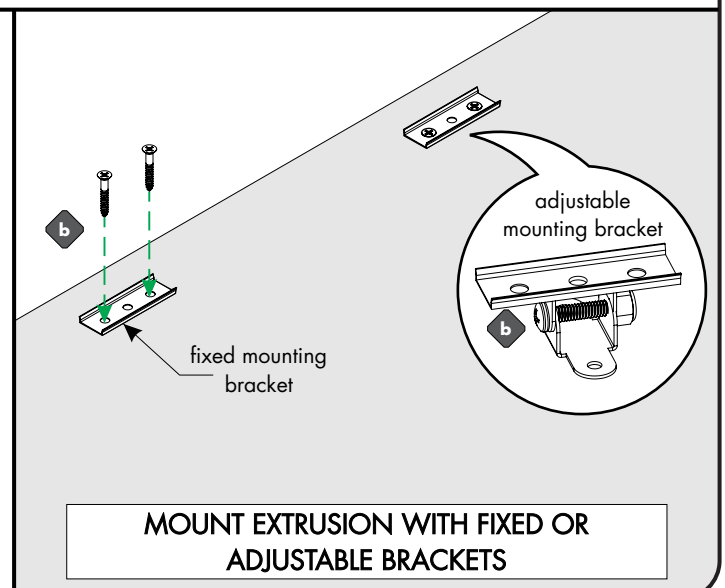
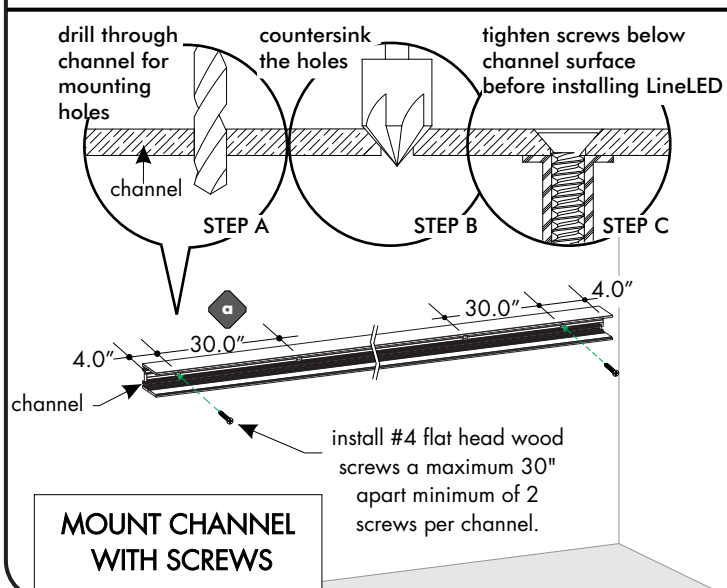
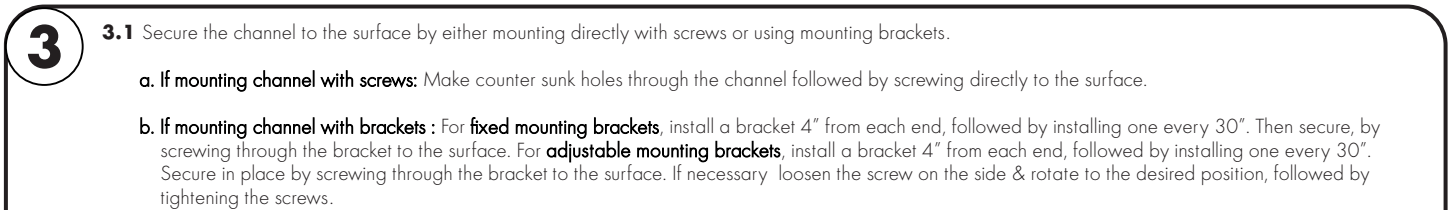
Note: Prior to install, 24VDC power must be present for wiring. Also review and account for all parts necessary to install properly.

- 1.1** Snap the lens into the channel, then align & center the channel to the determined location. Then make any reference marks if needed to install the channel, reference step 3 for mounting options.



Caution: Safety equipment is recommended, when modifications are being made to the channel & lens.

- 2.1** Extrusion & lens can be cut in the field. Using the proper blade for aluminum, cut to the desired length.

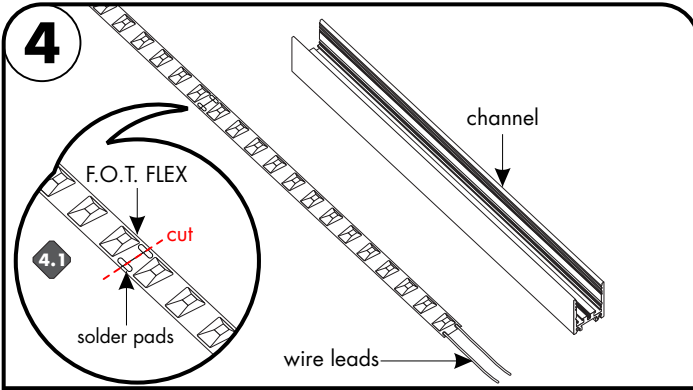


CH-MD-LS-SF & CH-MD-TL-SF Channel - Installation Instructions

Models CH-MD-LS-SF-XX & CH-MD-TL-SF

Please read all instructions prior to installation and keep for future reference!

1. Product to be installed by a qualified electrician.
2. Prior to installation ensure power is off at fuse box to prevent electrical shock.



4

F.O.T. FLEX

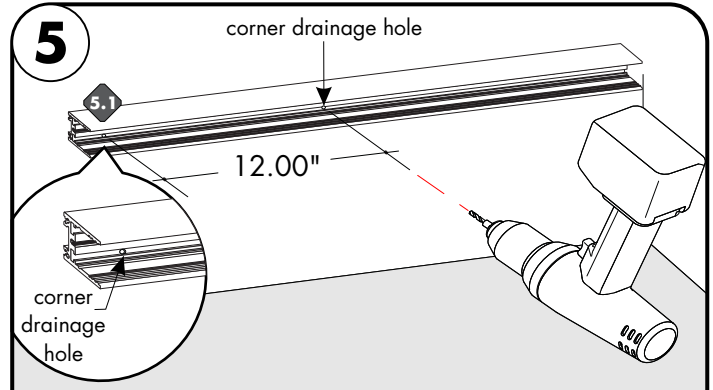
cut

solder pads

wire leads

channel

4.1 F.O.T. Flex or LineLED can be shortened by cutting along the dashed lines in between the solder pads. Make sure the cut is made on the side of the F.O.T. Flex or LineLED without the wire leads. F.O.T. Flex or LineLED cannot touch the metal endcap which will shorten the circuit.



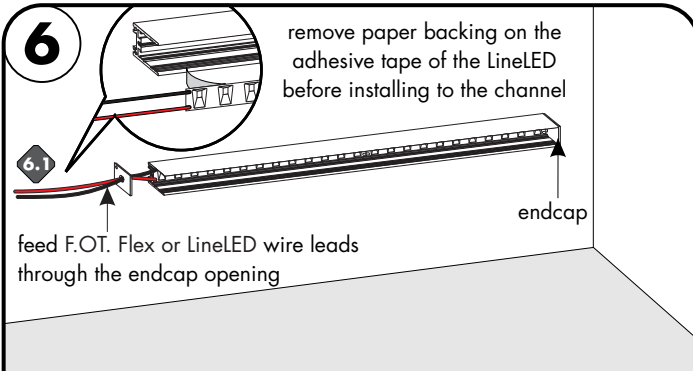
5

corner drainage hole

12.00"

corner drainage hole

5.1 **Optional:** Extrusion are not waterproof. If it is going to be installed facing up and in a wet location, drainage holes should be drilled along the inner corner of the channel every 12". Drill 1/16" to 1/8" diameters holes before installing LED strip.



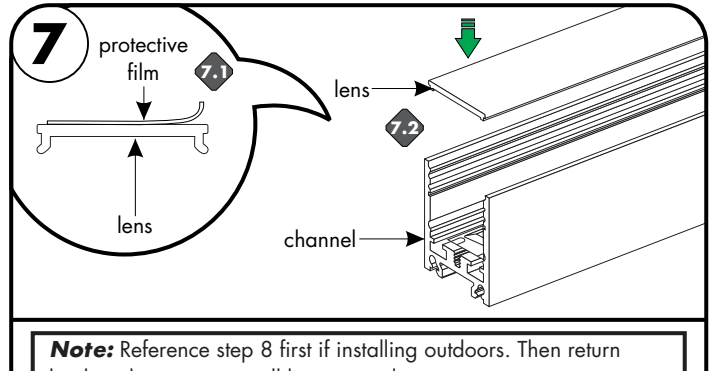
6

remove paper backing on the adhesive tape of the LineLED before installing to the channel

endcap

feed F.O.T. Flex or LineLED wire leads through the endcap opening

6.1 Prior to installing LineLED to channel, clean channel from any debris. Gently push LineLED onto aluminum channel and then install endcaps at both ends.



7

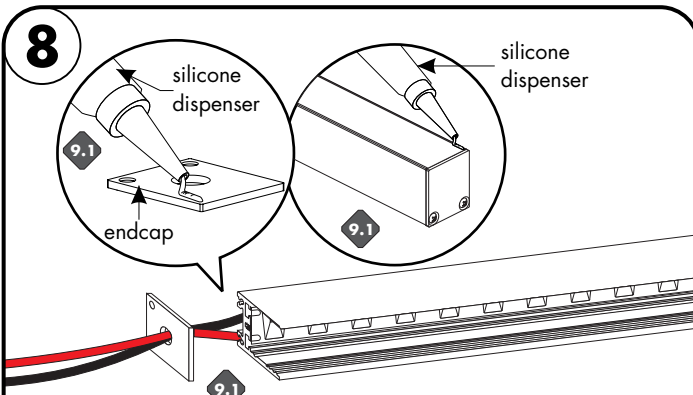
protective film

lens

channel

7.1 Remove the protective film from the diffuser lens.

7.2 Align the edge of the lens to the inside of the channel. Followed by carefully pushing and snapping into the other side little by little until its completely installed.



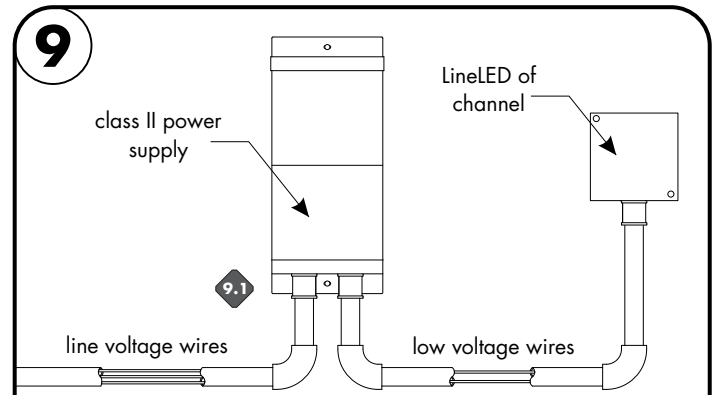
8

silicone dispenser

silicone dispenser

endcap

8.1 If channel is going to be installed outside, add silicone to the endcaps & the full length of the lens. To help avoid getting water inside the channel, but will not make waterproof.



9

class II power supply

LineLED of channel

line voltage wires

low voltage wires

9.1 Ensure the correct (wattage & voltage) power supply is used to power LineLED. Then proceed to connect LineLED wires from channel to power supply. For more information please refer to power supply and LineLED wiring instructions.