

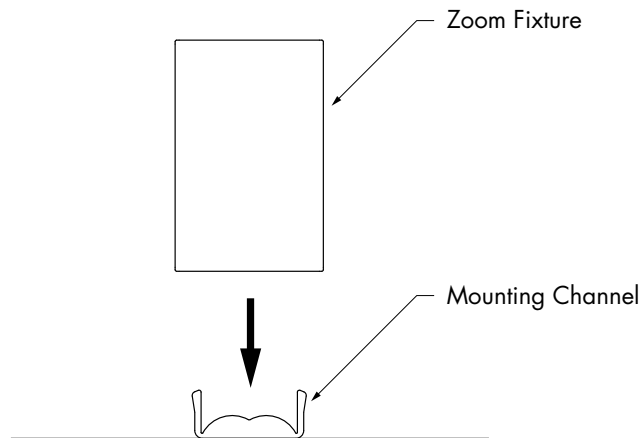
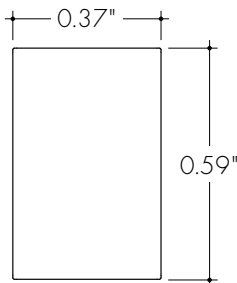
Features

Extruded aluminum linear illumination system, Zoom is available in sections up to 116" long. Sections can be interconnected to reach 16 feet using the high output LEDs. The small profile of the Zoom light fixture is ideal for applications with limited space requirements like architectural accents, under or above cabinets, display cases, and many more. Approved for closet/storage space installation per NEC 410.16(A)(3) and 410.16(C)(5). Class 2 listed for damp locations. 5 year warranty.

Finish Options

- Silver anodized
- Bronze powder coated
- Black powder coated
- White powder coated

Profile Dimensions



IC RATED

RoHS



Technical Information

OUTPUT OPTIONS	HO LL36-5MM
Lumens at 3000K Clear Lens	122 lm/ft
Average Power Consumption at 4'	3.2 W/ft
Maximum System Length Achievable via Feed Through Fixture Wiring	16'
Operating Voltage	24VDC

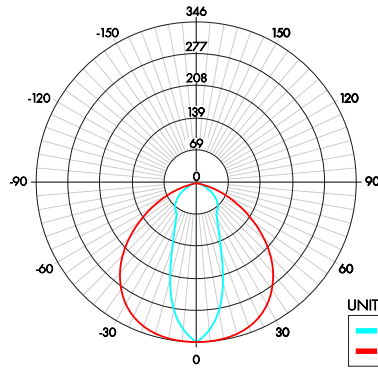
CCT INFO / LUMEN MULTIPLIER		TM-30-15		
Color Temperature	Multiplier (reference - 3000K)	CRI	R _f	R _g
2200K	0.87	82	81	99
2400K	0.73	98	95	101
2700K	0.81	98	95	102
2900K	0.86	97	95	102
3000K	1.00	91	90	101
3500K	1.05	95	90	97
4100K	1.28	93	88	96

Ordering Code

MODEL	LENGTH	CCT	OUTPUT	OPTIC	FINISH	POWER FEED
ZO	12	22K	HO	C	SA	F1
ZO - Zoom	12" - 116" 4" increments	22K - 2200K 24K - 2400K 27K - 2700K 29K - 2900K 30K - 3000K 35K - 3500K 41K - 4100K	HO - High	C - Clear F - Frosted	SA - Silver BK - Black BZ - Bronze WH - White (BK, BZ, WH finishes will have an upcharge and require longer lead times)	F1 - 72" wire leads F1X2 - 72" wire leads at both ends F2 - 72" wire leads at one end and quick connect at the other F3 - Single quick connect F4 - Dual quick connect F5 - 72" wire back feed

Photometry

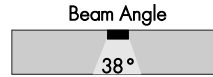
ZO-48-30K-HO-C-XX



Zonal Lumen Summary 3000K

Zone	Lumen	% Fixture
0-30	202	41%
0-40	292	59%
0-60	430	88%
0-90	484	99%
0-180	487	100%

Total



UNIT: CD
 — C0/180
 — C90/270

Power Consumption Per Fixture Length

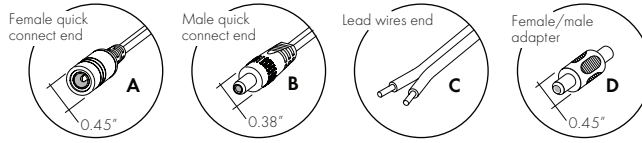
Based on operation with PSD series of power supplies



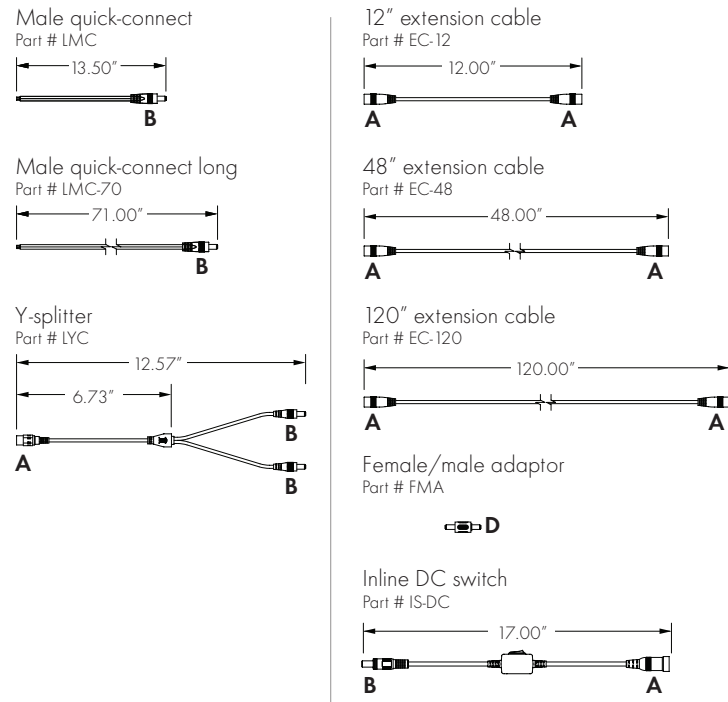
HO (L136-5MM)

Nominal length	*Actual length	W/ft	Total wattage
12	13 "	3.25	3.25
16	16-14/16"	3.25	4.00
20	20-14/16"	3.25	5.25
24	24-12/16"	3.25	6.50
28	28-11/16"	3.25	7.75
32	32-11/16"	3.25	8.50
36	36-9/16"	3.25	9.75
40	40-8/16"	3.25	10.25
44	44-8/16"	3.20	11.75
48	48-7/16"	3.20	12.80
52	52-6/16"	3.20	13.30
56	56-5/16"	3.20	14.80
60	60-4/16"	3.20	16.00
64	64-3/16"	3.20	17.00
68	70-1/16"	3.15	18.00
72	74 "	3.15	18.90
76	77-15/16"	3.15	19.00
80	81-15/16"	3.15	21.50
84	85-13/16"	3.15	22.05
88	89-12/16"	3.15	23.00
92	93-11/16"	3.10	24.00
96	97-10/16"	3.10	24.80
100	101-10/16"	3.10	26.30
104	105-8/16"	3.05	27.10
108	109-8/16"	3.05	28.00
112	113-7/16"	3.05	28.50
116	117-5/16"	3.05	30.00

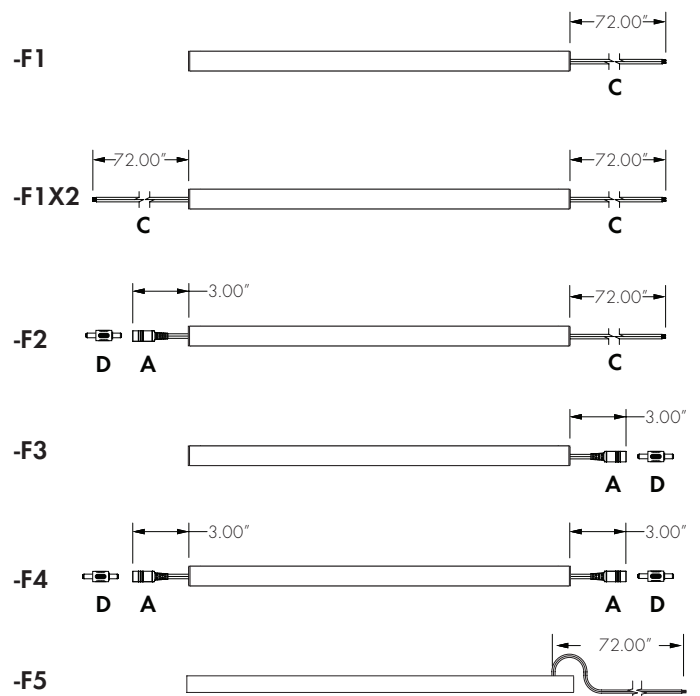
Connectors & Accessories



Linking and extension cable options



Powerfeed options

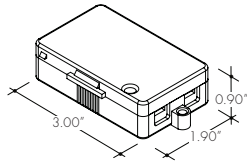


Accessories

Splice Box

LVSP-4T-BK

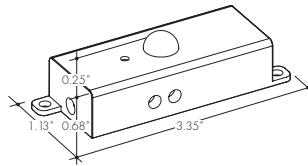
Low voltage, 4 terminal splice box, black



PIR Infrared Occupancy Sensor

OS-DC-F4-BK

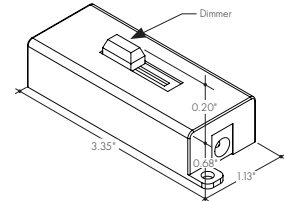
OS-DC-F4-BK - Occupancy Sensor



24VDC Low Voltage In-Line Dimmer Module

DIM-DC-F4-BK

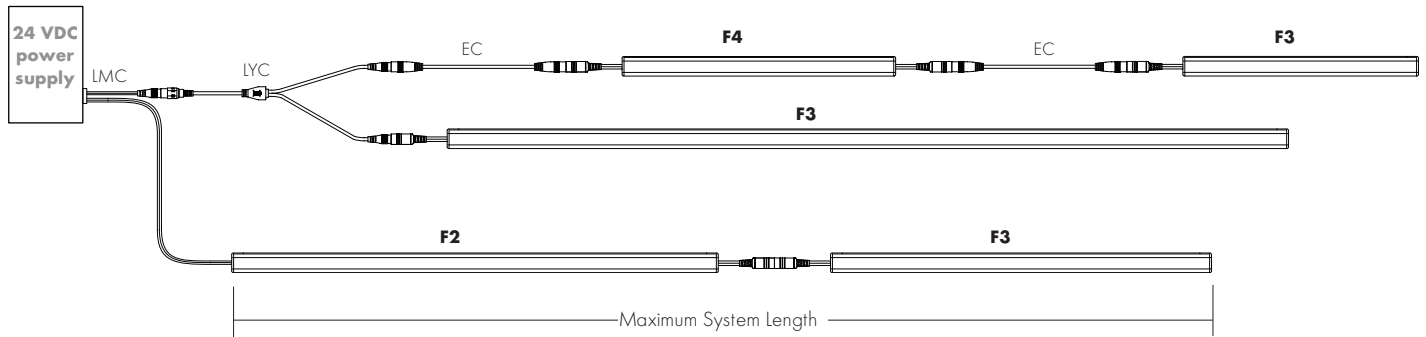
DIM-DC-F4-BK - 24VDC Low Voltage In-Line Dimmer Module



Note: a Male quick connector for input and output is required.

Note: a Male quick connector for input and output is required.

Sample layout of powerfeed connections



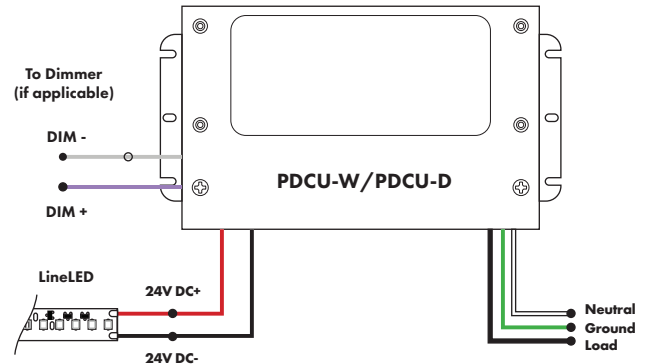
Power Supply

See fixture and power supply instructions & spec sheet for wiring information. Dimming possible in select models - view Luminii website for list of compatible dimmers.

Universal Power Supply

MODEL	POWER	OUTPUT
PDCU-W	96	24
PDCU-W - IP66 Wet Series	96 - 96 W 3X96 - 3X96 W	24 - 24 VDC
PDCU-D - IP20 Dry Series	30 - 30 W 60 - 60 W 96 - 96 W 3X96 - 3X96 W	

0-10V - 1% dimming
MLV/ELV/TRIAC - 1% dimming, consult dimming compatibility chart
Compatibility:
View a complete list of compatible dimmers on product page ([Link](#))

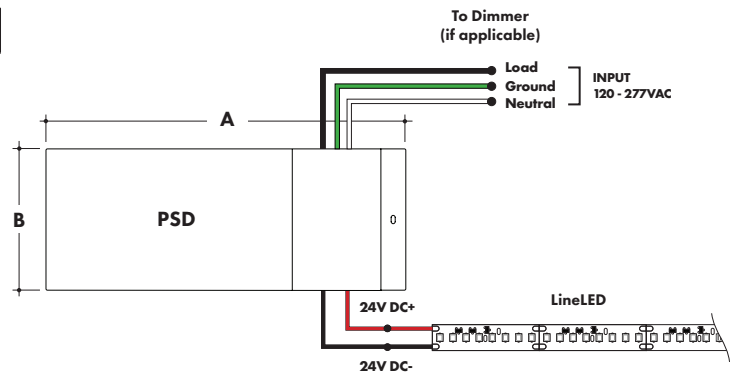


MODELS	PDCU-W 96W	PDCU-W 3X96W	PDCU-D 30W	PDCU-D 60W	PDCU-D 96W	PDCU-D 3X96W
A Length	8.66"	11.85"	6.10"	7.93"	8.25"	9.57"
B Width	3.73"	4.32"	3.35"	3.35"	4.10"	5.94"
Depth	1.61"	1.81"	1.33"	1.32"	1.56"	1.13"

Magnetic Low Voltage Dimming Power Supplies

MODEL	POWER	OUTPUT	INPUT
PSD	48	24	
PSD - PSD Series dims down to 0%	48 - 48 Watt 96 - 96 Watt 288 - 288 Watt (3 x 96Watt)	24 - 24 VDC	Blank - 120 V 240 - 240 V 277 - 277 V

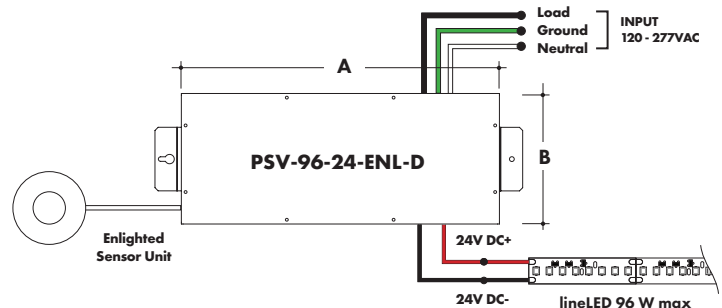
MODELS	48W	96W	288W
A Length	11.25"	11.25"	13.06"
B Width	3.42"	3.42"	8.42"
Depth	3.42"	3.27"	4.47"



Enlighted Enabled Dimming Power Supplies:

MODEL	POWER	OUTPUT	DIMMING	LOCATION
PSV	96	24	ENL	D
PSV - PSV Series	96 - 96 Watt	24 - 24 VDC	ENL - Enlighted Dimming	D - Damp

MODELS	96W
A Length	14.40"
B Width	5.20"
Depth	2.60"



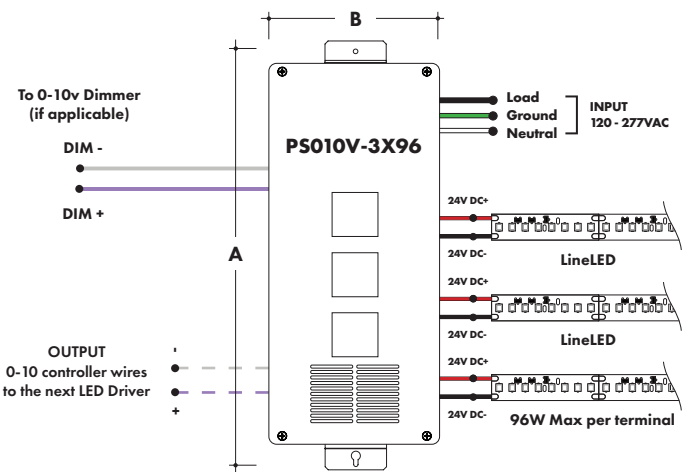
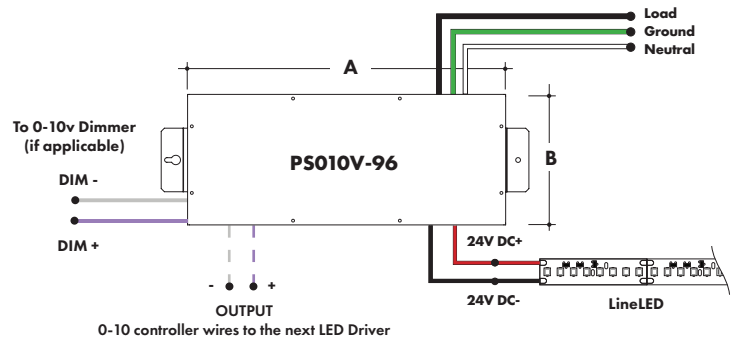
Power Supply

See fixture and power supply instructions & spec sheet for wiring information. Dimming possible in select models - view Luminii website for list of compatible dimmers.

0-10V Dimming Power Supplies

MODEL	POWER	OUTPUT	DIMMING
PS010V	96	24	LIN
PS010V - 0-10V Power Supply dims down to 0%	96 - 96 Watt 3X96 - 3 X 96 Watt	24 - 24 VDC	LIN - Linear LOG - Logarithmic

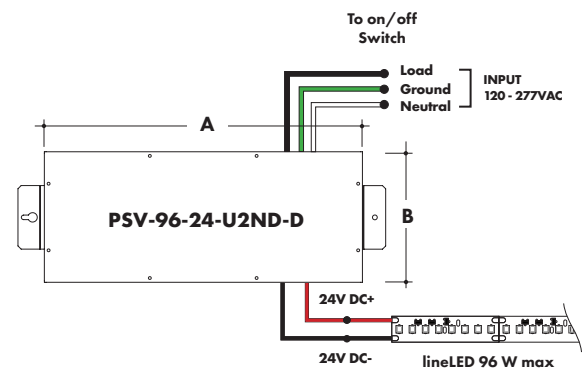
MODELS	96W	3X96
A Length	14.40"	15.75"
B Width	5.20"	6.62"
Depth	2.60"	4.95"



Non-Dimming Power Supply

MODEL	POWER	OUTPUT	DIMMING	LOCATION
PSV	96	24	U2ND	D
PSV - PSV Series	96 - 96 Watt	24 - 24 VDC	U2ND - Non Dimming	D - Damp

MODELS	96W
A Length	14.40"
B Width	5.20"
Depth	2.60"



Power Supply

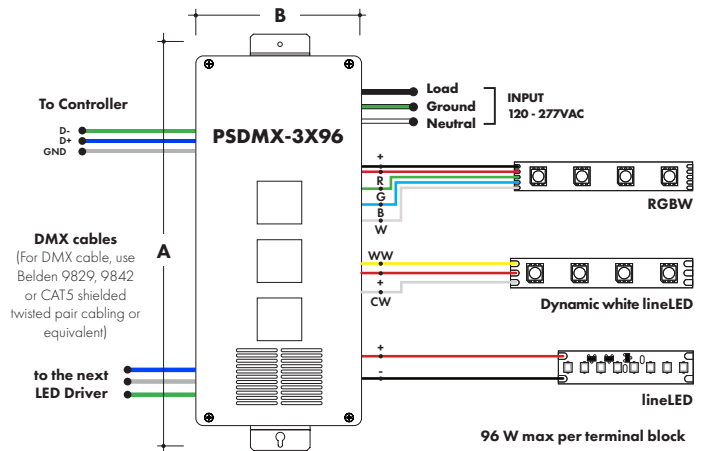
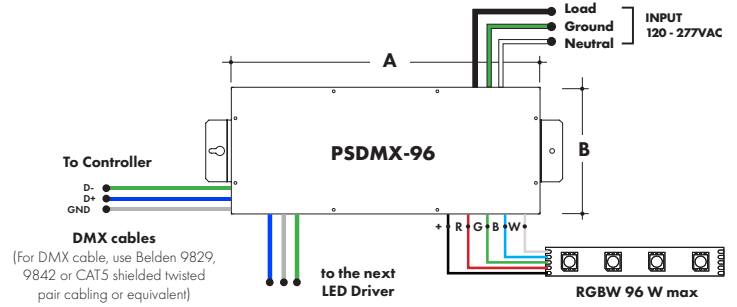
See fixture and power supply instructions & spec sheet for wiring information. Dimming possible in select models - view luminii website for list of compatible dimmers.

DMX Dimming Power Supplies

MODEL	POWER	OUTPUT
PSDMX	96	24
PSDMX - DMX Power Supply	96 - 96 Watt 3X96 - 3 X 96 Watt	24 - 24 VDC

Features eldoLED's LINEARdrive configurable dimmable drivers

MODELS	96W	3X96
A Length	14.40"	15.75"
B Width	5.20"	6.62"
Depth	2.60"	4.95"

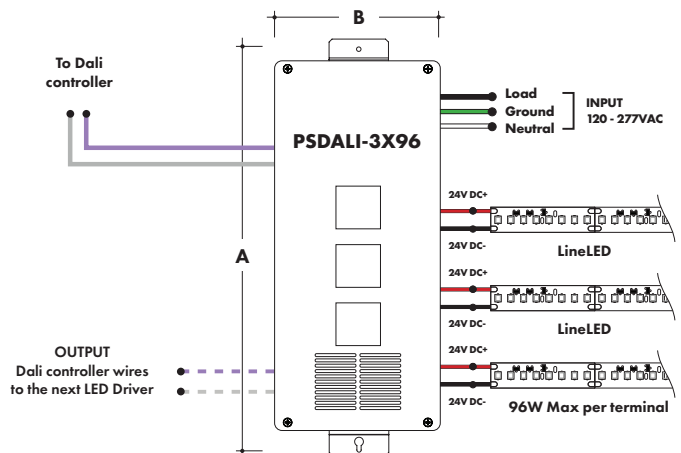
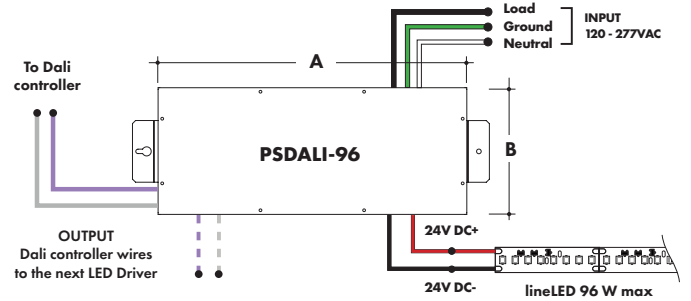


DALI Dimming Power Supplies

MODEL	POWER	OUTPUT
PSDALI	96	24
PSDALI - DALI Power Supply	96 - 96 Watt 3X96 - 3 X 96 Watt	24 - 24 VDC

Features eldoLED's LINEARdrive configurable dimmable drivers

MODELS	96W	3X96
A Length	14.40"	15.75"
B Width	5.20"	6.62"
Depth	2.60"	4.95"



Power Supply

See fixture and power supply instructions & spec sheet for wiring information. Dimming possible in select models - view Luminii website for list of compatible dimmers.



Luminii is a Lutron OEM Advantage Partner

MODEL

LTEA4U1UKL-CV240

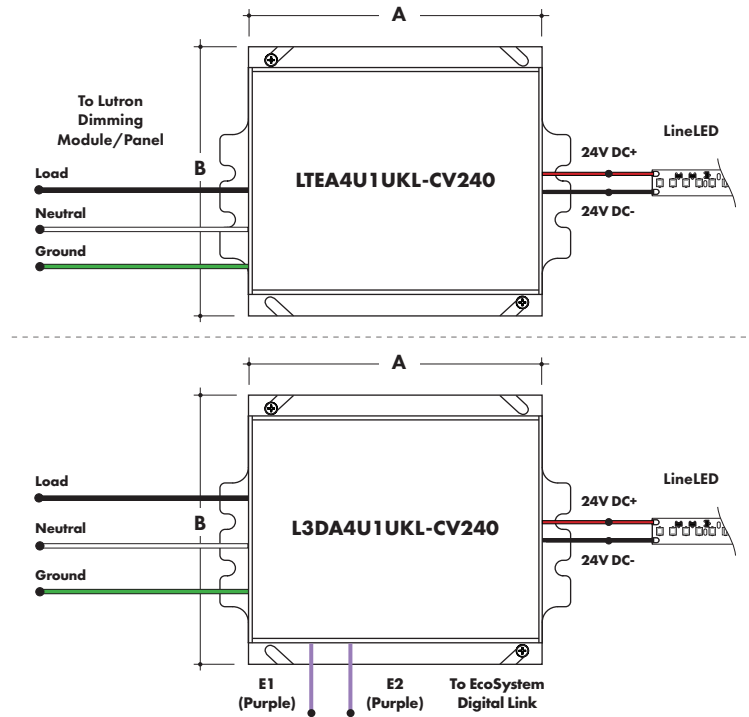
Lutron - HiLume™ 1% 2-wire LED Driver
(120V forward phase only)

MODEL

L3DA4U1UKL-CV240

HiLume™ 1% EcoSystem Voltage LED driver

MODELS	LTEA4U1UKL-CV240	L3DA4U1UKL-CV240
A Length	4.89"	4.98"
B Width	4.00"	4.00"
Depth	2.62"	2.62"



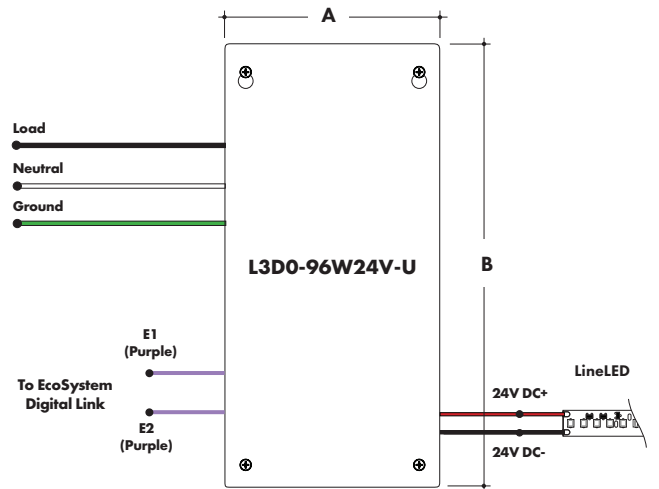
Luminii is a Lutron OEM Advantage Partner

MODEL

L3D0-96W24V-U

HiLume™ 0.1% EcoSystem Voltage LED Driver with Soft-On, Fade-to-Black™

MODELS	L3D0
A Length	10.50"
B Width	5.50"
Depth	2.00"



Power Supply

See fixture and power supply instructions & spec sheet for wiring information. Dimming possible in select models - view Luminii website for list of compatible dimmers.

In ground, Electronic Low Voltage Dimming Power Supplies

MODEL	POWER	OUTPUT	INPUT
IG - CVE	96X2	24	
IG - In ground CVE Series CVE - ELV Dimming DALI - eldoLED Dali dimming Both dims down to 0.1%	96X2 - 2 X 96 Watt	24 - 24 VDC	Blank - 120 V 277 - 240/277 V

MODELS	Dual Circuit
A Length	8.40"
B Width	8.30"
Depth	8.10"

