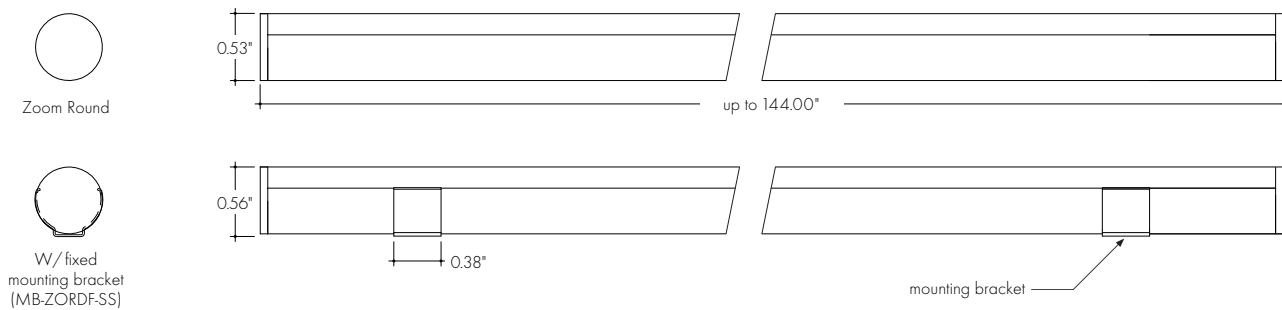




Features

- 24VDC Class 2 fixtures made to order up to 144"
- Suitable for undercabinet, millwork recessed and surface mount applications
- Approved for closet/storage space installation per NEC 410.16(A)(3) and 410.16(C)(5)
- Proprietary strong bond solder method handles up to 50lbs of torque on wire leads and connectors
- Dot free even illumination achievable with frosted lens
- Vibrant colors with R9 values up to 98
- Single micro binned LEDs +/- 30 CCT
- Dims with minimal color shift
- Class 2 listed for damp locations
- 5 Year warranty
- Finish Options
 - Silver anodized
 - Black powder coated
 - Bronze powder coated
 - White powder coated

Profile Dimensions



IC RATED

ROHS

Technical Information

| OUTPUT OPTIONS | HO (LL36-5MM) | CCT INFO/LUMEN MULTIPLIER | | TM-30-15 | | |
|--|------------------|---------------------------|--------------------------------|----------|----------------|----------------|
| | | Color Temperature | Multiplier (reference - 3000K) | CRI | R _f | R _g |
| Lumens at 3000K (with frosted lens) | 163 lm/ft | 2200K | 0.87 | 86 | 87 | 98 |
| Average power consumption at 4' | 3.2 W/ft | 2400K | 0.73 | 98 | 95 | 102 |
| Lumens / Watt | 51 lm/W | 2700K | 0.81 | 97 | 95 | 101 |
| Maximum system length | 18' | 2900K | 0.86 | 97 | 94 | 101 |
| Achievable via feed through fixture wiring | | 3000K | 1.00 | 91 | 89 | 98 |
| | | 3500K | 1.05 | 94 | 90 | 102 |
| | | 4100K | 1.28 | 94 | 86 | 96 |

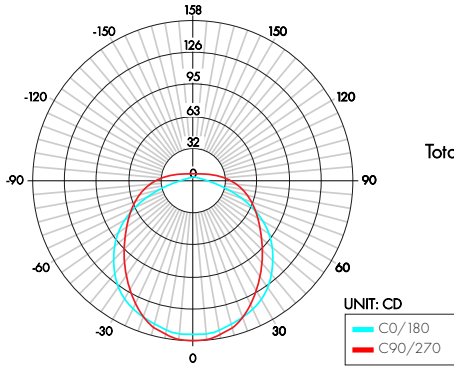


Ordering Code

| MODEL | LENGTH | CCT | OUTPUT | LENS | MOUNTING | FINISH | POWER FEED POSITION/TYPE |
|-----------|-----------------------------|---|-----------|----------------------|-----------------|---|--|
| ZO | 12 | 22K | HO | RDF | FC | SA | 1 |
| ZO - Zoom | 12" - 144" 4" increments | 22K - 2200K 24K - 2400K 27K - 2700K 29K - 2900K 30K - 3000K 35K - 3500K 41K - 4100K | HO - High | RDF - Round, Frosted | FC - Fixed clip | SA - Silver BK - Black BZ - Bronze WH - White (BK, BZ, WH finishes will have an upcharge and require longer lead times) | E - End B - Back 1 - 72" wire leads 1X2 - 72" wire leads at both ends 2 - 72" wire leads at one end and quick connect at other 3 - Single quick connect 4 - Dual quick connect |

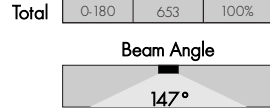
Photometry

ZO-48-30K-HO-RDF-XX



Zonal Lumen Summary 3000K

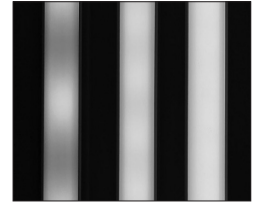
| Zone | Lumen | % Fixture |
|-------|-------|-----------|
| 0-30 | 123 | 19% |
| 0-40 | 206 | 31% |
| 0-60 | 384 | 59% |
| 0-90 | 572 | 88% |
| 0-180 | 653 | 100% |



LED Dotting Per Extrusion

| Output | Frosted Lens |
|----------------|--------------|
| VHO (LL36-5MM) | ND |

CD = Clear Dotting
 SD = Slight Dotting
 ND = No Dotting



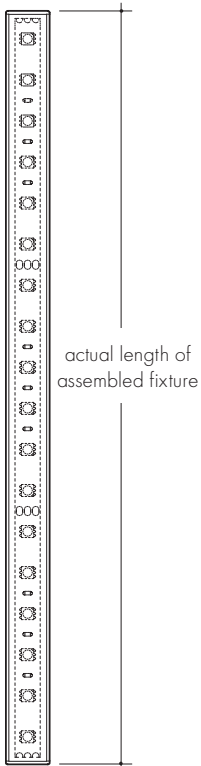
Clear Dotting Slight Dotting NO Dotting

Light transmission

| Lens/Accessory | Percentage Light Transmission |
|----------------|-------------------------------|
| Frosted lens | 100% |

Power Consumption Per Fixture Length

Based on operation with PSD series of power supplies

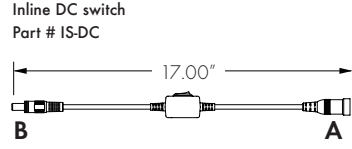
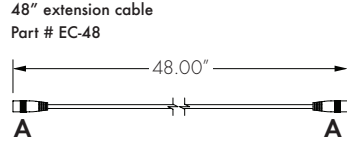
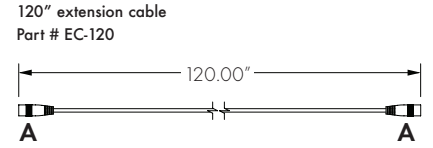
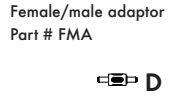
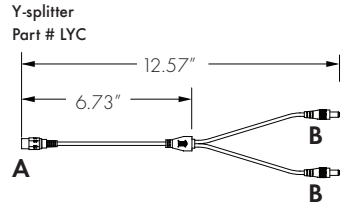
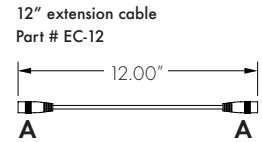
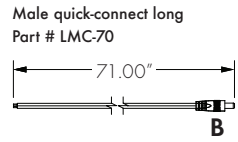
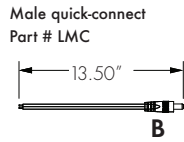
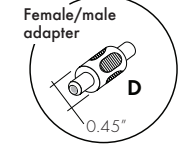
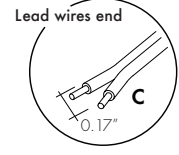
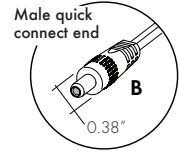
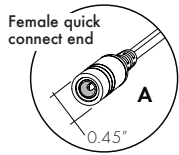


| Nominal Length | Actual Length | HO | |
|----------------|---------------|------|---------------|
| | | W/ft | Total wattage |
| 12" | 12-3/16" | 3.25 | 3.25 |
| 16" | 16-1/16" | 3.25 | 4.00 |
| 20" | 20-1/16" | 3.25 | 5.25 |
| 24" | 23-15/16" | 3.25 | 6.50 |
| 28" | 27-14/16" | 3.25 | 7.75 |
| 32" | 31-14/16" | 3.25 | 8.50 |
| 36" | 35-12/16" | 3.25 | 9.75 |
| 40" | 39-11/16" | 3.25 | 10.25 |
| 44" | 43-11/16" | 3.20 | 11.75 |
| 48" | 47-10/16" | 3.20 | 12.80 |
| 52" | 51-9/16" | 3.20 | 13.30 |
| 56" | 55-8/16" | 3.20 | 14.80 |
| 60" | 59-7/16" | 3.20 | 16.00 |
| 64" | 63-6/16" | 3.20 | 17.00 |
| 68" | 69-4/16" | 3.15 | 18.00 |
| 72" | 73-3/16" | 3.15 | 18.90 |
| 76" | 77-2/16" | 3.15 | 19.00 |

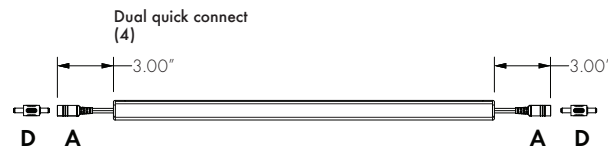
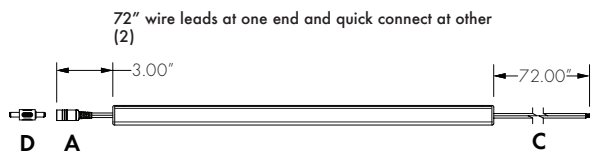
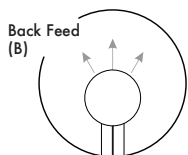
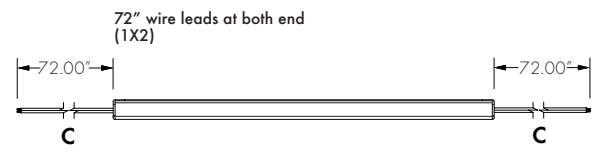
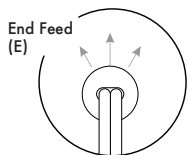
| Nominal Length | Actual Length | HO | |
|----------------|---------------|------|---------------|
| | | W/ft | Total wattage |
| 80" | 81-2/16" | 3.15 | 21.50 |
| 84" | 85 " | 3.15 | 22.05 |
| 88" | 88-15/16" | 3.15 | 23.00 |
| 92" | 92-14/16" | 3.10 | 24.00 |
| 96" | 96-13/16" | 3.10 | 24.80 |
| 100" | 100-13/16" | 3.10 | 26.30 |
| 104" | 104-11/16" | 3.05 | 27.10 |
| 108" | 108-11/16" | 3.05 | 28.00 |
| 112" | 112-10/16" | 3.05 | 28.50 |
| 116" | 116-8/16" | 3.00 | 30.00 |
| 120" | 120-8/16" | 3.00 | 30.50 |
| 124" | 124-7/16" | 3.00 | 31.50 |
| 128" | 128-5/16" | 3.00 | 32.50 |
| 132" | 132-5/16" | 2.95 | 33.50 |
| 136" | 136-4/16" | 2.95 | 34.30 |
| 140" | 140-3/16" | 2.95 | 35.20 |
| 144" | 144-2/16" | 2.90 | 36.00 |

Connectors & Accessories

Linking and extension cable options



Powerfeed Position / Type



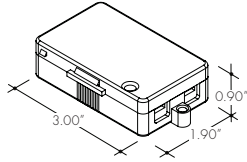
3, and 4 powerfeed options require #LMC to connect to PSD series of power supplies.

Accessories

Splice Box

LVSP-4T-BK

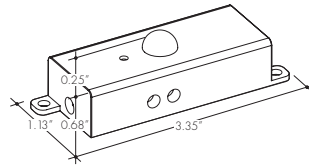
Low voltage, 4 terminal splice box, black



PIR Infrared Occupancy Sensor

OS-DC-F4-BK

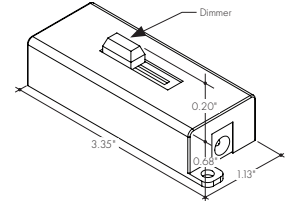
OS-DC-F4-BK - Occupancy Sensor



24VDC Low Voltage In-Line Dimmer Module

DIM-DC-F4-BK

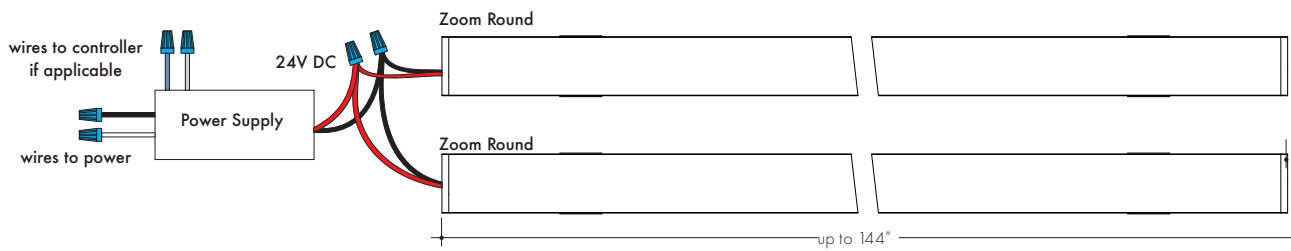
DIM-DC-F4-BK - 24VDC Low Voltage In-Line Dimmer Module



Note: a Male quick connector for input and output is required.

Note: a Male quick connector for input and output is required.

Wiring Diagram



Reference the power consumption chart on page 2, to determine how many fixtures can be power to power supply.

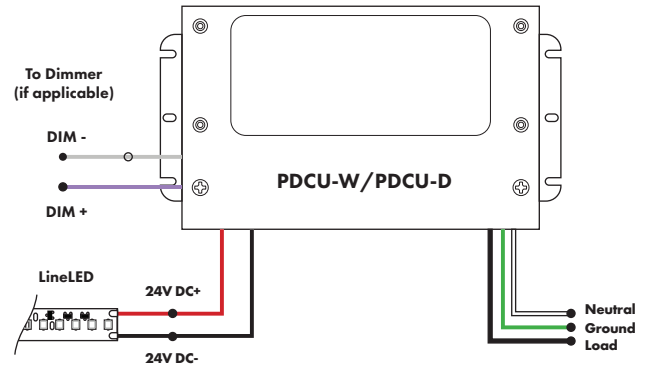
Power Supply

See fixture and power supply instructions & spec sheet for wiring information. Dimming possible in select models - view Luminii website for list of compatible dimmers.

Universal Power Supply

| MODEL | POWER | OUTPUT |
|--------------------------|--|-------------|
| PDCU-W | 96 | 24 |
| PDCU-W - IP66 Wet Series | 96 - 96 W 3X96 - 3X96 W | 24 - 24 VDC |
| PDCU-D - IP20 Dry Series | 30 - 30 W 60 - 60 W 96 - 96 W 3X96 - 3X96 W | |

0-10V - 1% dimming
MLV/ELV/TRIAC - 1% dimming, consult dimming compatibility chart
Compatibility:
View a complete list of compatible dimmers on product page ([Link](#))

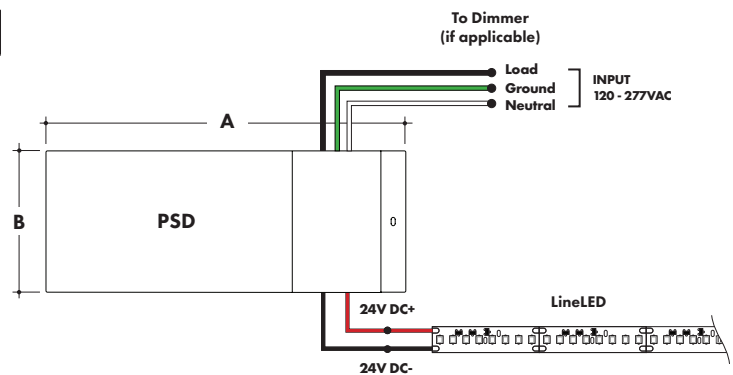


| MODELS | PDCU-W 96W | PDCU-W 3X96W | PDCU-D 30W | PDCU-D 60W | PDCU-D 96W | PDCU-D 3X96W |
|-----------------|------------|--------------|------------|------------|------------|--------------|
| A Length | 8.66" | 11.85" | 6.10" | 7.93" | 8.25" | 9.57" |
| B Width | 3.73" | 4.32" | 3.35" | 3.35" | 4.10" | 5.94" |
| Depth | 1.61" | 1.81" | 1.33" | 1.32" | 1.56" | 1.13" |

Magnetic Low Voltage Dimming Power Supplies

| MODEL | POWER | OUTPUT | INPUT |
|-------------------------------------|---|-------------|---|
| PSD | 48 | 24 | |
| PSD - PSD Series dims down to 0% | 48 - 48 Watt 96 - 96 Watt 288 - 288 Watt (3 x 96Watt) | 24 - 24 VDC | Blank - 120 V 240 - 240 V 277 - 277 V |

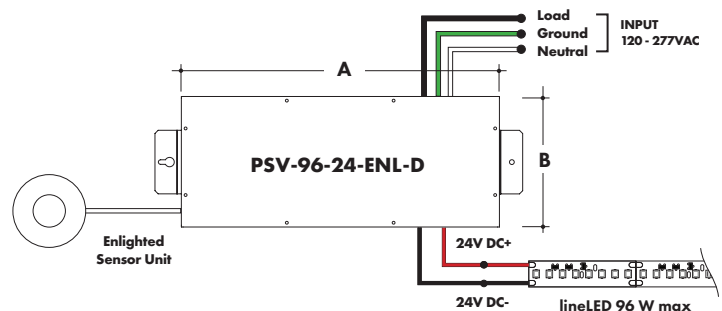
| MODELS | 48W | 96W | 288W |
|-----------------|--------|--------|--------|
| A Length | 11.25" | 11.25" | 13.06" |
| B Width | 3.42" | 3.42" | 8.42" |
| Depth | 3.42" | 3.27" | 4.47" |



Enlighted Enabled Dimming Power Supplies:

| MODEL | POWER | OUTPUT | DIMMING | LOCATION |
|------------------|--------------|-------------|-------------------------|----------|
| PSV | 96 | 24 | ENL | D |
| PSV - PSV Series | 96 - 96 Watt | 24 - 24 VDC | ENL - Enlighted Dimming | D - Damp |

| MODELS | 96W |
|-----------------|--------|
| A Length | 14.40" |
| B Width | 5.20" |
| Depth | 2.60" |



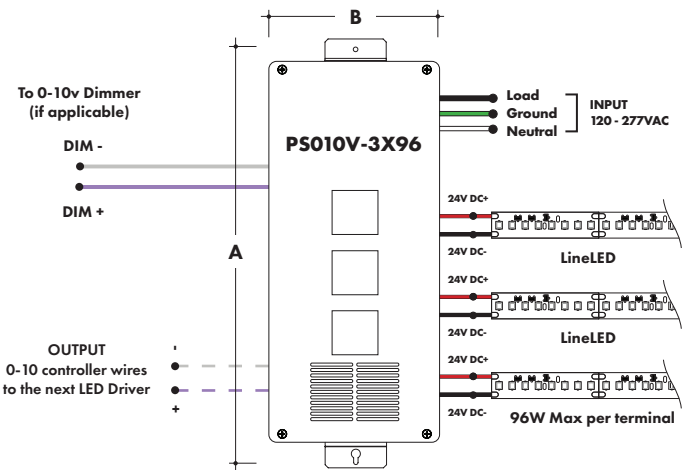
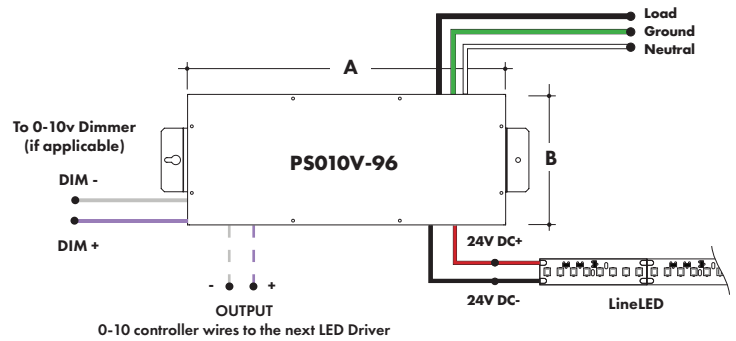
Power Supply

See fixture and power supply instructions & spec sheet for wiring information. Dimming possible in select models - view Luminii website for list of compatible dimmers.

0-10V Dimming Power Supplies

| MODEL | POWER | OUTPUT | DIMMING |
|--|------------------------------------|-------------|-----------------------------------|
| PS010V | 96 | 24 | LIN |
| PS010V - 0-10V Power Supply dims down to 0% | 96 - 96 Watt 3X96 - 3 X 96 Watt | 24 - 24 VDC | LIN - Linear LOG - Logarithmic |

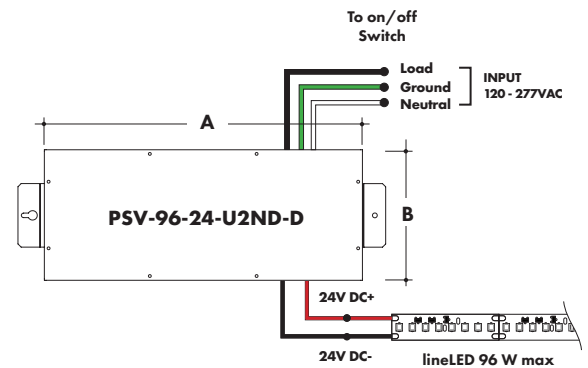
| MODELS | 96W | 3X96 |
|-----------------|--------|--------|
| A Length | 14.40" | 15.75" |
| B Width | 5.20" | 6.62" |
| Depth | 2.60" | 4.95" |



Non-Dimming Power Supply

| MODEL | POWER | OUTPUT | DIMMING | LOCATION |
|------------------|--------------|-------------|--------------------|----------|
| PSV | 96 | 24 | U2ND | D |
| PSV - PSV Series | 96 - 96 Watt | 24 - 24 VDC | U2ND - Non Dimming | D - Damp |

| MODELS | 96W |
|-----------------|--------|
| A Length | 14.40" |
| B Width | 5.20" |
| Depth | 2.60" |



Power Supply

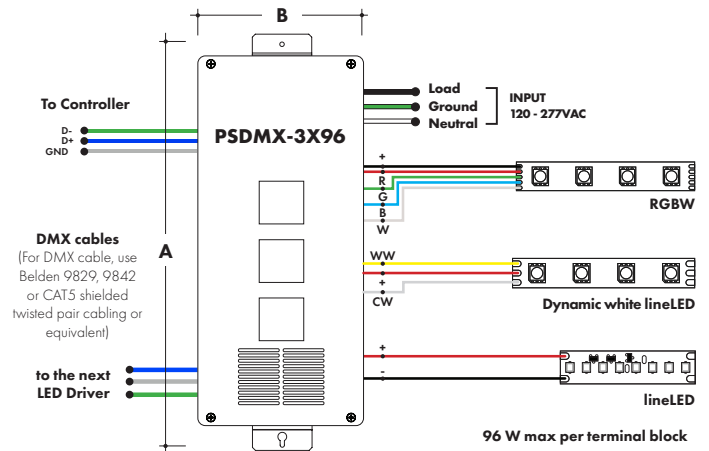
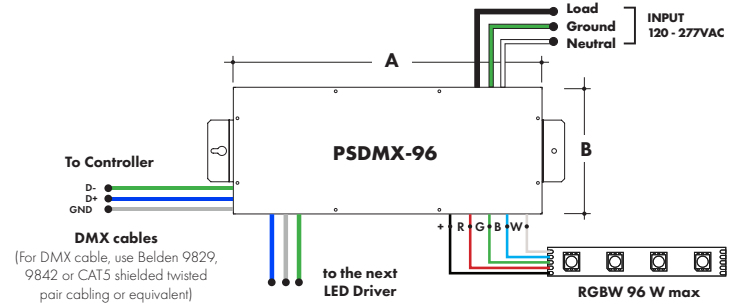
See fixture and power supply instructions & spec sheet for wiring information. Dimming possible in select models - view luminii website for list of compatible dimmers.

DMX Dimming Power Supplies

| MODEL | POWER | OUTPUT |
|--------------------------|------------------------------------|-------------|
| PSDMX | 96 | 24 |
| PSDMX - DMX Power Supply | 96 - 96 Watt 3X96 - 3 X 96 Watt | 24 - 24 VDC |

Features eldoLED's LINEARdrive configurable dimmable drivers

| MODELS | 96W | 3X96 |
|-----------------|--------|--------|
| A Length | 14.40" | 15.75" |
| B Width | 5.20" | 6.62" |
| Depth | 2.60" | 4.95" |

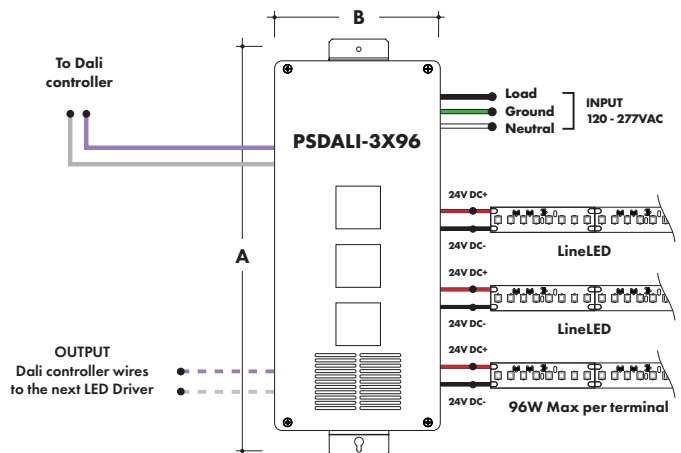
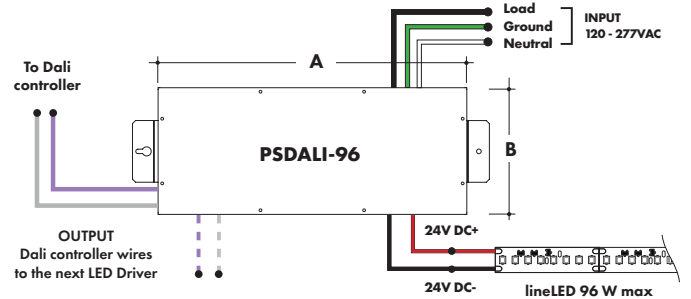


DALI Dimming Power Supplies

| MODEL | POWER | OUTPUT |
|----------------------------|------------------------------------|--------------------------------|
| PSDALI | 96 | 24 |
| PSDALI - DALI Power Supply | 96 - 96 Watt 3X96 - 3 X 96 Watt | 24 - 24 VDC dims down to 0% |

Features eldoLED's LINEARdrive configurable dimmable drivers

| MODELS | 96W | 3X96 |
|-----------------|--------|--------|
| A Length | 14.40" | 15.75" |
| B Width | 5.20" | 6.62" |
| Depth | 2.60" | 4.95" |



Power Supply

See fixture and power supply instructions & spec sheet for wiring information. Dimming possible in select models - view Luminii website for list of compatible dimmers.



Luminii is a Lutron OEM Advantage Partner

MODEL

LTEA4U1UKL-CV240

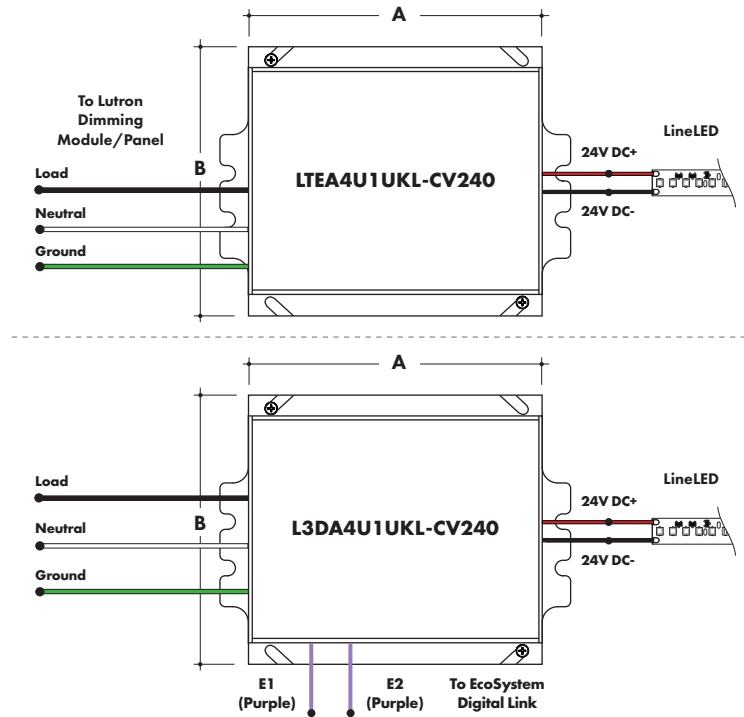
Lutron - HiLume™ 1% 2-wire LED Driver
(120V forward phase only)

MODEL

L3DA4U1UKL-CV240

HiLume™ 1% EcoSystem Voltage LED driver

| MODELS | LTEA4U1UKL-CV240 | L3DA4U1UKL-CV240 |
|-----------------|------------------|------------------|
| A Length | 4.89" | 4.98" |
| B Width | 4.00" | 4.00" |
| Depth | 2.62" | 2.62" |



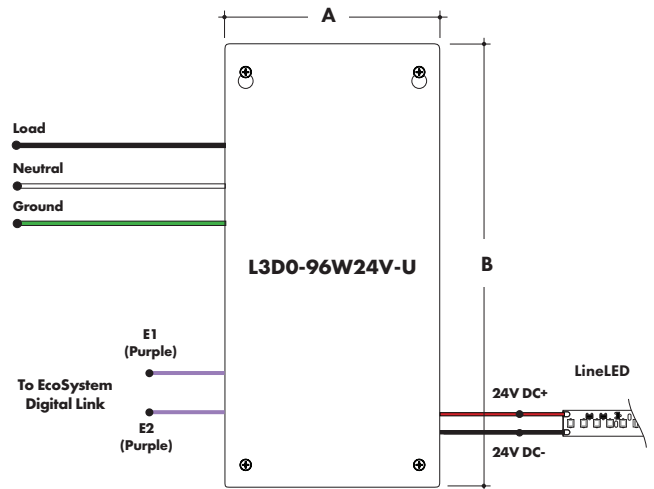
Luminii is a Lutron OEM Advantage Partner

MODEL

L3D0-96W24V-U

HiLume™ 0.1% EcoSystem Voltage LED Driver with Soft-On, Fade-to-Black™

| MODELS | L3D0 |
|-----------------|--------|
| A Length | 10.50" |
| B Width | 5.50" |
| Depth | 2.00" |



Power Supply

See fixture and power supply instructions & spec sheet for wiring information. Dimming possible in select models - view Luminii website for list of compatible dimmers.

In ground, Electronic Low Voltage Dimming Power Supplies

| MODEL | POWER | OUTPUT | INPUT |
|--|--------------------|-------------|----------------------------------|
| IG - CVE | 96X2 | 24 | Blank - 120 V 277 - 240/277 V |
| IG - In ground CVE Series | 96X2 - 2 X 96 Watt | 24 - 24 VDC | |
| CVE - ELV Dimming DALI - eldoLED Dali dimming | | | |
| Both dims down to 0.1% | | | |

| MODELS | Dual Circuit |
|-----------------|--------------|
| A Length | 8.40" |
| B Width | 8.30" |
| Depth | 8.10" |

