

Wing - Installation Instructions for M1F Mounting Models W1-

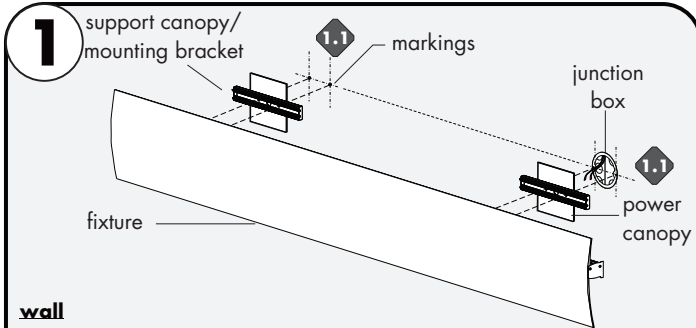
Please read all instructions prior to installation and keep for future reference!

1. PRODUCT TO BE INSTALLED BY A QUALIFIED ELECTRICIAN.
2. USE ONLY WITH CLASS 2 POWER UNIT
3. 24 VOLTS DC
4. SUITABLE FOR DAMP LOCATIONS
5. SURFACE MOUNT ONLY
6. SUITABLE FOR INSTALLATION WITHIN THE CLOSET STORAGE SPACE
7. TYPE IC
8. INHERENTLY PROTECTED



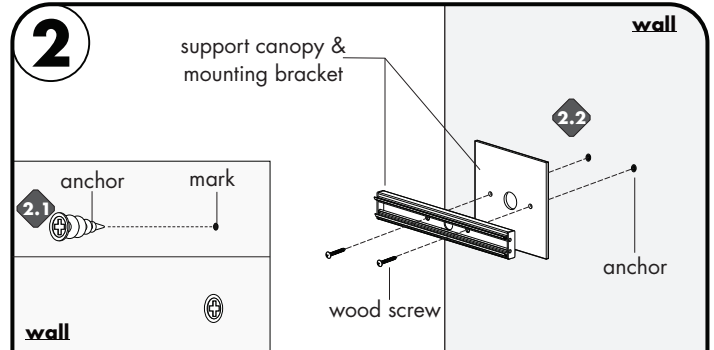
luminii

7777 Merrimac Ave
Niles, IL 60714
T 224.333.6033
F 224.757.7557
info@luminii.com
www.luminii.com



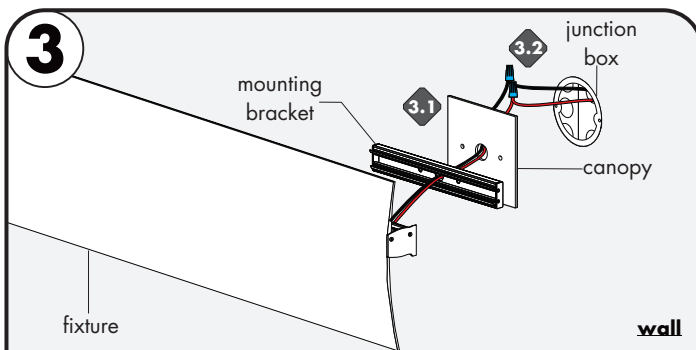
Note: One of the two canopy & mounting bracket is for the junction box, where as the other canopy & mounting bracket is used for an additional support to the wall.

1.1 Align & center the fixture to the junction box, and make any necessary markings to install the support canopy & mounting bracket to the drywall.



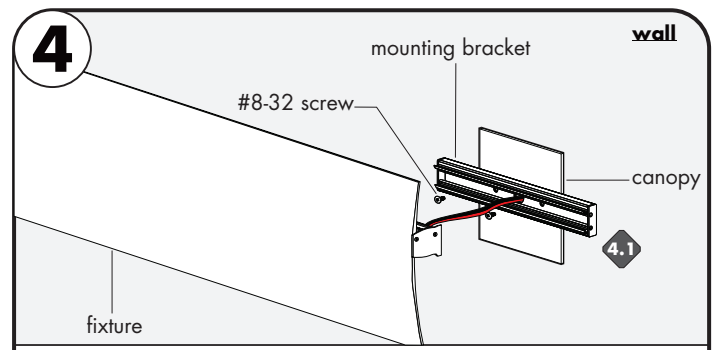
2.1 For the support canopy & mounting bracket, align and then tap each anchor onto the marks until the threaded section. Followed by tightening the anchors with a Phillips screw driver.

2.2 Align the support canopy & mounting bracket to the anchors and tighten the wood screws to secure into anchors.



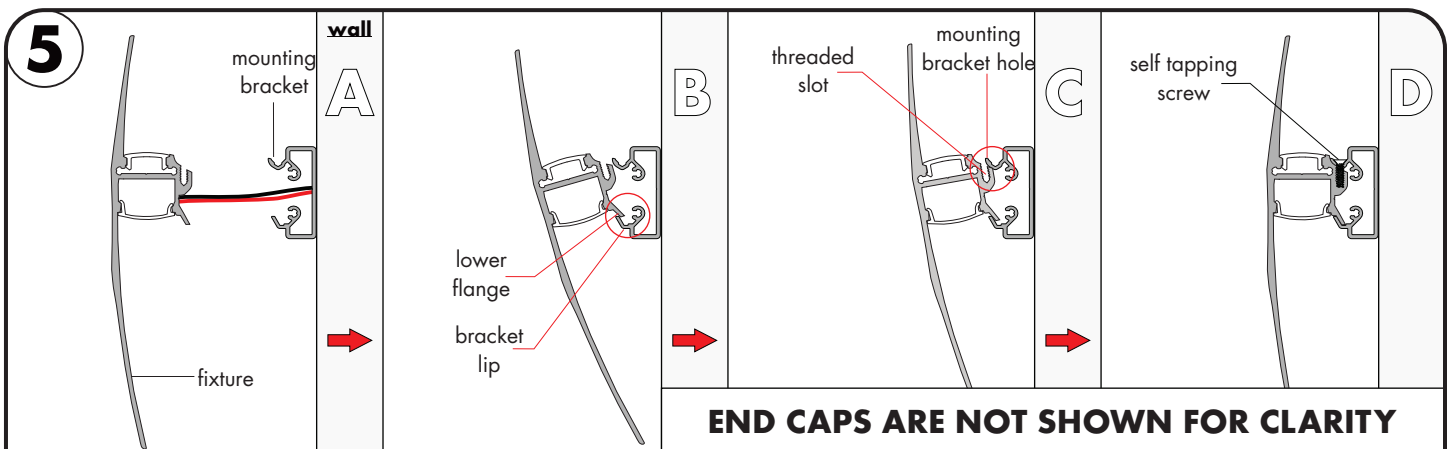
3.1 While holding the fixture feed the other mounting bracket and canopy into the fixture wires.

3.2 Connect the red (24VDC+) & black (24VDC-) power supply wires to the fixture red & black wires.



Note: Use the provided universal crossbar if canopy does not align to the junction box holes.

4.1 Insert the wire nut connections into the junction box. Align the canopy & mounting bracket to the junction box holes and secure using the provided two #8-32 screw.



END CAPS ARE NOT SHOWN FOR CLARITY

5.1 Insert the fixture lower flange into the mounting bracket lip. Then push the fixture threaded slot to the mounting bracket holes and secure using the provided self tapping screws, refer to diagram above for reference.

Wing - Installation Instructions for M1F Mounting Models W1-

Please read all instructions prior to installation and keep for future reference!

1. PRODUCT TO BE INSTALLED BY A QUALIFIED ELECTRICIAN.
2. USE ONLY WITH CLASS 2 POWER UNIT
3. 24 VOLTS DC
4. SUITABLE FOR DAMP LOCATIONS
5. SURFACE MOUNT ONLY
6. SUITABLE FOR INSTALLATION WITHIN THE CLOSET STORAGE SPACE
7. TYPE IC
8. INHERENTLY PROTECTED



luminii

7777 Merrimac Ave
Niles, IL 60714
T 224.333.6033
F 224.757.7557
info@luminii.com
www.luminii.com

Page 2 of 2

