

0-10 Warm Dim 96 watt LED Driver - Installation Instructions

Models PS010WD-96-24



T 224.333.6033
www.opticarts.com

Please read all instructions prior to installation and keep for future reference!

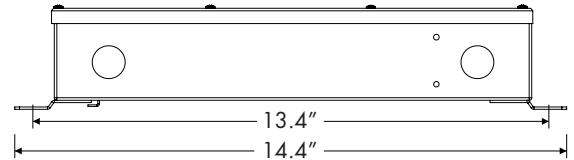
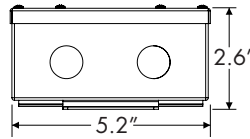


PLENUM FOR SUCH USE IN ACCORDANCE WITH UL2043

This LED Driver is to be installed in accordance with Article 450 of the National Electrical Code. The LED Driver must be installed in a well ventilated area and free from explosive gases and vapors. Proper operation requires the free flow of air. As this LED Driver is hardwired, it should only be installed by a qualified electrician. Suitable For Damp Location.

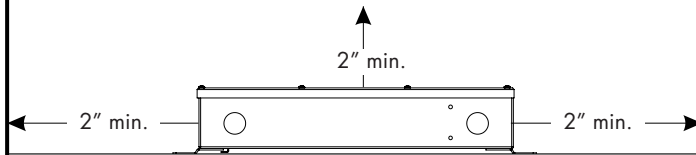
Page 1 of 2

Input	120 - 277V AC, 1.1A, 50/60Hz
Output	24V DC, 4.0A
Max. wattage	96 W



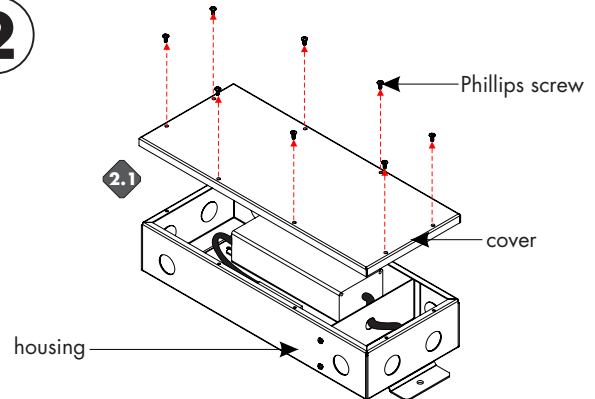
1

Before installing, check the label and ensure the LED Driver has the proper input voltage, output voltage, and wattage for the job. Check the wire markings to ensure they match the wiring diagram below. Refer to table above for the maximum loads!



1.1 LED Driver can be mounted vertically or horizontally. With a minimum of 2" clearance around LED Driver to provide proper air circulation.

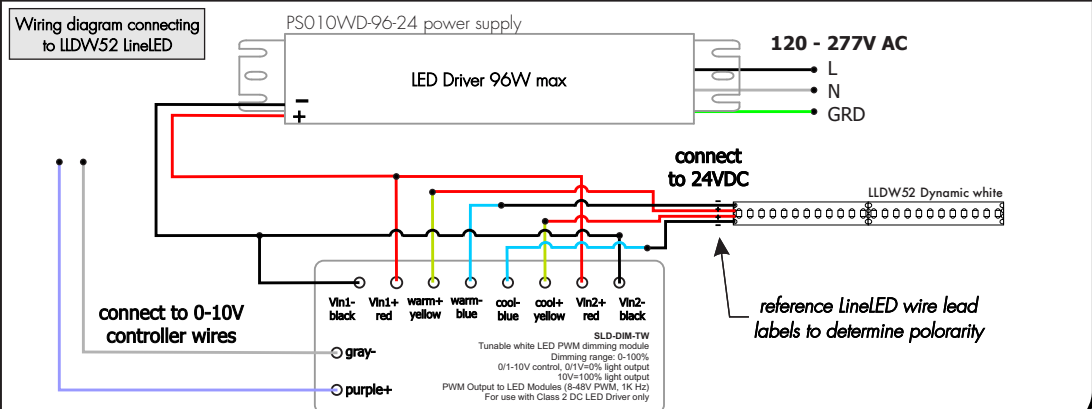
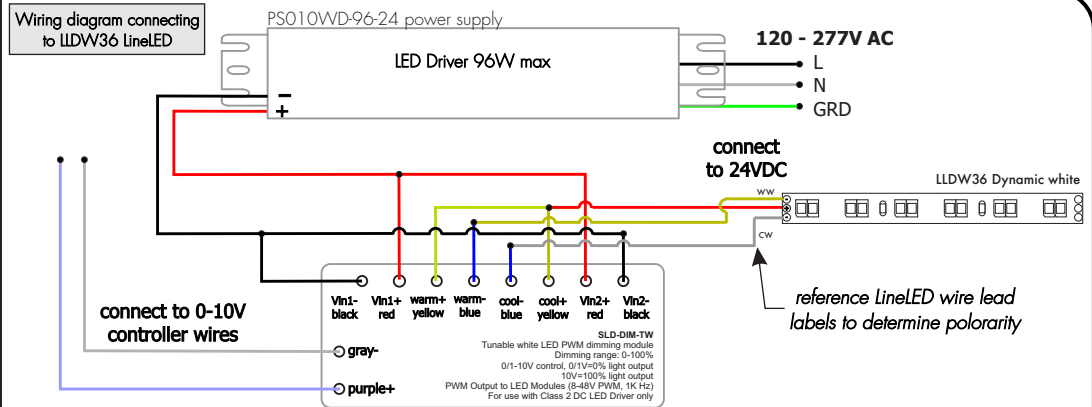
2



2.1 Remove the eight Phillips screws from the top of the driver housing and pull the cover off to expose the driver wires.

3

3.1 Connect the 120-277V AC power into the housing from the electrical panel. Followed by connecting the 24V DC low voltage conduit, one for the LED & other for the controller wires. Refer to the diagram below to make all the proper wiring connections.



0-10 Warm Dim 96 watt LED Driver - Installation Instructions

Models PS010WD-96-24



Please read all instructions prior to installation and keep for future reference!

This LED Driver is to be installed in accordance with Article 450 of the National Electrical Code. The LED Driver must be installed in a well ventilated area and free from explosive gases and vapors. Proper operation requires the free flow of air. As this LED Driver is hardwired, it should only be installed by a qualified electrician. Suitable For Damp Location.



PLENUM FOR SUCH USE IN ACCORDANCE WITH UL2043

T 224.333.6033
www.opticarts.com

Page 2 of 2

4

4.1 Insert the wire nut connections in the driver housing and close housing cover and secure using the 8 screws.

