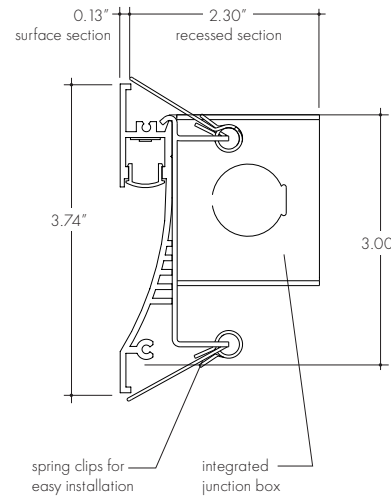


The Wall+ fixture is designed to be installed into the wall and illuminate the floor or the ceiling. The extruded aluminum body of the fixture provides outstanding heat sink capabilities allowing high power LED use. Specifically designed LED engine provides constant illumination levels from the beginning to the end of the runs. Wall+ is available in multiple lengths and comes with an integrated junction box for electrical connections. Pre-installed spring clips allow fast and easy installation on 1/2" or thicker drywall. Individual fixtures connect easily together to reach long continuous run with no visible dark spots. Suitable for indoor applications. Class 2 listed for damp locations



IC RATED

RoHS



Finish options



Black powder coated



Bronze powder coated



Silver anodized



White powder coated

Technical information

Output Options

Output type	MO (LL54)	HO (LL72)	VHO (LL48HE-HO)
Lumens at 3000K	203 lm/ft	266 lm/ft	419 lm/ft
Average power consumption at 4'	5.2 W/ft	6.5 W/ft	5.9 W/ft
Maximum system length <i>Achievable via feed through fixture wiring.</i>	26'	18'	17'
Operating Voltage	24VDC	24VDC	24VDC

CCT INFO / LUMEN MULTIPLIER

Color Temperature	Multiplier (reference - 3000K)	TM-30-15		
		CRI	R _f	R _g
1900K	0.63	96	94	97
2200K	0.68	96	95	101
2400K	0.72	98	97	101
2700K	0.76	97	96	101
2900K	0.82	98	96	102
3000K	1.00	97	95	104
3500K	1.05	97	94	105
4100K	1.37	97	90	99

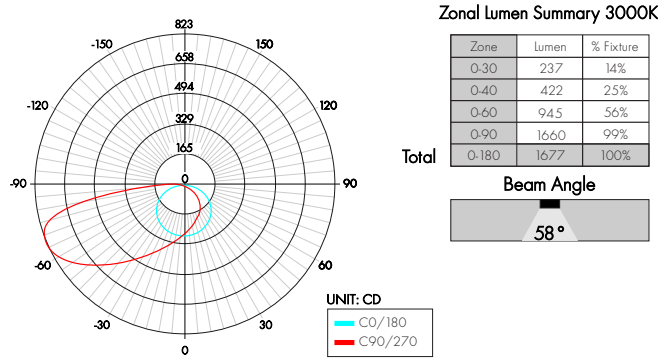
Ordering code

MODEL	LENGTH	CCT	OUTPUT	LENS	FINISH	LEFT END	RIGHT END
WP	48	19K	MO	F	SA	LE	RE
WP - Wall+	8" - 120" 4" increments (VHO lengths up to 108")	19K - 1900K 22K - 2200K 24K - 2400K 27K - 2700K 29K - 2900K 30K - 3000K 35K - 3500K 41K - 4100K	MO - Medium HO - High VHO - Very High	F - Frosted	SA - Silver anodized BK - Black powder coated BZ - Bronze powder coated WH - White powder coated	*LE - W/ end cap LN - WO/ end cap	*RE - W/ end cap RN - WO/ end cap

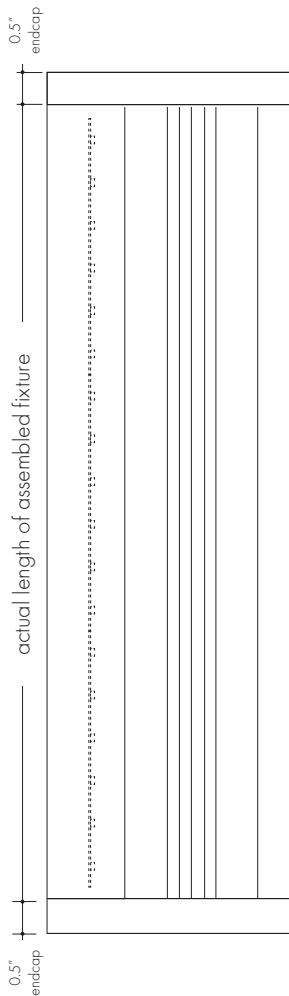
* Select for a straight run independently of the system

Photometry

WP-48-30K-VHO-FXX



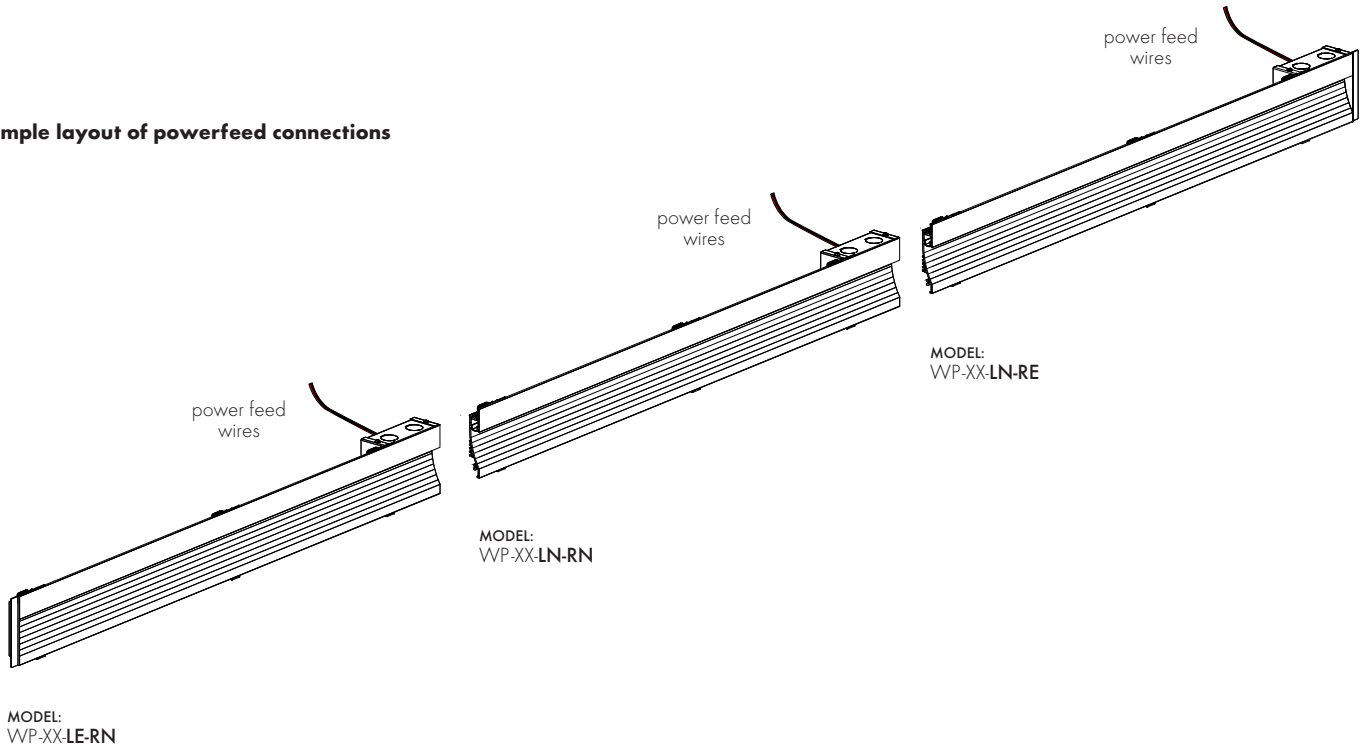
Power consumption per linear foot - loads tested with PSD series of power supplies



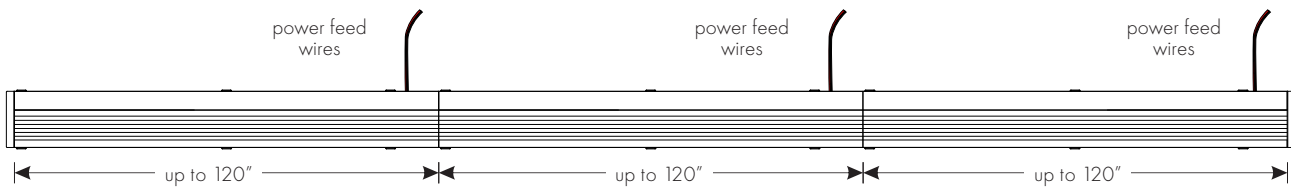
Nominal Length	Actual Length	MO		Actual Length	HO		Actual Length	VHO	
		W/ft	Total wattage		W/ft	Total wattage		W/ft	Total wattage
8"	9-14/16"	5.35	3.55	9-14/16"	6.75	4.50	9-13/16"	5.90	5.02
12"	13-13/16"	5.35	5.30	13-13/16"	6.75	6.75	13-13/16"	5.90	5.92
16"	17-12/16"	5.33	7.06	17-11/16"	6.75	9.00	17-12/16"	5.90	7.89
20"	21-12/16"	5.31	8.82	21-11/16"	6.75	11.25	21-11/16"	5.90	9.87
24"	25-11/16"	5.30	10.60	25-10/16"	6.75	13.50	25-10/16"	5.90	11.84
28"	29-9/16"	5.28	12.33	29-9/16"	6.75	16.75	29-9/16"	5.91	13.81
32"	33-9/16"	5.26	14.06	33-8/16"	6.75	19.00	33-8/16"	5.91	15.79
36"	37-8/16"	5.25	15.80	37-7/16"	6.65	19.95	37-7/16"	5.91	17.76
40"	41-7/16"	5.23	17.40	42-6/16"	6.65	22.20	41-6/16"	5.92	19.73
44"	45-6/16"	5.21	19.00	46-5/16"	6.65	24.40	45-5/16"	5.92	21.71
48"	49-5/16"	5.20	20.60	50-4/16"	6.55	26.20	49-4/16"	5.92	23.68
52"	54-9/16"	5.18	22.40	54-3/16"	6.55	28.50	53-3/16"	5.92	25.65
56"	58-8/16"	5.16	24.20	58-2/16"	6.55	30.50	57-2/16"	5.92	27.63
60"	62-7/16"	5.15	26.00	62-1/16"	6.45	32.25	61-1/16"	5.92	29.60
64"	66-6/16"	5.13	27.60	66 "	6.45	34.40	66-15/16"	5.93	31.57
68"	70-5/16"	5.11	29.20	69-15/16"	6.45	36.55	70-14/16"	5.93	33.55
72"	74-4/16"	5.10	30.80	73-14/16"	6.40	38.40	74-13/16"	5.93	35.52
76"	78-3/16"	5.08	32.40	77-13/16"	6.40	40.50	78-12/16"	5.92	37.49
80"	82-3/16"	5.06	34.00	81-12/16"	6.40	43.00	82-12/16"	5.92	39.47
84"	86-2/16"	5.05	35.70	85-11/16"	6.25	43.75	86-10/16"	5.91	41.44
88"	90 "	5.03	37.10	89-10/16"	6.25	46.00	90-9/16"	5.91	43.41
92"	93-15/16"	5.01	38.50	93-9/16"	6.25	48.00	94-8/16"	5.92	45.39
96"	97-15/16"	5.00	40.00	98-8/16"	6.15	49.20	98-7/16"	5.92	47.36
100"	101-14/16"	4.98	41.60	102-7/16"	6.15	51.25	102-7/16"	5.93	49.33
104"	105-13/16"	4.96	43.20	106-5/16"	6.15	53.00	106-5/16"	5.93	51.31
108"	109-12/16"	4.95	44.80	110-5/16"	6.00	54.00	110-4/16"	5.94	53.28
112"	113-11/16"	4.93	46.20	114-4/16"	6.00	56.00	114-3/16"	5.94	55.25
116"	117-10/16"	4.91	47.60	118-3/16"	6.00	58.00	118-2/16"	5.94	57.23
120"	121-10/16"	4.90	48.90	122-2/16"	5.90	59.00	122-2/16"	5.94	59.20

Actual lengths are measured without endcaps

Sample layout of powerfeed connections



join fixtures together



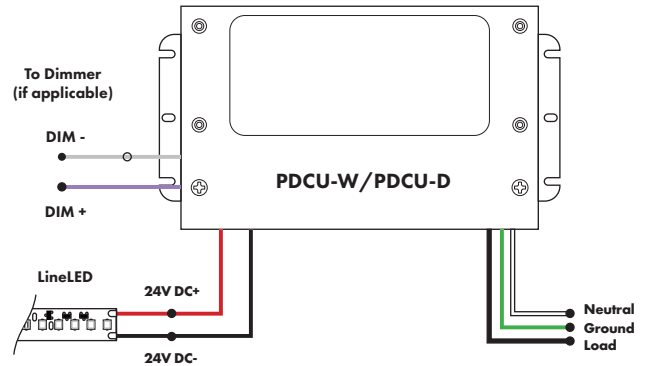
Power Supply

See fixture and power supply instructions & spec sheet for wiring information. Dimming possible in select models - view Luminii website for list of compatible dimmers.

Universal Power Supply

MODEL	POWER	OUTPUT
PDCU-W	96	24
PDCU-W - IP66 Wet Series	96 - 96 W 3X96 - 3X96 W	24 - 24 VDC
PDCU-D - IP20 Dry Series	30 - 30 W 60 - 60 W 96 - 96 W 3X96 - 3X96 W	

0-10V - 1% dimming
MLV/ELV/TRIAC - 1% dimming, consult dimming compatibility chart
Compatibility:
View a complete list of compatible dimmers on product page ([Link](#))

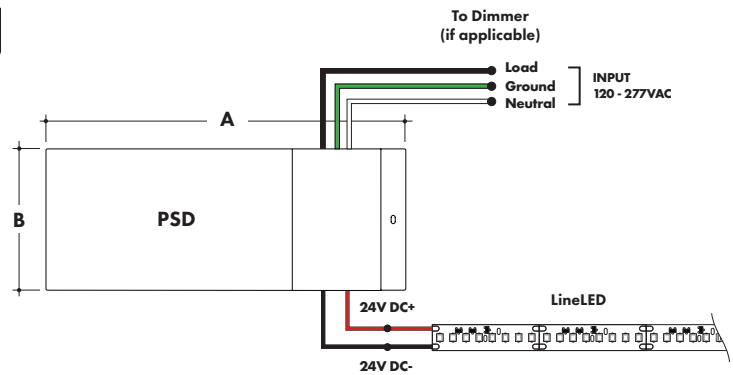


MODELS	PDCU-W 96W	PDCU-W 3X96W	PDCU-D 30W	PDCU-D 60W	PDCU-D 96W	PDCU-D 3X96W
A Length	8.66"	11.85"	6.10"	7.93"	8.25"	9.57"
B Width	3.73"	4.32"	3.35"	3.35"	4.10"	5.94"
Depth	1.61"	1.81"	1.33"	1.32"	1.56"	1.13"

Magnetic Low Voltage Dimming Power Supplies

MODEL	POWER	OUTPUT	INPUT
PSD	48	24	
PSD - PSD Series dims down to 0%	48 - 48 Watt 96 - 96 Watt 288 - 288 Watt (3 x 96Watt)	24 - 24 VDC	Blank - 120 V 240 - 240 V 277 - 277 V

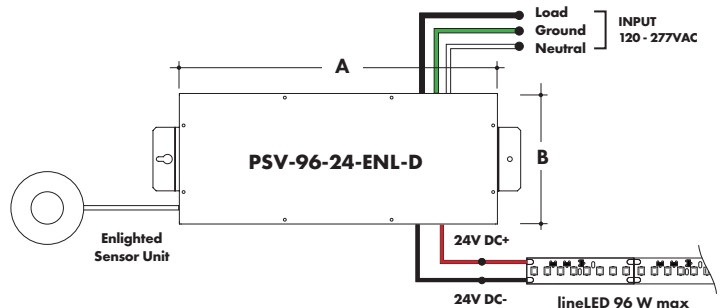
MODELS	48W	96W	288W
A Length	11.25"	11.25"	13.06"
B Width	3.42"	3.42"	8.42"
Depth	3.42"	3.27"	4.47"



Enlighted Enabled Dimming Power Supplies:

MODEL	POWER	OUTPUT	DIMMING	LOCATION
PSV	96	24	ENL	D
PSV - PSV Series	96 - 96 Watt	24 - 24 VDC	ENL - Enlighted Dimming	D - Damp

MODELS	96W
A Length	14.40"
B Width	5.20"
Depth	2.60"



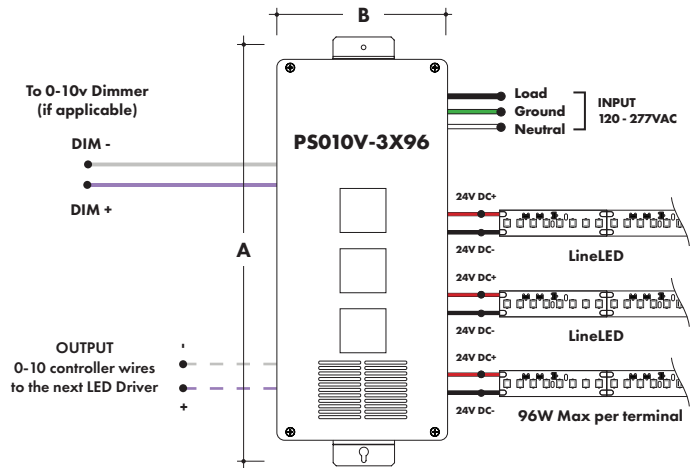
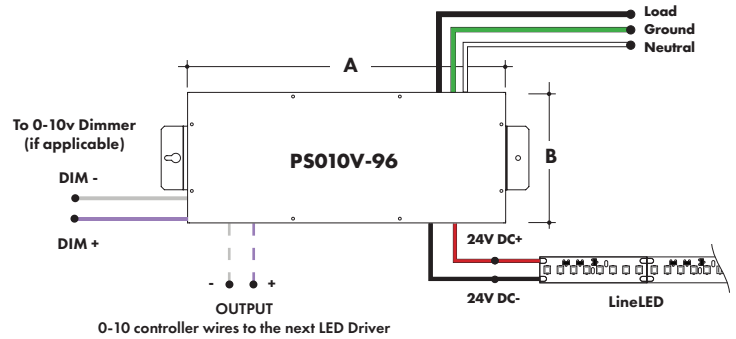
Power Supply

See fixture and power supply instructions & spec sheet for wiring information. Dimming possible in select models - view Luminii website for list of compatible dimmers.

0-10V Dimming Power Supplies

MODEL	POWER	OUTPUT	DIMMING
PS010V	96	24	LIN
PS010V - 0-10V Power Supply dims down to 0%	96 - 96 Watt 3X96 - 3 X 96 Watt	24 - 24 VDC	LIN - Linear LOG - Logarithmic

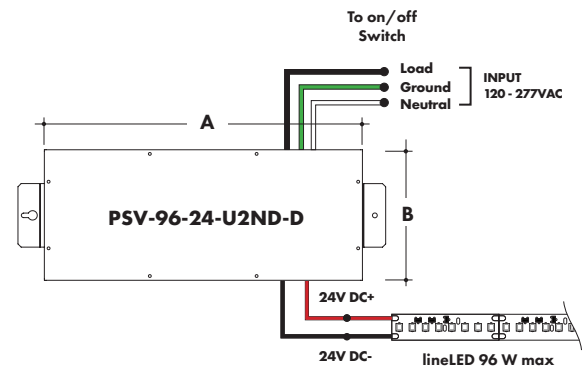
MODELS	96W	3X96
A Length	14.40"	15.75"
B Width	5.20"	6.62"
Depth	2.60"	4.95"



Non-Dimming Power Supply

MODEL	POWER	OUTPUT	DIMMING	LOCATION
PSV	96	24	U2ND	D
PSV - PSV Series	96 - 96 Watt	24 - 24 VDC	U2ND - Non Dimming	D - Damp

MODELS	96W
A Length	14.40"
B Width	5.20"
Depth	2.60"



Power Supply

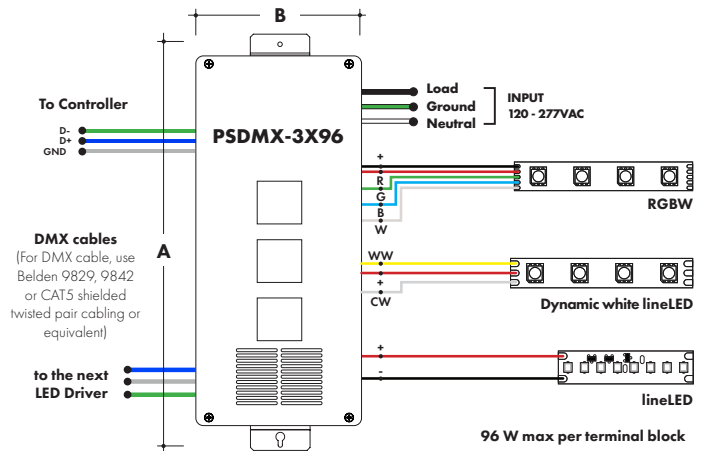
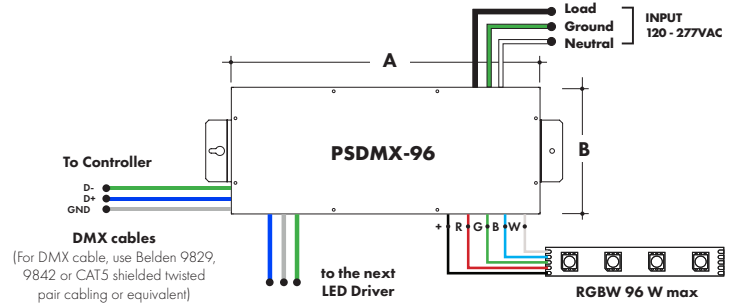
See fixture and power supply instructions & spec sheet for wiring information. Dimming possible in select models - view Luminii website for list of compatible dimmers.

DMX Dimming Power Supplies

MODEL	POWER	OUTPUT
PSDMX	96	24
PSDMX - DMX Power Supply	96 - 96 Watt 3X96 - 3 X 96 Watt	24 - 24 VDC

Features eldoLED's LINEARdrive configurable dimmable drivers

MODELS	96W	3X96
A Length	14.40"	15.75"
B Width	5.20"	6.62"
Depth	2.60"	4.95"

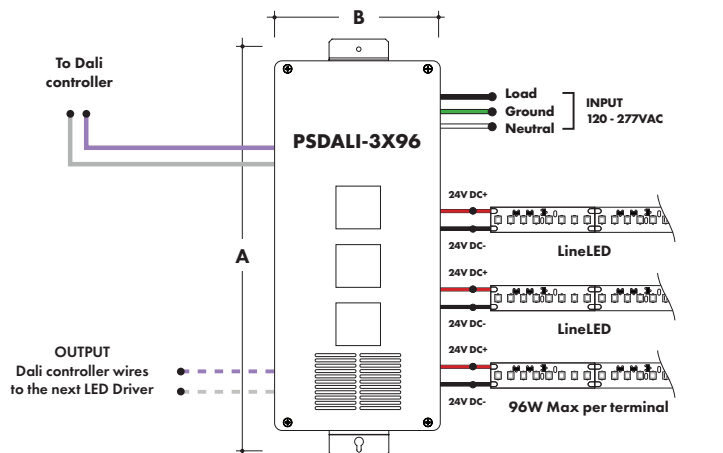
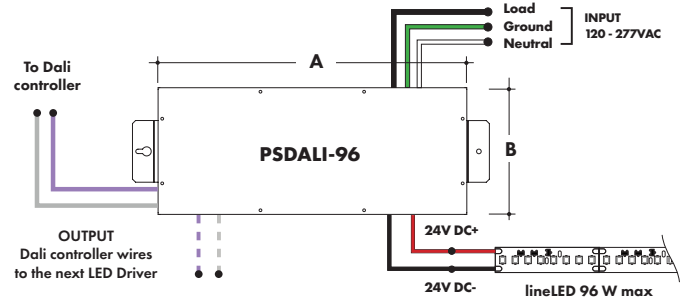


DALI Dimming Power Supplies

MODEL	POWER	OUTPUT
PSDALI	96	24
PSDALI - DALI Power Supply	96 - 96 Watt 3X96 - 3 X 96 Watt dims down to 0%	24 - 24 VDC

Features eldoLED's LINEARdrive configurable dimmable drivers

MODELS	96W	3X96
A Length	14.40"	15.75"
B Width	5.20"	6.62"
Depth	2.60"	4.95"



Power Supply

See fixture and power supply instructions & spec sheet for wiring information. Dimming possible in select models - view Luminii website for list of compatible dimmers.



Luminii is a Lutron OEM Advantage Partner

MODEL

LTEA4U1UKL-CV240

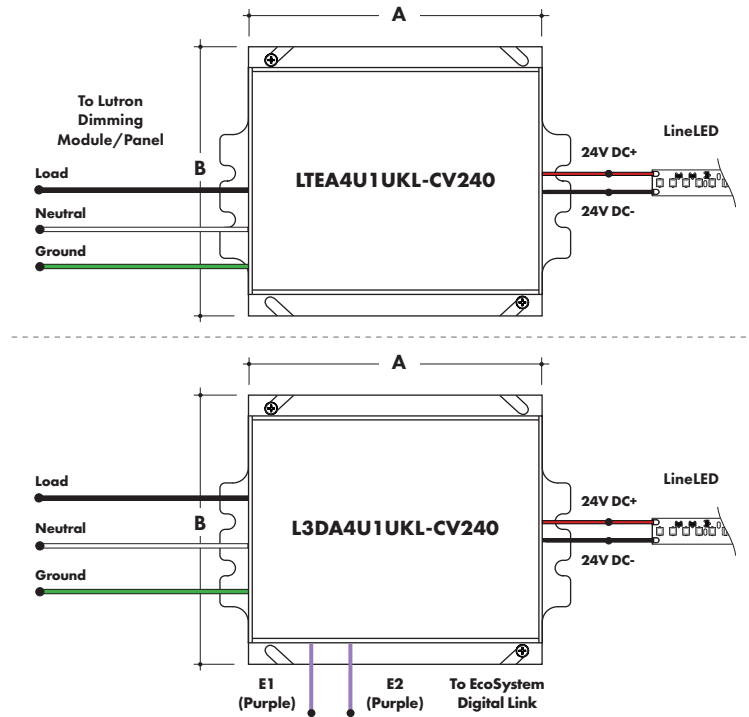
Lutron - HiLume™ 1% 2-wire LED Driver
(120V forward phase only)

MODEL

L3DA4U1UKL-CV240

HiLume™ 1% EcoSystem Voltage LED driver

MODELS	LTEA4U1UKL-CV240	L3DA4U1UKL-CV240
A Length	4.89"	4.98"
B Width	4.00"	4.00"
Depth	2.62"	2.62"



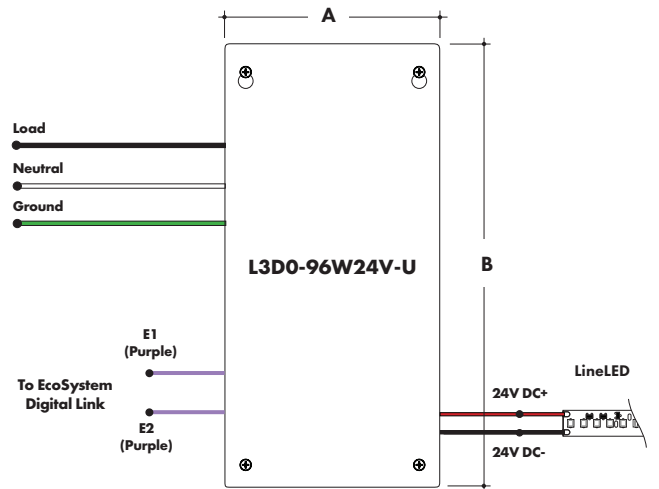
Luminii is a Lutron OEM Advantage Partner

MODEL

L3D0-96W24V-U

HiLume™ 0.1% EcoSystem Voltage LED Driver with Soft-On, Fade-to-Black™

MODELS	L3D0
A Length	10.50"
B Width	5.50"
Depth	2.00"



Power Supply

See fixture and power supply instructions & spec sheet for wiring information. Dimming possible in select models - view Luminii website for list of compatible dimmers.

In ground, Electronic Low Voltage Dimming Power Supplies

MODEL	POWER	OUTPUT	INPUT
IG - CVE	96X2	24	
IG - In ground CVE Series CVE - ELV Dimming DALI - eldoLED Dali dimming Both dims down to 0.1%	96X2 - 2 X 96 Watt	24 - 24 VDC	Blank - 120 V 277 - 240/277 V

MODELS	Dual Circuit
A Length	8.40"
B Width	8.30"
Depth	8.10"

