

VESTA 2 TL

COLOR TUNABLE LINEAR TRIMLESS (DRYWALL)



Vesta 2 TL - Trimless recessed linear LED system. The Vesta 2 VTL is a trimless recessed linear LED system for drywall ceilings. Part of the Vesta collection, this fixture is designed for applications where the light is meant to be fully integrated in its environment. Powerful LED combined with a seamless, high-performance lens provide optimal lighting. Easy to install, the Vesta 2 TL fixture features integrated driver and uses brackets to secure it to the ceiling or wall surface. Single sections come in lengths of up to 12 feet, and continuous runs are available in any length.

Ordering Code



Product Specifications

SAMPLE: 358 - 90 - 8 - 2765 - 25 - 08 - STD - 120 - DB

1 - Model	2 - CRI	3 - Length	4 - CCT	5 - Lens	6 - Lumen
358 · Vesta 2 Trimless	90 · 90+	2 · 22.5" 4 · 44.5" 6 · 66.5" 8 · 88.5" 10 · 110.5" 12 · 132.5" A-T · More Lengths* ¹ XX · System* ²	2765 · 2700K - 6500K	25 · Frosted Symmetric	04 · 418 lm/ft @ 4000K (4.8W) 06 · 592 lm/ft @ 4000K (7.2W) 08 · 776 lm/ft @ 4000K (9.6W)
7 - Driver	Dim Level	8 - Voltage	9 ³ - Mounting	10 - LED Control	
DALI · Dali Protocol DMX · Senso CSMB · Casambi Wireless Control	0.1%	120 · 120V 277 · 277V	DB · Drywall Bracket AC · Aircraft Cable	01 · Standard 21 · Emergency Battery Back-Up (4 foot section)	

*1 See page four for more detailed lengths

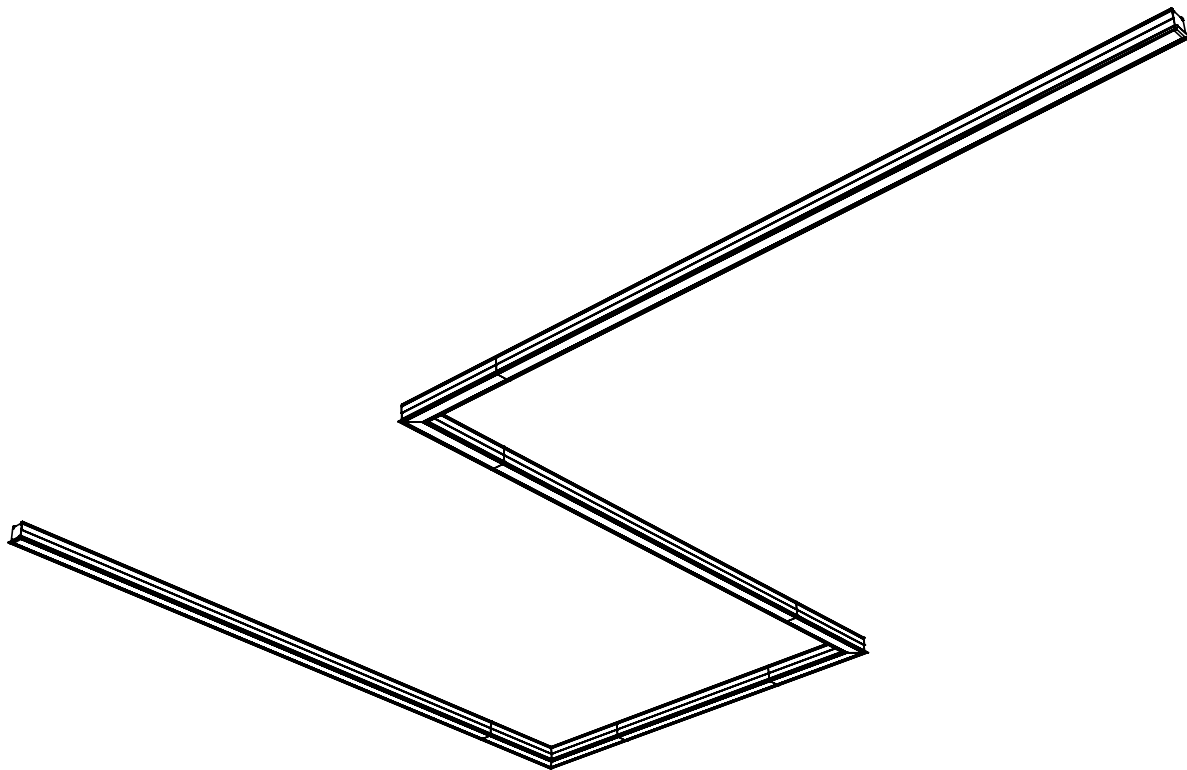
*2 See page two for more details

*3 See page three for more details

Project : _____
 Quantity : _____
 Type : _____
 Notes : _____

Continuous Layout Using Corners Only

The Vesta 2 system is not limited to straight runs. Available L nodes, used in association with linear sections, provide freedom to create seamless configurations. Linear sections are available in 22.5inch increment.



How To Specify

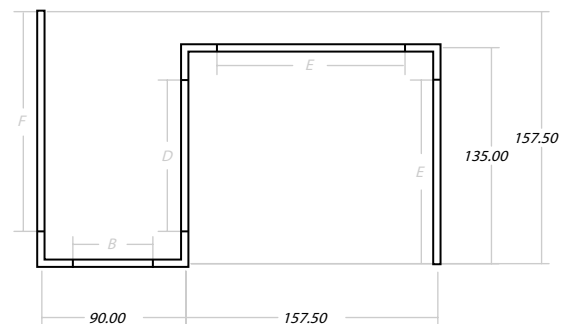
1. Draw your layout, as seen from bottom, considering:
 - Drawings are made using center axis as reference
 - Minimum 45inch between contiguous corners
 - 22.5inch increment
2. Provide the following information
 - Total number of corners
 - Total length
 - Drawing

Using example:

corners = 3

Total length = $157.5 + 90 + 135 + 157.5 = 540$ inch

Example Of Layout



Advanced Intersecting System Using T & X Nodes

For advanced configurations, contact the Senso factory to complete your system.



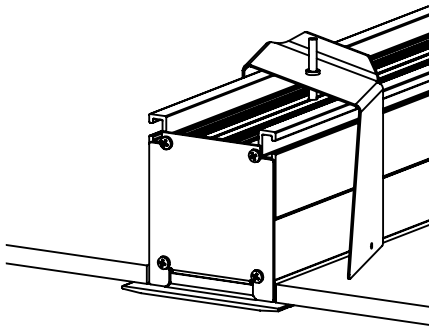
VESTA 2 TL

COLOR TUNABLE LINEAR TRIMLESS (DRYWALL)

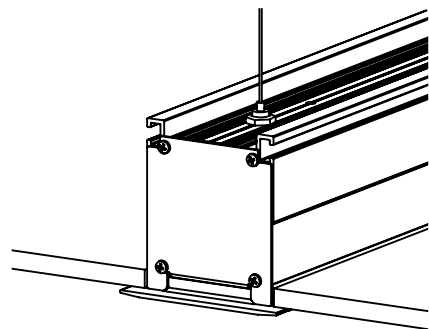
Light Engine

- High Efficacy :** Up to 170 lumen/Watt
- Color Options (CCT) :** 2700K - 6200K
- Color Consistency :** 3-step MacAdam Ellipse
- Color Rendering (CRI) :** 90+
- Lumen Maintenance :** 50,000 hours

Mounting Option



U Bracket



Aircraft Cable

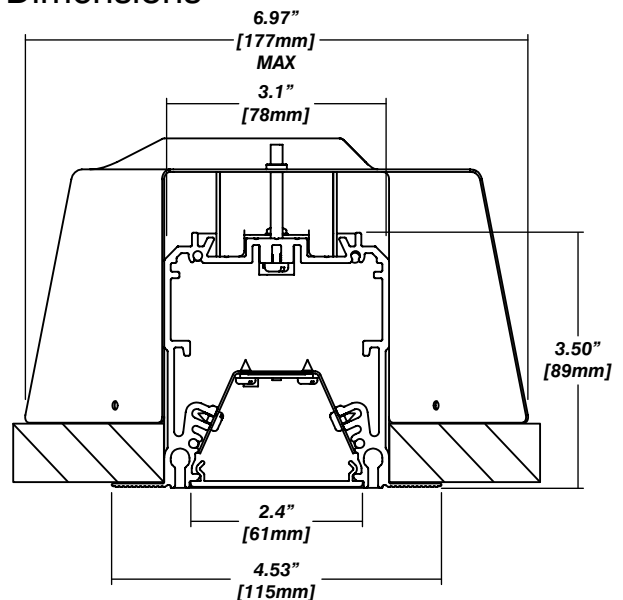
Installation

The standard length are meant to provide optimal lighting of the illuminating surface, without dark or hot spots. These are defined by the LED board we use. Fixtures can also be provided at specific length if required. End plates will be used to complete the section to the exact length to avoid dark spots. Two option available for mounting (drywall and aircraft cable).

Construction

- Powder coated in white, black or silver
- Custom finish are available
- Housing: Aluminum extrusion
- Made in Canada

Dimensions



VESTA 2 TL

COLOR TUNABLE LINEAR TRIMLESS (DRYWALL)



Vesta Cut Lengths

