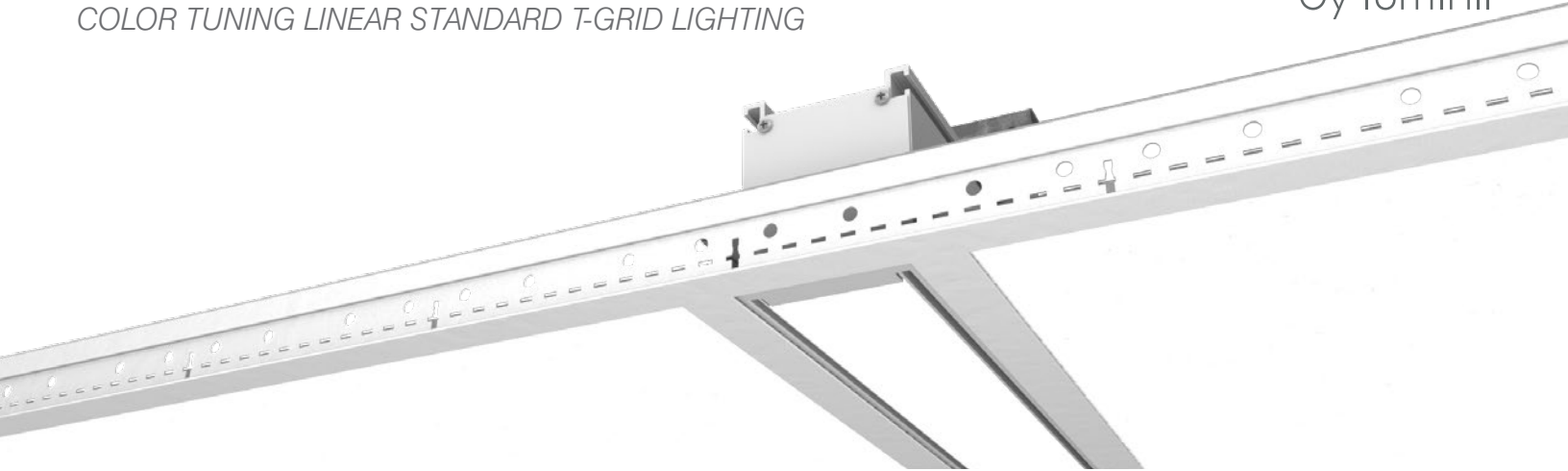


# VESTA 2 G

COLOR TUNING LINEAR STANDARD T-GRID LIGHTING



**Vesta 2 G** - The Vesta 2 G is a recessed LED system designed for suspended T-grid ceilings. Powerful LED (up to 1220lm/ft.) combined with a seamless, high-performance lens provide optimal lighting. The Vesta 2 G is available in two sizes (9/16" or 15/16"). Standard T-grid spacing comes in lengths of up to 12 feet per section, and the Vesta 2 G is also available for longer continuous runs or custom lengths.

## Ordering Code



## Product Specifications

**SAMPLE : 359 - 90 - 8 - 2765 - 25 - 01 - 06 - DMX - 120**

1 - Model	2 - CRI	3 - Length	4 - CCT	5 - Lens	6 - Finish
<b>359</b> · Vesta 2 G (9/16") <b>360</b> · Vesta 2 G (15/16")	<b>90</b> · 90+	<b>2</b> · 2' <b>4</b> · 4' <b>5</b> · 5' <b>6</b> · 6' <b>8</b> · 8' <b>10</b> · 10' <b>12</b> · 12' <b>XX</b> · Custom	<b>2765</b> · 2700K - 6500K	<b>25</b> · Frosted Symmetric	<b>01</b> · White <b>02</b> · Black <b>08</b> · Silver <b>XX</b> · Custom
7 - Lumen	8 - Driver	Dim Level	9 - Voltage	10 - LED Control	
<b>04</b> · 418 lm/ft @ 4000K (4.8W) <b>06</b> · 592 lm/ft @ 4000K (7.2W) <b>08</b> · 776 lm/ft @ 4000K (9.6W)	<b>DALI</b> · Dali Protocol <b>DMX</b> · Senso <b>CSMB</b> · Casambi Wireless Control	0.1%	<b>120</b> · 120V <b>277</b> · 277V	<b>01</b> · Standard switching <b>20</b> · Emergency wiring <b>21</b> · Emergency Battery Back-Up (4 foot section)	

Project : \_\_\_\_\_  
 Quantity : \_\_\_\_\_  
 Type : \_\_\_\_\_  
 Notes : \_\_\_\_\_  
 \_\_\_\_\_

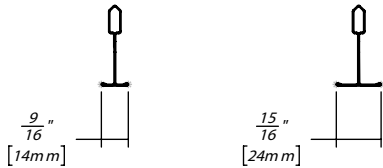
# VESTA 2 G

COLOR TUNING LINEAR STANDARD T-GRID LIGHTING

## Light Engine

- High Efficacy :** Up to 170 lumen/Watt
- Color Options (CCT) :** 2700K - 6200K
- Color Consistency :** 3-step MacAdam Ellipse
- Color Rendering (CRI) :** 90+
- Lumen Maintenance :** 50,000 hours

## Compatible with 9/16" - 15/16" grid

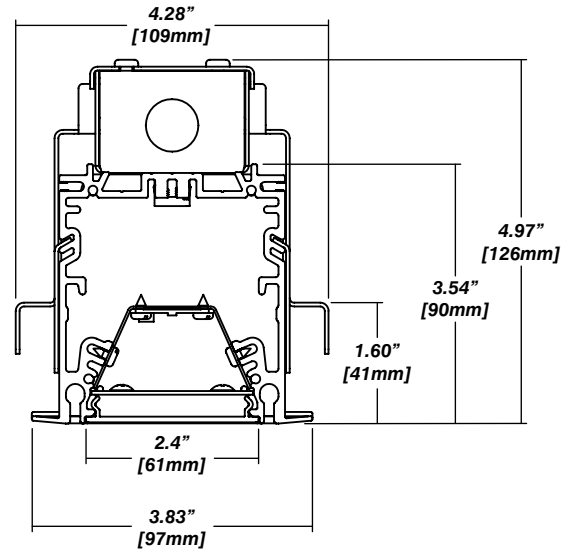


\*5 See page 1 for full dimming options

## Construction / Finish

- Powder coated in white, black or silver
- Custom finish are available
- Housing: Aluminum extrusion
- Made in Canada

## Installation



## Photometrics

Senso's in-house photometric testing ensures that our lighting design can match your needs precisely. Our Goniophotometer and testing lab produces on-demand photometry files based on any specified fixture, including LM-79 Test reports, IES Files, and CRI/CCT measurements. See [Sensolighting.com](http://Sensolighting.com) for more information.

\*Full photometric Reports and IES files available for every configuration

## Zonal Lumen Summary

Zone	Lumens	%Fixt
0-20	528.37	15.50
0-30	1085.53	31.90
0-40	1709.34	50.30
0-60	2806.23	82.60
0-80	3352.15	98.60
0-90	3398.12	100.00
10-90	3258.52	95.90
20-40	1180.97	34.70
20-50	1777.92	52.30
40-70	1453.16	42.80
60-80	545.92	16.10
70-80	189.65	5.60
80-90	45.97	1.40
90-110	0.56	0.00
90-120	0.57	0.00
90-130	0.57	0.00
90-150	0.57	0.00
90-180	0.57	0.00
110-180	0.01	0.00
0-180	3398.69	100.00

## Luminance DATA (cd/sq.m)

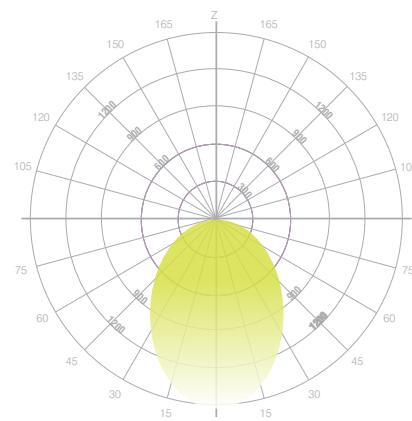
Angle in °	Average 0°	Average 45°	Average 90°
45	1633	17494	18653
55	14387	15594	16807
65	12589	13662	14754
75	10484	11188	11811
85	7096	6899	6301

## IES Indoor Report Coefficients of utilization - zonal cavity method

Effective Floor Cavity Reflectance 0.20

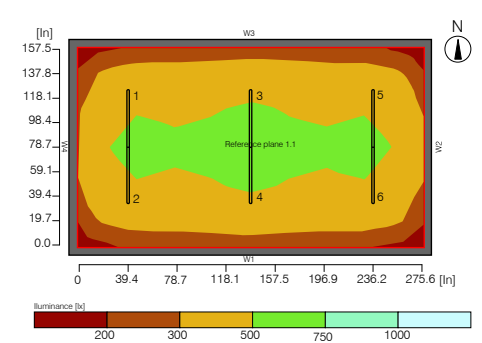
RC	80				70				50				30				10				0
RW	70	50	30	10	70	50	30	10	50	30	10	50	30	10	50	30	10	50	30	10	0
0	119	119	119	119	116	116	116	116	111	111	111	106	106	106	102	102	102	100	100	100	100
1	109	105	101	97	107	103	99	96	99	96	93	95	92	90	91	89	87	85	85	85	85
2	100	92	86	80	98	90	85	80	87	82	78	84	80	76	81	77	74	72	72	72	72
3	92	82	74	68	89	80	73	67	77	71	66	74	69	65	72	68	64	62	62	62	62
4	84	73	64	58	82	72	64	58	69	62	57	67	61	56	65	60	55	53	53	53	53
5	78	66	57	51	76	64	56	50	62	55	50	60	54	49	59	53	49	47	47	47	47
6	72	59	51	44	70	58	50	44	57	49	44	55	48	44	53	48	43	41	41	41	41
7	67	54	46	40	65	53	45	39	52	44	39	50	44	39	49	43	39	37	37	37	37
8	63	49	41	36	61	49	41	35	47	40	35	46	40	35	45	39	35	33	33	33	33
9	59	46	38	32	57	45	37	32	44	37	32	43	36	32	42	36	32	30	30	30	30
10	55	42	34	29	54	42	34	29	41	34	29	40	33	29	39	33	29	27	27	27	27

## Vesta Light Distribution



- Fixture: Vesta 48" [121.92 cm]
- Total Lumen Output: 3399 lm
- Wattage: 45 W
- Lumen per Watt: 75

## Vesta Performance Example



- Calculation algorithm used Average indirect fraction
- Height of luminaire plane 118.11" [3.00 m]
- Maintenance factor 31.5" [0.80 m]
- Total luminous flux of all lamps 20358 lm
- Total power 270.0 W
- Total power per area (28.00 m²) 9.64 W/m² (2.26 W/m²/100lx)

## Color Metrics TM 30-15

Our clients deserve the best information possible about their lighting choices. That's why Senso has invested in the Illuminating Engineering Society (IES) TM 30-15, a new system that measures an LED light source's color rendering properties. Using Senso's state-of-the-art goniophotometer, this method identifies the optimal light source for your project and helps evaluate the trade-offs between efficacy and color rendering. Senso can provide TM 30-15 data for all of our products.

\*Full Color Metric Info Available at [Sensolighting.com](http://Sensolighting.com)