

VESTA 1 WM

COLOR TUNABLE LINEAR WALL MOUNT



Vesta 1 WM - Wall mounted linear LED system. The Vesta1 WM luminaire offers a different application but all the benefits of its ceiling-mounted counterpart. A unique Senso design, the subtly flared Vesta 1 WM features a symmetrical, high-performance frosted lens, illuminating the lens surface evenly with no shadows or dark spots. With integrated drivers and controls, this fixture is easy to install and widely applicable. Vesta 1 WM offers both direct and indirect lighting options, allowing you to switch on the light sources independently or in unison.

Ordering Code

Fixture	<input type="text"/>	<input type="text"/>	<input type="text"/>	<input type="text"/>	<input type="text"/>	<input type="text"/>	<input type="text"/>	<input type="text"/>
	1	2	3	4	5	6	7	8
Driver	<input type="text"/>	<input type="text"/>	<input type="text"/>	<input type="text"/>	<input type="text"/>			
	1	2	3	4	5			

Product Specifications

SAMPLE: Fixture 351 - 90 - 12 - 2765 - F0 - 01 - 04 - 00 | Driver DALI - 120 - 01 - 04 - 00

1 - Model	2 - CRI	3 - Length	4 - CCT	5 - Lens	6 - Finish
351 · Direct/Indirect 352 · Indirect 353 · Direct	90 · 90+	2 · 22.75" 4 · 44.75" 6 · 66.75" 8 · 88.75" 10 · 110.75" 12 · 132.75" A-T · More Lengths**	2765 · 2700K - 6500K	<i>Down</i> F · Frosted Symmetric 0 · None <i>Up</i> F · Frosted Symmetric 0 · None	01 · White 02 · Black 08 · Silver XX · Custom

7 - Direct Lm	8 - Indirect Lm	1 - Driver	Dim Level	2 - Voltage	3 ² - LED Control
04 · 418 lm/ft @ 4000K (4.8W) 06 · 592 lm/ft @ 4000K (7.2W) 08 · 776 lm/ft @ 4000K (9.6W) 00 · None	04 · 418 lm/ft @ 4000K (4.8W) 06 · 592 lm/ft @ 4000K (7.2W) 08 · 776 lm/ft @ 4000K (9.6W) 00 · None	DALI · Dali Protocol DMX · SENSO CSMB · Casambi Wireless Control	0.1%	120 · 120V 277 · 277V	01 · Standard switching 02 · Separate switching 21 · Emergency Battery Back-Up (4 foot section)

4 - Direct Lm	5 - Direct Lm
Same as Fixture	Same as Fixture

*1 See page four for more detailed lengths
 *2 See page two for more details

Project : _____
 Quantity : _____
 Type : _____
 Notes : _____

VESTA 1 WM

COLOR TUNABLE LINEAR WALL MOUNT

Light Engine

- High Efficacy :** Up to 170 lumen/Watt
- Color Options (CCT) :** 2700K - 6200K
- Color Consistency :** 3-step MacAdam Ellipse
- Color Rendering (CRI) :** 90+
- Lumen Maintenance :** 50,000 hours

Switching

(For Direct / Indirect Configuration)

1. Standard switching
Single point feed required



2. Direct/indirect separate switching
Dual point feed required



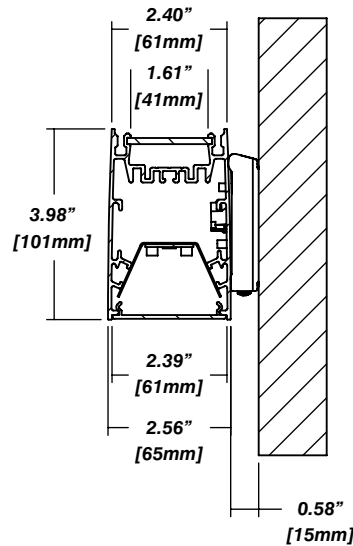
Installation

- Factory assembled for easy and fast installation
- Electrical wire and aircraft cable included
- Standard switch box needed (horizontal) for feed point
- Mounted bracket included

Construction

- Powder coated in white, black or silver
- Custom finish are available
- Housing: Aluminum extrusion
- Made in Canada

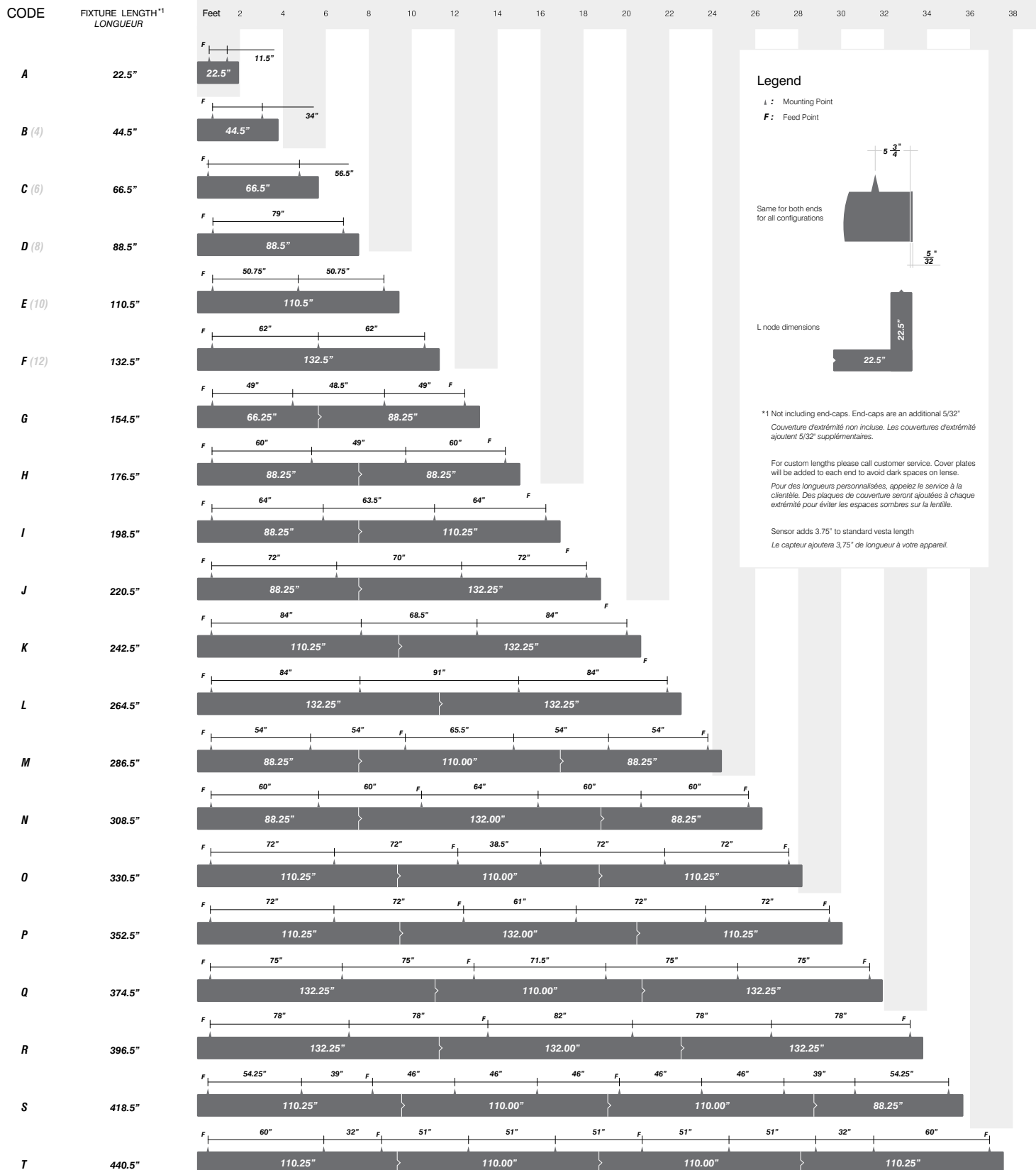
Dimensions



VESTA 1 WMM

COLOR TUNABLE LINEAR WALL MOUNT

Vesta Color Tuning Lengths



Legend

- ▲ : Mounting Point
- F : Feed Point

Same for both ends for all configurations

L node dimensions

*1 Not including end-caps. End-caps are an additional 5/32"
 Couverture d'extrémité non incluse. Les couvertures d'extrémité ajoutent 5/32" supplémentaires.

For custom lengths please call customer service. Cover plates will be added to each end to avoid dark spaces on lense.
 Pour des longueurs personnalisées, appelez le service à la clientèle. Des plaques de couverture seront ajoutées à chaque extrémité pour éviter les espaces sombres sur la lentille.

Sensor adds 3.75" to standard vesta length
 Le capteur ajoutera 3,75" de longueur à votre appareil.