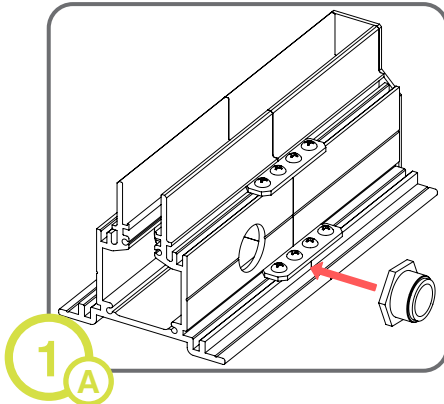
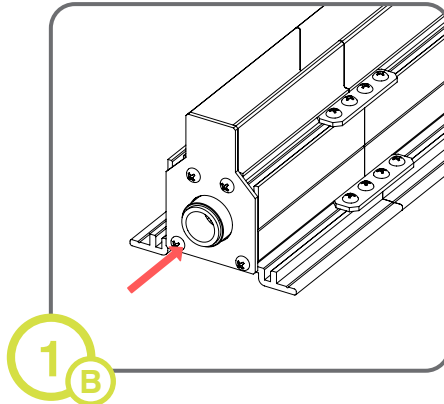


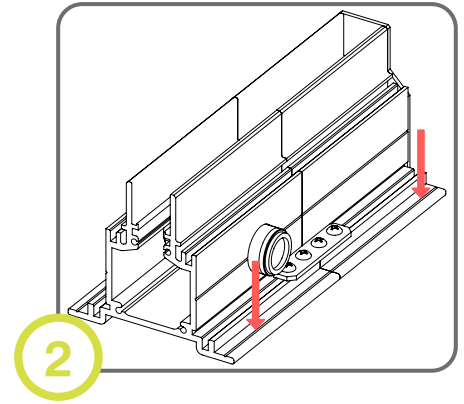
TRIDENT In-Ground



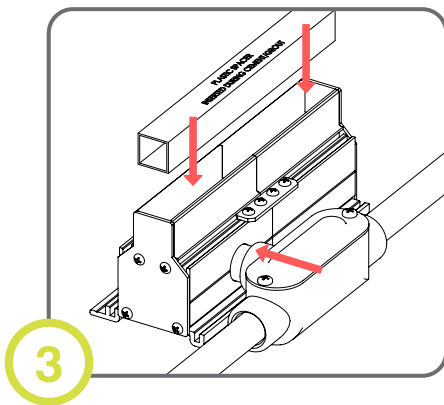
1 **A**
Drill a 22mm hole and install supplied nipples according to your electrical layout.



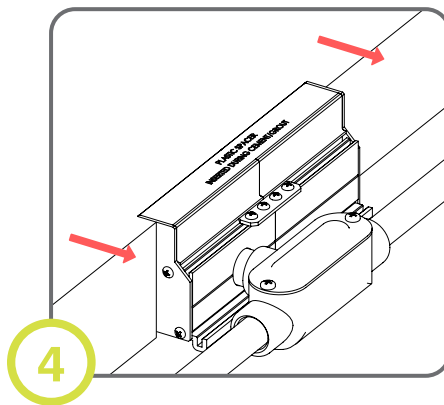
1 **B**
Wiring may also be end fed.



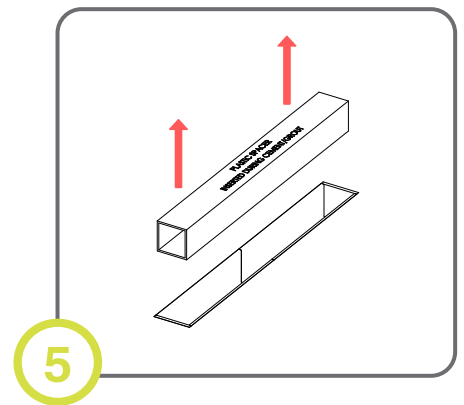
2
Drill holes at base of channel and secure to ground.
SEE NOTE A ON PAGE 2



3
Run your electrical conduit and junction box. Mount junction box to the channel. Place supplied spacer into the channel.



4
Lay down your desired flooring, keeping level with the top of the Trident channel.
SEE NOTE B ON PAGE 2



5
Remove plastic spacer.



Read and follow these instructions before installing or maintaining this product

- Make sure this product is **NOT** on the same circuit as inductive loads, (e.g. fluorescent bulbs, discharge bulbs, ventilation fans, etc...)
- Do not switch on line voltage until all wiring is complete
- Incorrect wiring will result in irreparable damage to LED and power supply
- This product should only be installed by a licensed electrician

Veillez lire et suivre ces instructions avant l'installation ou l'entretien de ce produit

- Assurer vous que des charges inductives ne se retrouvent pas sur le même circuit que ce produit, (i.e. fluorescent, ampoules à décharge, ventilateurs, etc...)
- Compléter les branchements avant de mettre sous tension
- Un branchement incorrect créerait des dommages irréparables à l'alimentation et au DEL
- Ce produit devrait être uniquement installé par un électricien qualifié



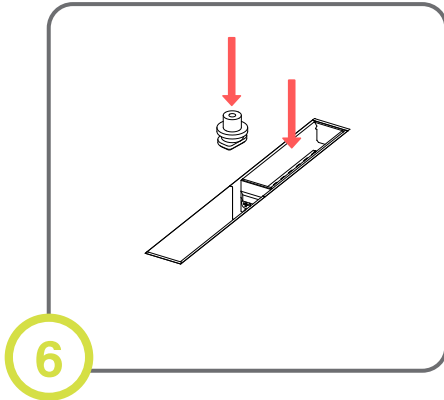
Warranty

- This product must be installed in accordance with all applicable installation codes and ordinance
- Limited five (5) years warranty
- Warranty is void in the eventuality of unauthorized modifications and/or improper use

Garantie

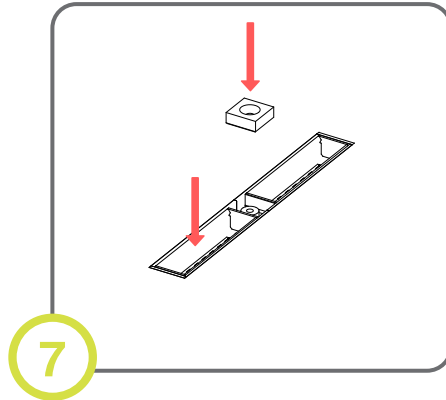
- Ce produit doit être installé conformément au code d'installation et autres normes applicables
- Garantie limitée de cinq (5) ans
- La garantie est non valide advenant une modification non autorisée ou un usage non approprié

TRIDENT In-Ground



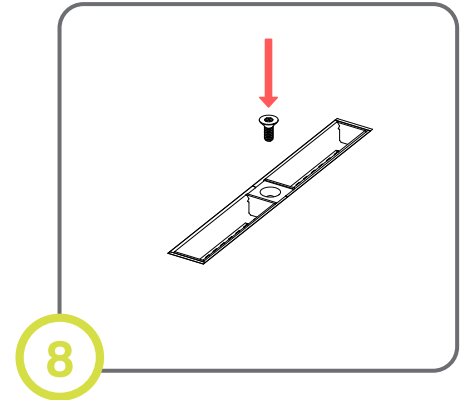
6

Install first section of Trident followed by the anchor at the open end. Pushing the anchor against Trident.



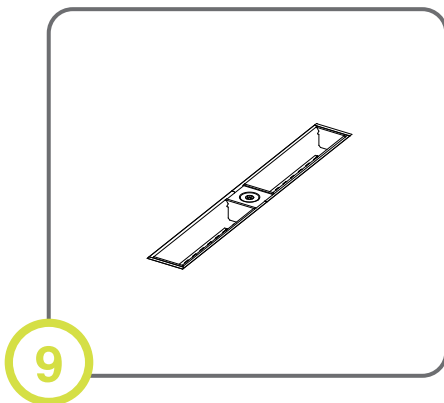
7

Insert the next section of Trident after the anchor. Once in place, drop the mounting block over the anchor, between both sections of trident.



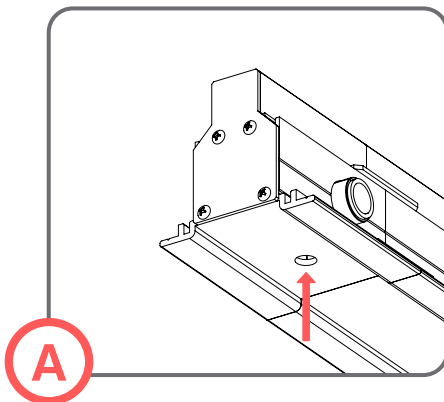
8

Secure block and anchor in place using the included tamper resistant screw and driver. Repeat steps 6 through 8 for all runs of Trident.

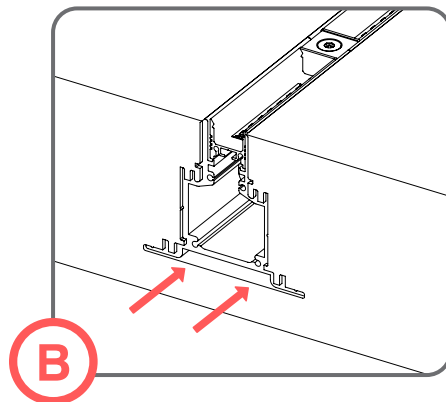


9

NOTES:



Before installation, drill drainage hole at each end of your run of Trident channel.



Be sure to leave adequate space under the channel for proper drainage.