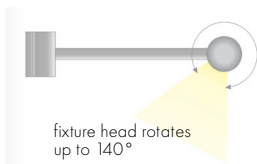
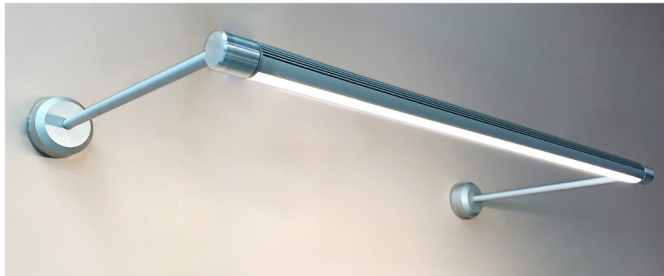
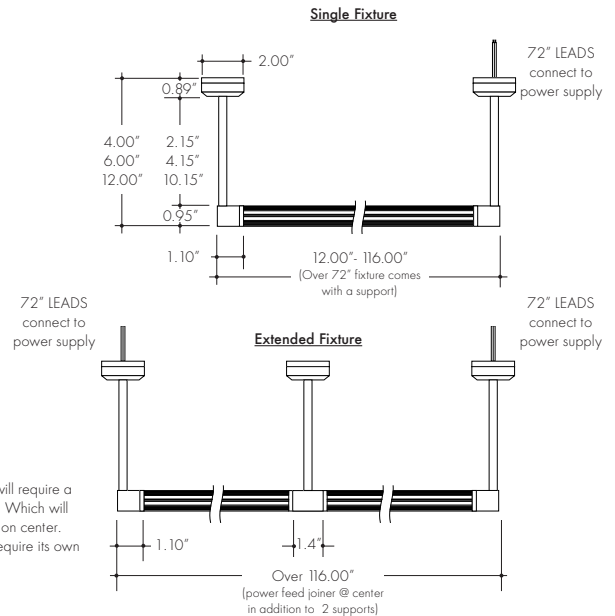


Extruded aluminum display & wall light system, Teava features specifically designed LED engine that provides constant illumination levels from the beginning to the end of the runs. Available in one section up to 116" long with the option to extend using the provided power feed joiner. Approved for closet/storage space installation per NEC 410.16(A)(3) and 410.16(C)(5).



NOTE: Over 116" will require a joiner to extend run. Which will always be installed on center. Every Section will require its own power feed.



Finish options



Technical information

Output type	Output Options	
	MO (LL54)	HO (LL72)
Lumens at 3000K (Clear lens)	280 lum/ft	425 lum/ft
Average power consumption at 4'	5.2 W/ft	6.5 W/ft
Operating Voltage	24VDC	24VDC

Color temperature	CCT/LUMEN MULTIPLIER	
	Multiplier (Multiple Light Output of 3000K HO)	CRI
2700 K	0.81	98
3000 K	1.00	91
3500 K	0.98	95
4100 K	1.06	93

Ordering code

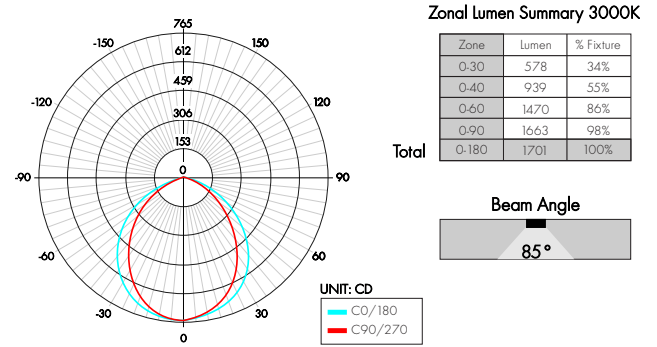
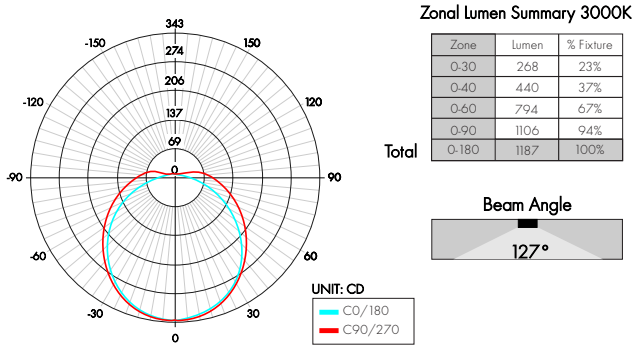
MODEL	LENGTH	CCT	OUTPUT	LENS	MOUNTING	FINISH
TEA Teava	12 12" - 116" 4" increments, over 116" comes with 2 fixture sections. refer to line drawing above for details.	27K 27K - 2700 K 30K - 3000 K 35K - 3500 K 41K - 4100 K	MO MO - Medium HO - High	C C - Clear F - Frosted	4 4 - 4" Arm length 6 - 6" Arms length 12 - 12" Arms length	SA SA - Silver BK - Black BZ - Bronze WH - White

[BK,BZ,WH finishes will have an upcharge and require longer lead times]

Photometry

TEA-48-30K-HO-F-XX-XX

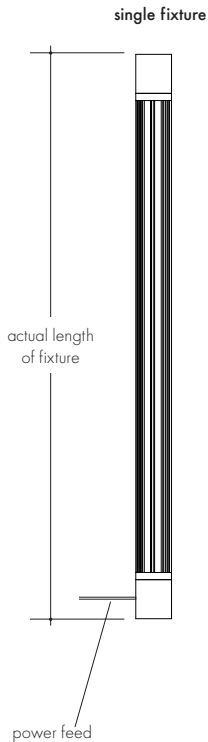
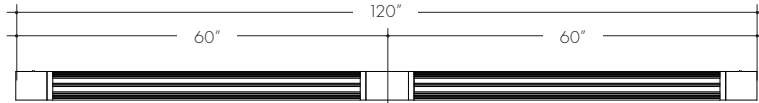
TEA-48-30K-HO-C-XX-XX



Power consumption per fixture length

Based on operation with PSD series of power supplies. Additional power supply needed for fixtures over 116".

EXAMPLE if over 116": you would receive 2 Teava fixtures, each section requiring its own power supply



Nominal Length	Actual Length	MO		HO		
		W/ft	Total wattage	Actual Length	W/ft	Total wattage
12"	14-12/16"	5.35	5.30	14-12/16"	6.75	6.75
16"	18-11/16"	5.33	7.06	18-10/16"	6.75	9.00
20"	22-11/16"	5.31	8.82	22-10/16"	6.75	11.25
24"	26-10/16"	5.30	10.60	26-9/16"	6.75	13.50
28"	30-8/16"	5.28	12.33	30-8/16"	6.75	16.75
32"	34-8/16"	5.26	14.06	34-7/16"	6.75	19.00
36"	38-7/16"	5.25	15.80	38-6/16"	6.65	19.95
40"	42-6/16"	5.23	17.40	43-5/16"	6.65	22.20
44"	46-5/16"	5.21	19.00	47-4/16"	6.65	24.40
48"	50-4/16"	5.20	20.60	51-3/16"	6.55	26.20
52"	55-8/16"	5.18	22.40	55-2/16"	6.55	28.50
56"	59-7/16"	5.16	24.20	59-1/16"	6.55	30.50
60"	63-6/16"	5.15	26.00	63 "	6.45	32.25
64"	67-5/16"	5.13	27.60	66-15/16"	6.45	34.40
68"	71-4/16"	5.11	29.20	70-14/16"	6.45	36.55
72"	76-3/16"	5.10	30.80	75-13/16"	6.40	38.40
76"	80-2/16"	5.08	32.40	79-12/16"	6.40	40.50
80"	84-2/16"	5.06	34.00	83-11/16"	6.40	43.00
84"	88-1/16"	5.05	35.70	87-10/16"	6.25	43.75
88"	91-15/16"	5.03	37.10	91-9/16"	6.25	46.00
92"	95-14/16"	5.01	38.50	95-8/16"	6.25	48.00
96"	99-14/16"	5.00	40.00	100-7/16"	6.15	49.20
100"	103-13/16"	4.98	41.60	104-6/16"	6.15	51.25
104"	107-12/16"	4.96	43.20	108-4/16"	6.15	53.00
108"	111-11/16"	4.95	44.80	112-4/16"	6.00	54.00
112"	115-10/16"	4.93	46.20	116-3/16"	6.00	56.00
116"	119-9/16"	4.91	47.60	120-2/16"	6.00	58.00

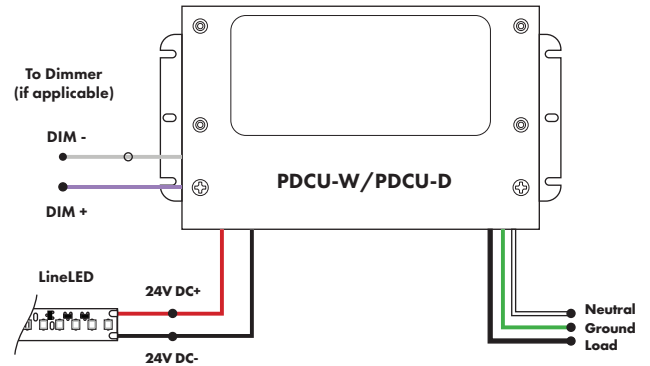
Power Supply

See fixture and power supply instructions & spec sheet for wiring information. Dimming possible in select models - view Luminii website for list of compatible dimmers.

Universal Power Supply

MODEL	POWER	OUTPUT
PDCU-W	96	24
PDCU-W - IP66 Wet Series	96 - 96 W 3X96 - 3X96 W	24 - 24 VDC
PDCU-D - IP20 Dry Series	30 - 30 W 60 - 60 W 96 - 96 W 3X96 - 3X96 W	

0-10V - 1% dimming
MLV/ELV/TRIAC - 1% dimming, consult dimming compatibility chart
Compatibility:
View a complete list of compatible dimmers on product page ([Link](#))

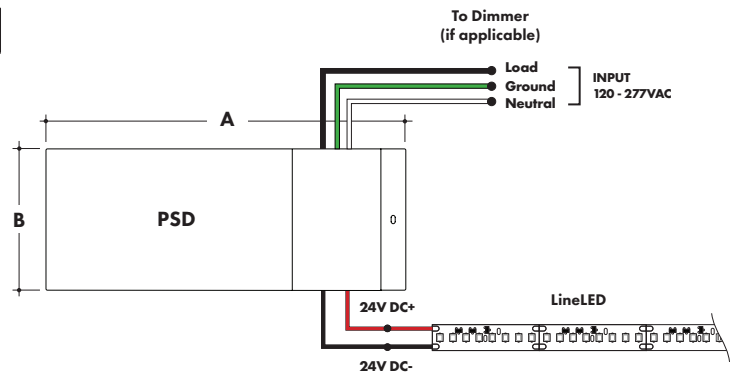


MODELS	PDCU-W 96W	PDCU-W 3X96W	PDCU-D 30W	PDCU-D 60W	PDCU-D 96W	PDCU-D 3X96W
A Length	8.66"	11.85"	6.10"	7.93"	8.25"	9.57"
B Width	3.73"	4.32"	3.35"	3.35"	4.10"	5.94"
Depth	1.61"	1.81"	1.33"	1.32"	1.56"	1.13"

Magnetic Low Voltage Dimming Power Supplies

MODEL	POWER	OUTPUT	INPUT
PSD	48	24	
PSD - PSD Series dims down to 0%	48 - 48 Watt 96 - 96 Watt 288 - 288 Watt (3 x 96Watt)	24 - 24 VDC	Blank - 120 V 240 - 240 V 277 - 277 V

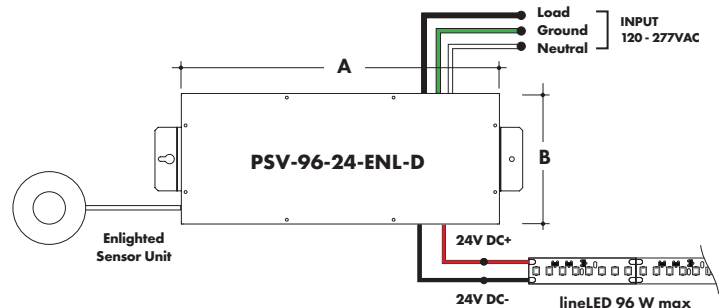
MODELS	48W	96W	288W
A Length	11.25"	11.25"	13.06"
B Width	3.42"	3.42"	8.42"
Depth	3.42"	3.27"	4.47"



Enlighted Enabled Dimming Power Supplies:

MODEL	POWER	OUTPUT	DIMMING	LOCATION
PSV	96	24	ENL	D
PSV - PSV Series	96 - 96 Watt	24 - 24 VDC	ENL - Enlighted Dimming	D - Damp

MODELS	96W
A Length	14.40"
B Width	5.20"
Depth	2.60"



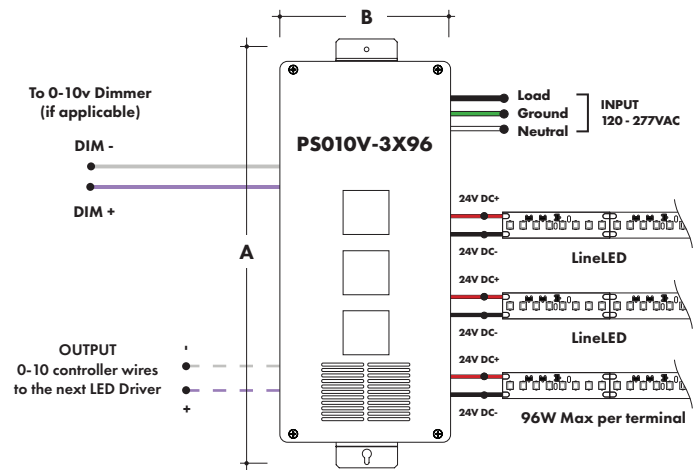
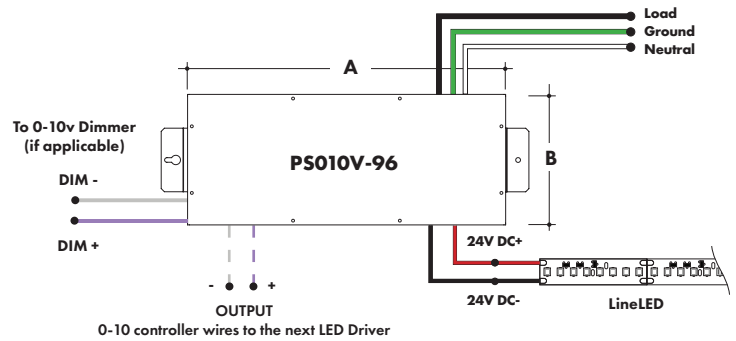
Power Supply

See fixture and power supply instructions & spec sheet for wiring information. Dimming possible in select models - view Luminii website for list of compatible dimmers.

0-10V Dimming Power Supplies

MODEL	POWER	OUTPUT	DIMMING
PS010V	96	24	LIN
PS010V - 0-10V Power Supply dims down to 0%	96 - 96 Watt 3X96 - 3 X 96 Watt	24 - 24 VDC	LIN - Linear LOG - Logarithmic

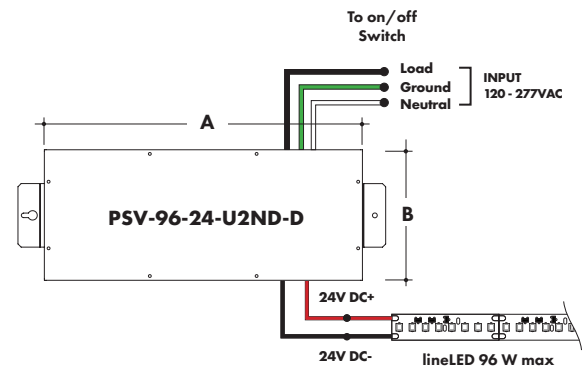
MODELS	96W	3X96
A Length	14.40"	15.75"
B Width	5.20"	6.62"
Depth	2.60"	4.95"



Non-Dimming Power Supply

MODEL	POWER	OUTPUT	DIMMING	LOCATION
PSV	96	24	U2ND	D
PSV - PSV Series	96 - 96 Watt	24 - 24 VDC	U2ND - Non Dimming	D - Damp

MODELS	96W
A Length	14.40"
B Width	5.20"
Depth	2.60"



Power Supply

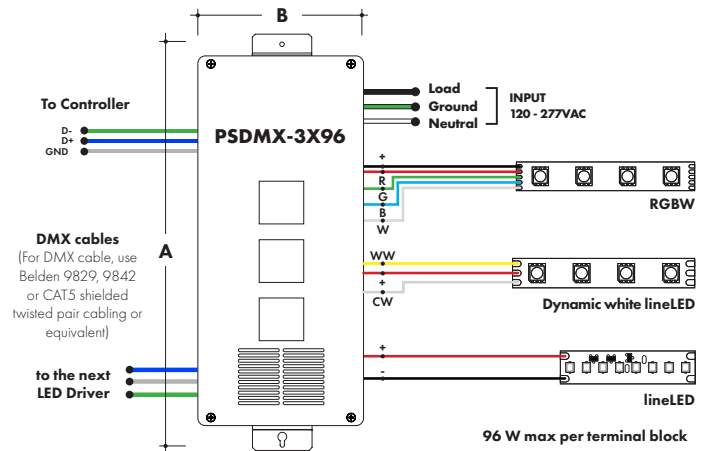
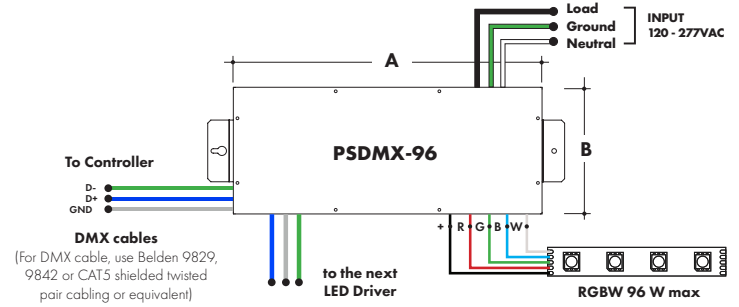
See fixture and power supply instructions & spec sheet for wiring information. Dimming possible in select models - view luminii website for list of compatible dimmers.

DMX Dimming Power Supplies

MODEL	POWER	OUTPUT
PSDMX	96	24
PSDMX - DMX Power Supply	96 - 96 Watt 3X96 - 3 X 96 Watt	24 - 24 VDC

Features eldoLED's LINEARdrive configurable dimmable drivers

MODELS	96W	3X96
A Length	14.40"	15.75"
B Width	5.20"	6.62"
Depth	2.60"	4.95"

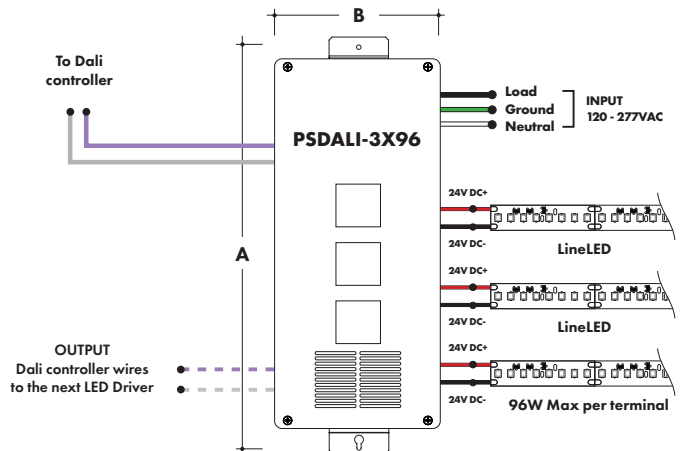
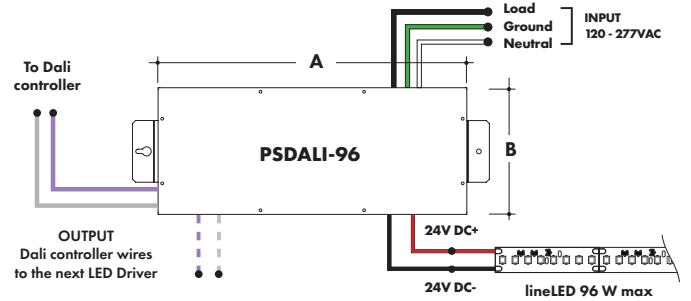


DALI Dimming Power Supplies

MODEL	POWER	OUTPUT
PSDALI	96	24
PSDALI - DALI Power Supply	96 - 96 Watt 3X96 - 3 X 96 Watt dims down to 0%	24 - 24 VDC

Features eldoLED's LINEARdrive configurable dimmable drivers

MODELS	96W	3X96
A Length	14.40"	15.75"
B Width	5.20"	6.62"
Depth	2.60"	4.95"



Power Supply

See fixture and power supply instructions & spec sheet for wiring information. Dimming possible in select models - view Luminii website for list of compatible dimmers.



Luminii is a Lutron OEM Advantage Partner

MODEL

LTEA4U1UKL-CV240

Lutron - HiLume™ 1% 2-wire LED Driver

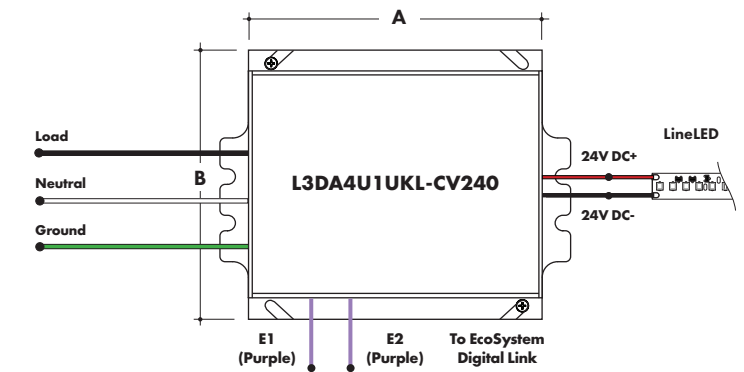
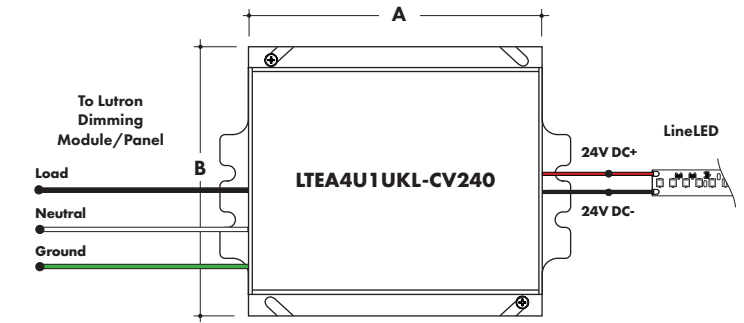
(120V forward phase only)

MODEL

L3DA4U1UKL-CV240

HiLume™ 1% EcoSystem Voltage LED driver

MODELS	LTEA4U1UKL-CV240	L3DA4U1UKL-CV240
A Length	4.89"	4.98"
B Width	4.00"	4.00"
Depth	2.62"	2.62"



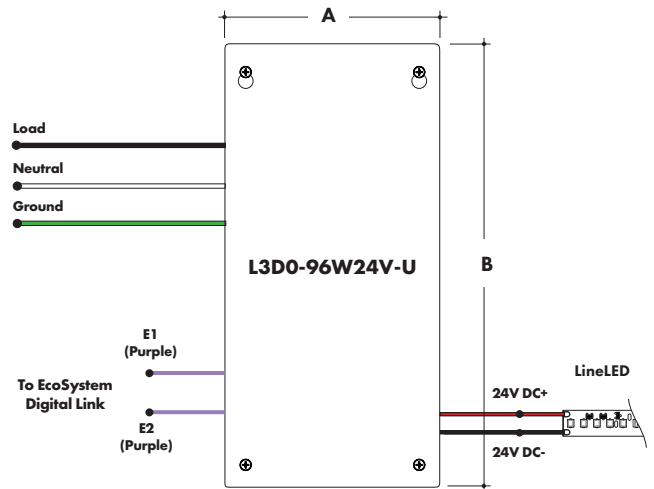
Luminii is a Lutron OEM Advantage Partner

MODEL

L3D0-96W24V-U

HiLume™ 0.1% EcoSystem Voltage LED Driver with Soft-On, Fade-to-Black™

MODELS	L3D0
A Length	10.50"
B Width	5.50"
Depth	2.00"



Power Supply

See fixture and power supply instructions & spec sheet for wiring information. Dimming possible in select models - view Luminii website for list of compatible dimmers.

In ground, Electronic Low Voltage Dimming Power Supplies

MODEL	POWER	OUTPUT	INPUT
IG - CVE	96X2	24	Blank - 120 V 277 - 240/277 V
IG - In ground CVE Series	96X2 - 2 X 96 Watt	24 - 24 VDC	
CVE - ELV Dimming DALI - eldoLED Dali dimming			
Both dims down to 0.1%			

MODELS	Dual Circuit
A Length	8.40"
B Width	8.30"
Depth	8.10"

