



**Technical Information**

- Pendant Mount track supports Stenos directional and ambient modules
- Minimalist and narrow track seamlessly integrates into environments
- Aircraft cable suspension allows on site adjustability
- Two circuit track allows independent dim control for groups of modules
- 24 VDC
- Class 2 power supply
- 4A max on track
- 96W max on track

**Finish Options**

- Black powder coated
- White powder coated

**Ordering Code**

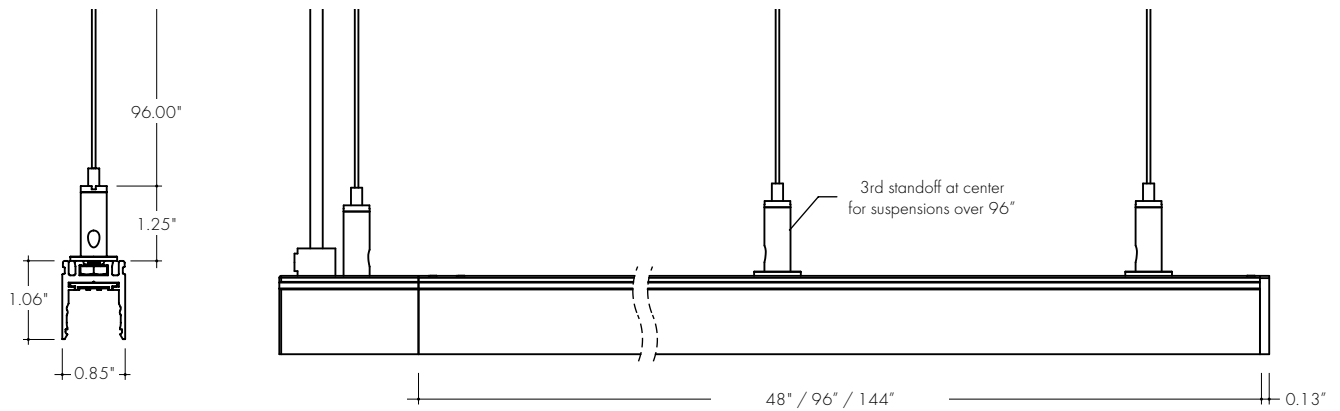
MODEL	LENGTH	MOUNTING <sup>1</sup>	FINISH
STH - Stenos H	48 - 48" 96 - 96" 144 - 144"	P - Suspended/ Pendant Mount	BK - Black WH - White



<sup>1</sup>- Mounting Hardware for Aircraft cable selected separately

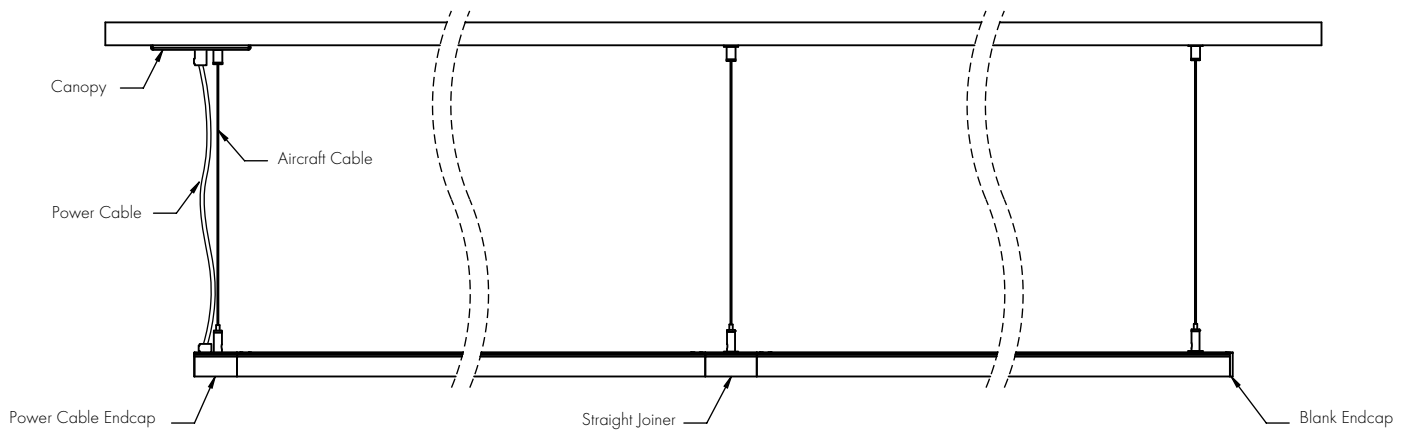
**Product Dimensions**

**Aircraft Cable Suspension**



**Sample Layout**

**Aircraft Cable Suspension**

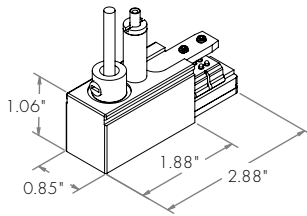


### Track Components

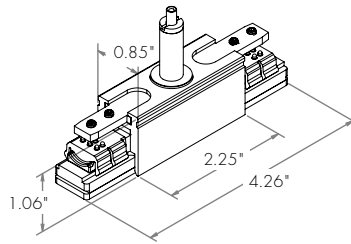
To minimize voltage drop, it is recommended to not exceed 24ft of track per power feed or 3 track joiners per power feed.

#### Aircraft Cable Suspension

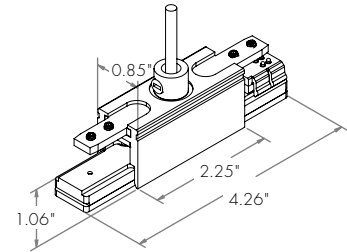
**PF-STH-AC-XX**  
Power Feed Endcap - Aircraft Cable



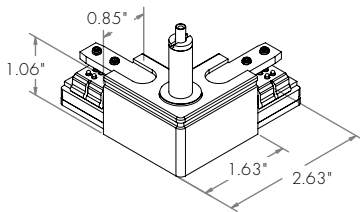
**JOIN-S-STH-AC-XX**  
Straight Joiner - Aircraft Cable



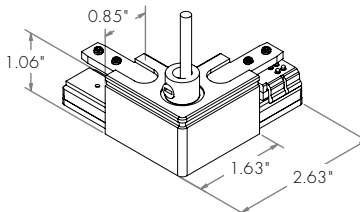
**JOIN-S-STH-AC-PF-XX**  
Straight Joiner With Feed - Aircraft Cable



**JOIN-L-STH-AC-XX**  
L Joiner - Aircraft Cable



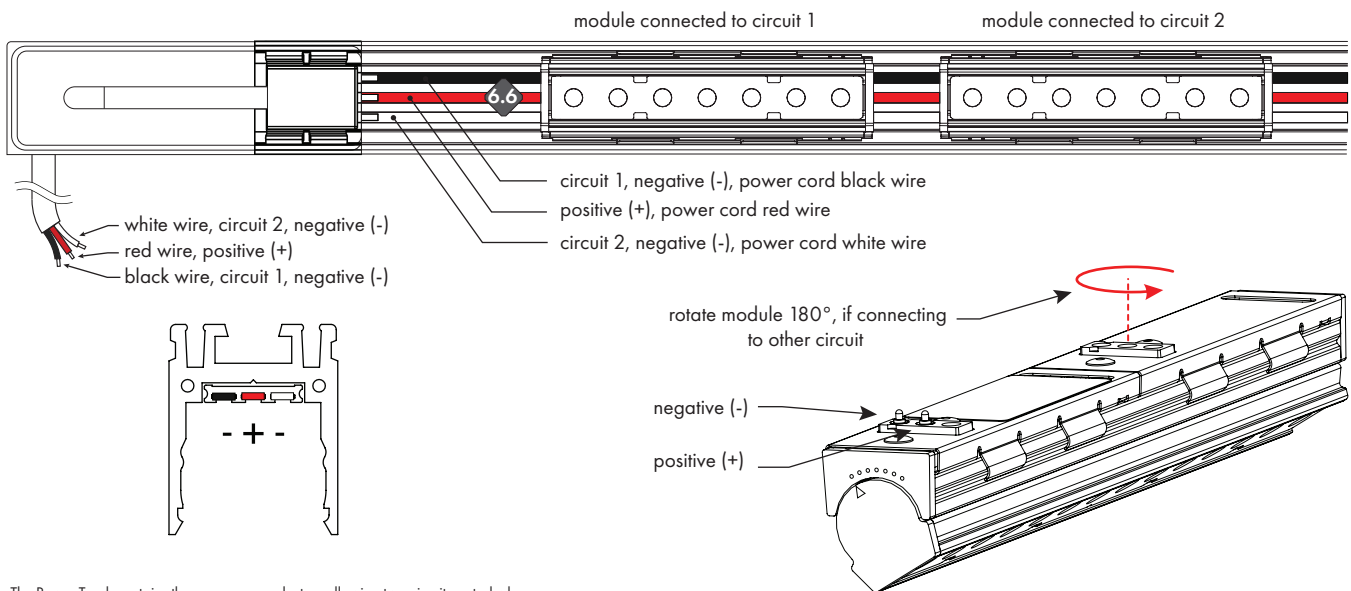
**JOIN-L-STH-AC-PF-XX**  
L Joiner With Feed - Aircraft Cable



XX	Color
WH	White
BK	Black

### Wiring and Multiple Circuits

**Power Feed Cord (24VDC)**  
For single circuit use, connect black and white Power Feed Cord wires.  
For two circuit control, pair with Power Supplies PS010TW-96-24, PSDMX-96-24, PSDMX-3X96-24, and PSDALI-DT8-96-24



- The Power Track contains three copper conductors allowing two circuit control when paired with Power Supplies PS010TW-96-24, PSDMX-96-24, PSDMX-3X96-24, or PSDALI-DT8-96-24
- Center conductor is common positive (+), connected to power cord red wire
  - One outer conductor is circuit 1 negative (-), connected to power cord black wire
  - Other outer conductor is circuit 2 negative (-), connected to power cord white wire

Select control circuit for Stenos Directional and Ambient Modules by rotating them 180°

For single circuit use, connect black and white Power Feed Cord wires.

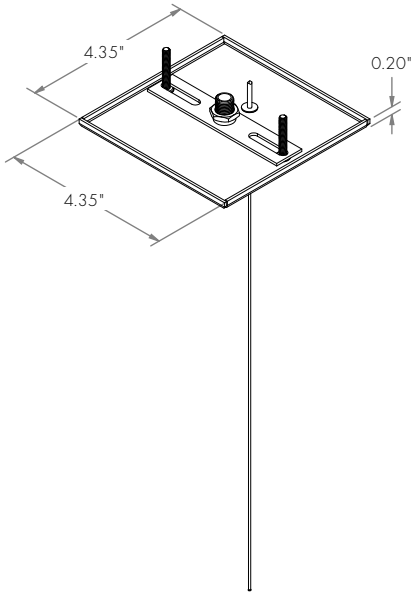


For single circuit use, connect black and white wires

**Track Components**

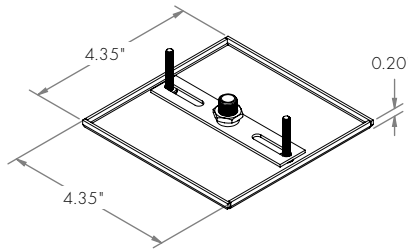
To minimize voltage drop, it is recommended to not exceed 24ft of track per power feed or 3 track joiners per power feed.

**MB-STH-AC-JB4-SF-96-XX**  
 Square Power Feed Canopy and  
 96" Aircraft Cable for Joiner Attachment



Aircraft Cable is Mounted to Canopy

**MB-STH-AC-JB4-CF-96-XX**  
 Square Power Feed Canopy



Blank canopy for power feed wire. Use if j-box is offset from fixture/mounting position.

XX	Color
WH	White
BK	Black

**MB-STH-AC-NF-96**  
 96" Aircraft Cable and Ceiling Mount



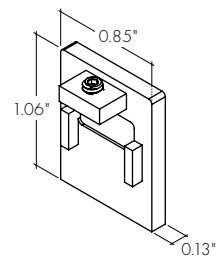
Used with Power Feeds and Joiners

**MB-STH-AC-SO-96**  
 96" Aircraft Cable, Track Standoff, and  
 Ceiling Mount

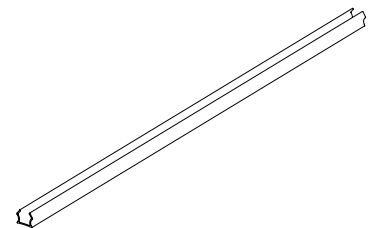


Mounts to Track

**EC-ST5-H3-XX**  
 Blank Endcap

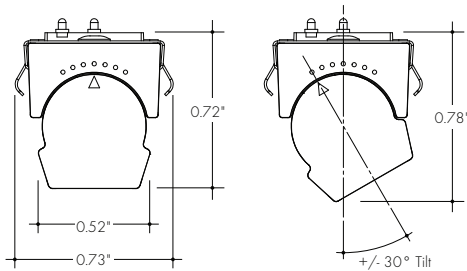


**TC-96-XX**  
**TC-144-XX**  
 Track Filler, 96" or 144"



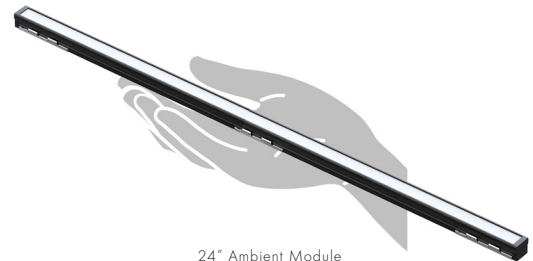
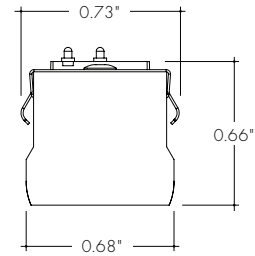
Track Fillers ship complete with the Track and cover unoccupied sections of Track. They are field cuttable and can be used to protect the channel during installation. Additional can be ordered, if necessary.

### Directional Module



3" Directional Module shown with Louver

### Ambient Module



24" Ambient Module

### Technical Information

TYPE	Stenos		
<b>OUTPUT OPTIONS</b> (15° Optic)	<b>3</b>	<b>5</b>	<b>12</b>
Lumen Output (3000K)	250 lm	520 lm	1260 lm
Power Consumption	2.6 W	5.4 W	13.0 W
Efficacy (lm/W)	96	96	96
Center Beam Intensity (CBCP)	1500	3100	7700

TYPE	24"		48"	
<b>OUTPUT OPTIONS</b>	<b>SO</b>	<b>HO</b>	<b>SO</b>	<b>HO</b>
Lumen Output (3000K) (with a Frosted Lens)	475 lm	1000 lm	950 lm	2025 lm
Power Consumption	5.5 W	12.3 W	11.0 W	24.7 W
Efficacy	86 lm/W	81 lm/W	86 lm/W	82 lm/W

### Ordering Code | Directional Module

MODEL	LENGTH	CCT	OUTPUT	OPTIC*	FINISH
SMD-Stenos Directional Module	3-2.5" 5-4.8" 12-11.8"	27K-2700K 30K-3000K 35K-3500K 40K-4000K	SO-Standard	LV15-15° Optic LV15-15° Louver LV30-30° Louver and Optic LV60-60° Louver and Optic	BK-Black WH-White

1 - Louvers reduce glare while maintaining 95% of CBCP. Use a 0.6 multiplier for lumen output.

### Ordering Code | Ambient Module

MODEL	LENGTH	CCT	OUTPUT	OPTIC	FINISH
SMA-Stenos Ambient Module	24-24.38" 48-48.00"	27K-2700K 30K-3000K 35K-3500K 40K-4000K	SO-Standard HO-High	F-Frosted L-Louver <sup>1</sup>	BK-Black WH-White

1 - Louvers reduce glare while maintaining 95% of CBCP. Use a 0.6 multiplier for lumen output.

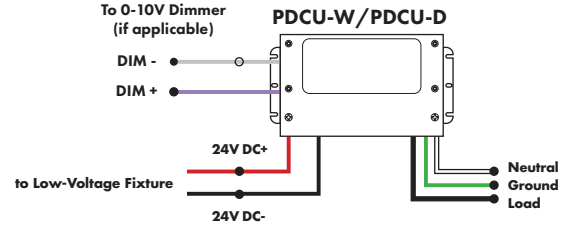
## Power Supplies

See Power Supply instructions and spec sheet for wiring information. For a complete list of compatible dimmers, see Compatible Dimming Chart on the Resources page.

### Universal Power Supply 1% 120VAC - 277VAC

MODEL	POWER	OUTPUT
PDCU-D - IP20 Dry Series	30 - 30 W 60 - 60 W 96 - 96 W 3X96 - 3X96 W	24 - 24 VDC
PDCU-W - IP66 Wet Series	96 - 96 W 3X96 - 3X96 W	

0-10V dims down to 1%, MLV/ELV/TRIAC dims down to 1%.  
For a complete list of compatible dimmers, see [Compatible Dimming Chart](#) on the Resources page.

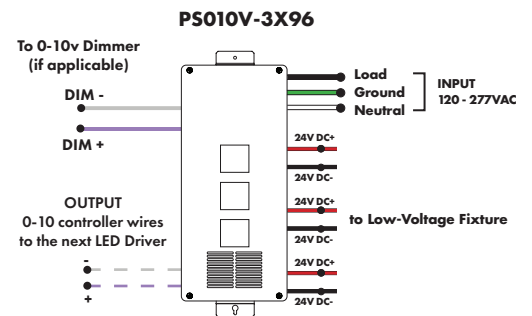
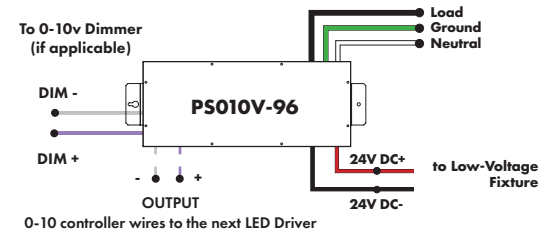


MODELS	PDCU-W 96W	PDCU-W 3X96W	PDCU-D 30W	PDCU-D 60W	PDCU-D 96W	PDCU-D 3X96W
<b>Length</b>	8.66"	11.85"	6.10"	7.93"	8.25"	9.57"
<b>Width</b>	3.73"	4.32"	3.35"	3.35"	4.10"	5.94"
<b>Depth</b>	1.61"	1.81"	1.33"	1.32"	1.56"	1.13"

### 0-10V Dimming Power Supplies 0.1% 120VAC - 277VAC

MODEL	POWER	OUTPUT	DIMMING
PS010V - 0-10V Power Supply dims down to 0.1%	96 - 96 Watt 3X96 - 3 X 96 Watt	24 - 24 VDC	LIN - Linear LOG - Logarithmic

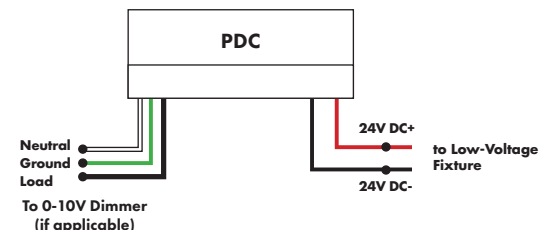
MODELS	96W	3X96
<b>Length</b>	14.40"	15.75"
<b>Width</b>	5.20"	6.62"
<b>Depth</b>	2.60"	4.95"



### Triac, MLV, ELV, & PWM Compatible Dimmers

MODEL	POWER	OUTPUT
PDC - (IP20) Power Supply	96 - 96 Watts	24 - 24 VDC

MODELS	96W
<b>Length</b>	8.25"
<b>Width</b>	4.10"
<b>Depth</b>	1.56"



## Power Supplies

See Power Supply instructions and spec sheet for wiring information. For a complete list of compatible dimmers, see Compatible Dimming Chart on the Resources page.

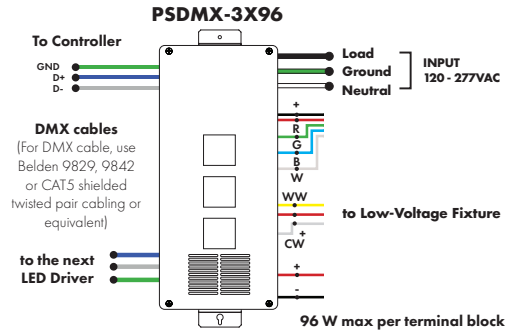
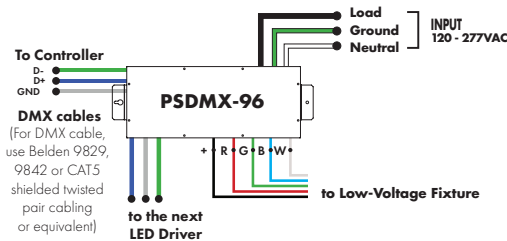
### DMX Dimming Power Supplies 120VAC - 277VAC

MODEL	POWER	OUTPUT
PSDMX	96 - 96 Watt 3X96 - 3 X 96 Watt	24 - 24 VDC

PSDMX - DMX Power Supply dims down to 0%

Features eldoLED's LINEARdrive configurable dimmable drivers

MODELS	96W	3X96
Length	14.40"	15.75"
Width	5.20"	6.62"
Depth	2.60"	4.95"



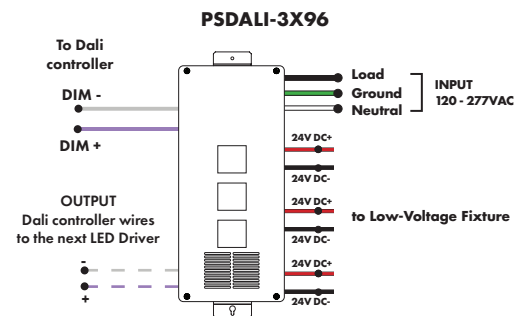
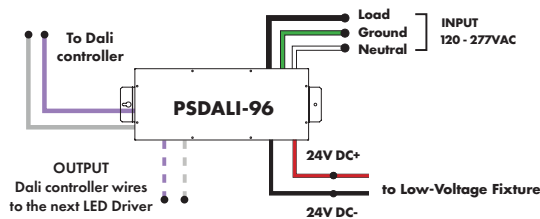
### DALI 0% Dimming Power Supplies 120VAC - 277VAC

MODEL	POWER	OUTPUT
PSDALI	96 - 96 Watt 3X96 - 3 X 96 Watt	24 - 24 VDC

PSDALI - DALI Power Supply dims down to 0%

Features eldoLED's LINEARdrive configurable dimmable drivers

Model	96W	3X96
Length	14.40"	15.75"
Width	5.20"	6.62"
Depth	2.60"	4.95"

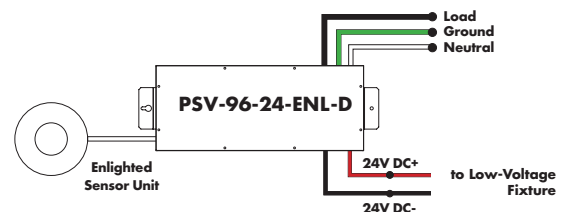


### Enlighted Enabled Dimming Power Supplies 120VAC - 277VAC

MODEL	POWER	OUTPUT	DIMMING	LOCATION
PSV - PSV Series	96 - 96 Watt	24 - 24 VDC	ENL - Enlighted Dimming dims down to 0%	D - Damp

PSV - PSV Series

<b>Model</b>	<b>96W</b>
<b>Length</b>	14.40"
<b>Width</b>	5.20"
<b>Depth</b>	2.60"



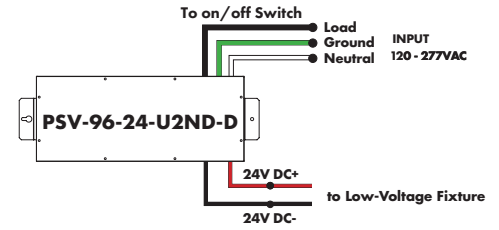
### Power Supplies

See Power Supply instructions and spec sheet for wiring information. For a complete list of compatible dimmers, see Compatible Dimming Chart on the Resources page.

#### Non-Dimming Power Supply 120VAC - 277VAC

MODEL	POWER	OUTPUT	DIMMING	LOCATION
PSV - PSV Series	96 - 96 Watt	24 - 24 VDC	U2ND - Non Dimming	D - Damp

MODELS	96W
<b>Length</b>	14.40"
<b>Width</b>	5.20"
<b>Depth</b>	2.60"

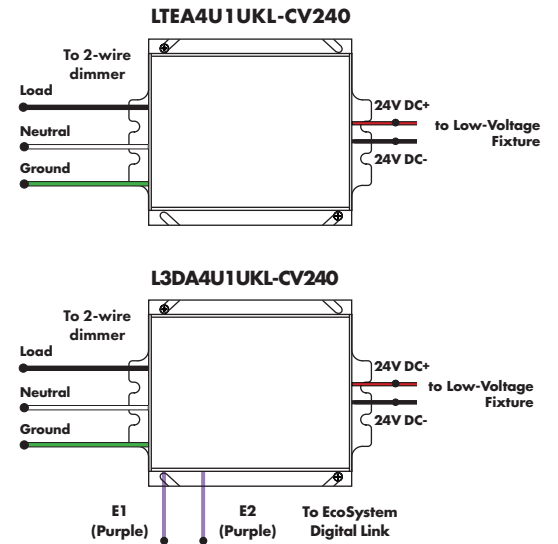


Luminii is a Lutron OEM Advantage Partner

#### Lutron Power Supplies 1%

MODEL	MODEL
<b>LTEA4U1UKL-CV240</b>	<b>L3DA4U1UKL-CV240</b>
Lutron - HiLume™ 1% 2-wire LED Driver 40W max	HiLume™ 1% EcoSystem Voltage LED driver 40W max
(120V forward phase only)	

MODELS	LTEA4U1UKL-CV240	L3DA4U1UKL-CV240
<b>Length</b>	4.89"	4.98"
<b>Width</b>	4.00"	4.00"
<b>Depth</b>	2.62"	2.62"

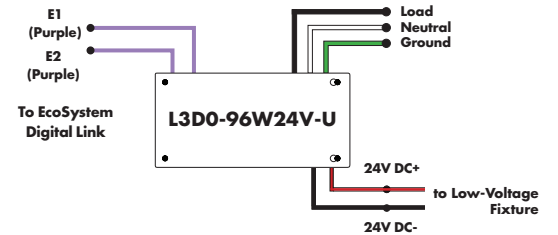


Luminii is a Lutron OEM Advantage Partner

#### Lutron Power Supplies 0.1%

MODEL
<b>L3D0-96W24V-U</b>
HiLume™ 0.1% EcoSystem Voltage LED Driver with Soft-On, Fade-to-Black™ 96W max

MODELS	L3D0
<b>Length</b>	10.50"
<b>Width</b>	5.50"
<b>Depth</b>	2.00"



#### In-Ground Power Supplies

MODEL	POWER	OUTPUT	INPUT
IG - In ground CVE Series	CVE - ELV Dimming DALI - eldoLED Dali dimming Both dims down to 0%	96X2 - 2 X 96 Watt	24 - 24 VDC
			Blank - 120 V 277 - 240/277 V

MODELS	Dual Circuit
<b>Length</b>	8.40"
<b>Width</b>	8.30"
<b>Depth</b>	8.10"

