

# Stenos Downlight - Installation Instructions

Models SD-3, SD-5, SD-12

Please read all instructions prior to installation and keep for future reference!

1. PRODUCT TO BE INSTALLED BY A QUALIFIED ELECTRICIAN.
2. USE ONLY WITH CLASS 2 POWER UNIT
3. 24 VOLTS DC
4. TYPE IC, INHERENTLY PROTECTED
5. SUITABLE FOR WET LOCATION (COVERED CEILING)
6. AIRTIGHT PER ASTM E283

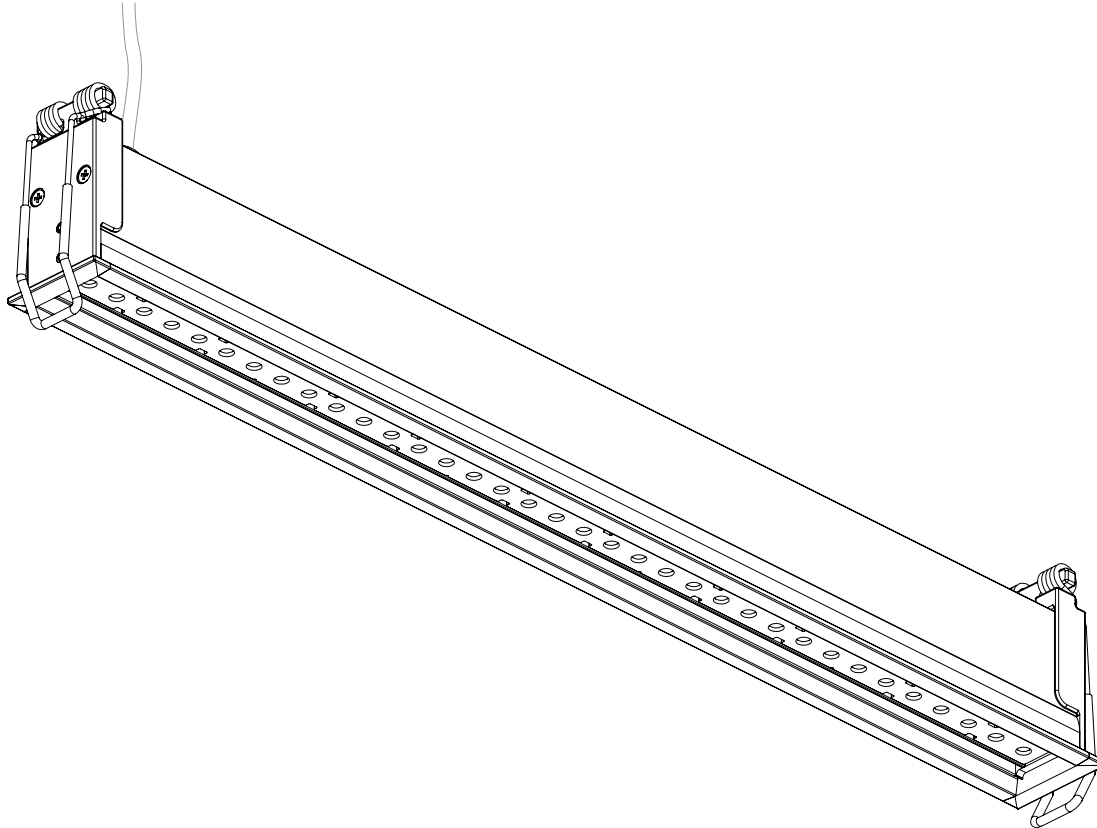


REVO.7  
09012023

1 / 5



7777 Merrimac Ave  
Niles, IL 60714  
T 224.333.6033  
F 224.757.7557  
info@luminii.com  
www.luminii.com



12" Stenos Downlight

## Instruction page index:

Retrofit Installation	2
New Install Installation	3-4
Additional Information	5

# Stenos Downlight - Installation Instructions

Models SD-3, SD-5, SD-12



7777 Merrimac Ave  
Niles, IL 60714  
T 224.333.6033  
F 224.757.7557  
info@luminii.com  
www.luminii.com

REV.07  
09012023

2 / 5

Please read all instructions prior to installation and keep for future reference!

1. PRODUCT TO BE INSTALLED BY A QUALIFIED ELECTRICIAN.
2. USE ONLY WITH CLASS 2 POWER UNIT
3. 24 VOLTS DC
4. TYPE IC, INHERENTLY PROTECTED
5. SUITABLE FOR WET LOCATION (COVERED CEILING)
6. AIRTIGHT PER ASTM E283

## Mounting Method 1: Retrofit Install

**Note: Retrofit installations are ideal for re-modeling existing ceiling structure.**

- 1.1 Once the desired location is determined, place the retrofit plate onto ceiling. Followed by fastening screws into the plate holes. If aligning multiple retrofit plates to a surface, use the alignment tabs as a guide to help keep things aligned.
- 1.2 Using a spiral saw (cutout tool) or utility knife trace the inside rectangle shape. Followed by knocking out that section. Then remove and discard the retrofit plate.

**Note: For airtight requirements add a small amount of silicone sealant all along the inside of the recessed flange**

- 2.1 Run the fixture lead wires through the cutout slot, to the remote power supply. Follow the conductor color coding. Reference power supply instruction for additional information.
- 2.2 Rotate the fixture spring clips into the top position, to allow fixture to slide through the cutout slot. Followed by carefully releasing spring clips and push the fixture completely into the slot. If necessary make any surface or paint imperfection prior to installation.

**Conductor Color Code:**

Static White  
Red = 24VDC Positive (+)  
Black = Negative (-)

Dynamic White  
Red = Common 24VDC Positive (+)  
Black = Warm White Negative (-)  
White = Cool White Negative (-)

**FOR AIRTIGHT REQUIREMENTS**

silicone sealant

# Stenos Downlight - Installation Instructions

Models SD-3, SD-5, SD-12



7777 Merrimac Ave  
Niles, IL 60714  
T 224.333.6033  
F 224.757.7557  
info@luminii.com  
www.luminii.com

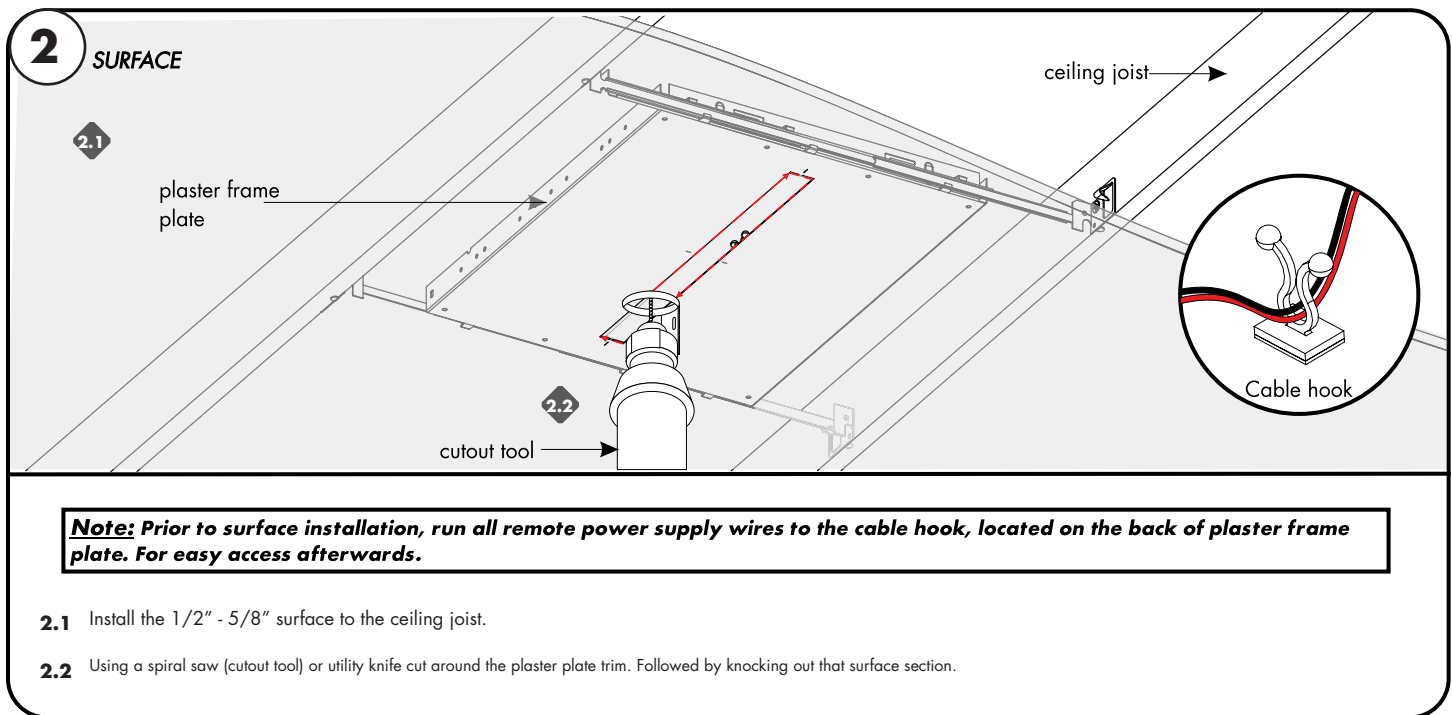
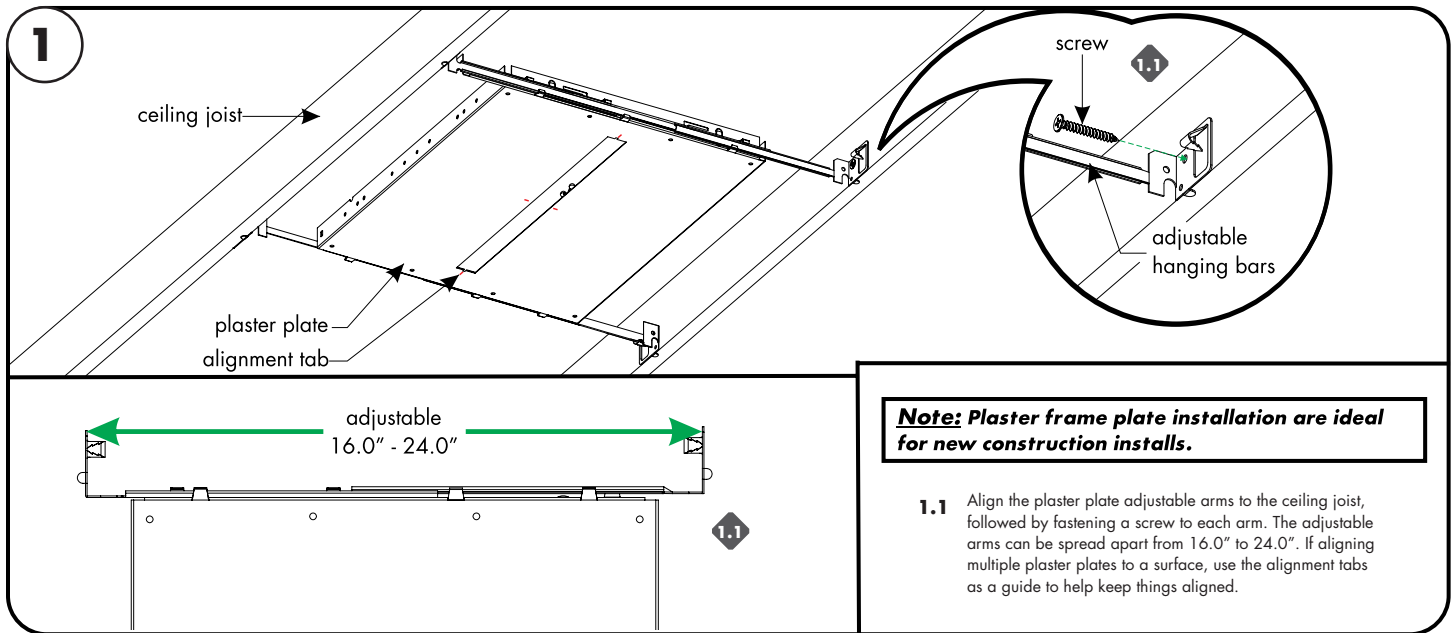
Please read all instructions prior to installation and keep for future reference!

1. PRODUCT TO BE INSTALLED BY A QUALIFIED ELECTRICIAN.
2. USE ONLY WITH CLASS 2 POWER UNIT
3. 24 VOLTS DC
4. TYPE IC, INHERENTLY PROTECTED
5. SUITABLE FOR WET LOCATION (COVERED CEILING)
6. AIRTIGHT PER ASTM E283

REVO.7  
09012023

3 / 5

## Mounting Method: Plaster Frame Hanger Bar Plate Installation



# Stenos Downlight - Installation Instructions

Models SD-3, SD-5, SD-12



7777 Merrimac Ave  
Niles, IL 60714  
T 224.333.6033  
F 224.757.7557  
info@luminii.com  
www.luminii.com

REV.0.7  
09012023

4 / 5

Please read all instructions prior to installation and keep for future reference!

1. PRODUCT TO BE INSTALLED BY A QUALIFIED ELECTRICIAN.
2. USE ONLY WITH CLASS 2 POWER UNIT
3. 24 VOLTS DC
4. TYPE IC, INHERENTLY PROTECTED
5. SUITABLE FOR WET LOCATION (COVERED CEILING)
6. AIRTIGHT PER ASTM E283

## Mounting Method: Plaster Frame Hanger Bar Plate Installation

3

lead wires

adjustable arm

ceiling joist surface

**Conductor Color Code:**

	Static White
Red	= 24VDC Positive (+)
Black	= Negative (-)
	Dynamic White
Red	= Common 24VDC Positive (+)
Black	= Warm White Negative (-)
White	= Cool White Negative (-)

3.1

plaster plate

drywall

fixture

FOR AIRTIGHT REQUIREMENTS

silicone sealant

3.1 Run the fixture lead wires through the cutout slot, to the remote power supply. Reference power supply instruction for additional information.

3.2 Rotate the fixture spring clips into the top position, to allow fixture to slide through the cutout slot. Followed by carefully releasing spring clips and push the fixture completely into the slot. If necessary make any surface or paint imperfection prior to installation.

**Note:** For airtight requirements add a small amount of silicone sealant all along the inside of the recessed flange

\*LUMINII RESERVES THE RIGHTS TO CHANGE SPECIFICATION & INSTRUCTION WITHOUT NOTICE

# Stenos Downlight - Installation Instructions

Models SD-3, SD-5, SD-12



7777 Merrimac Ave  
Niles, IL 60714  
T 224.333.6033  
F 224.757.7557  
info@luminii.com  
www.luminii.com

Please read all instructions prior to installation and keep for future reference!

1. PRODUCT TO BE INSTALLED BY A QUALIFIED ELECTRICIAN.
2. USE ONLY WITH CLASS 2 POWER UNIT
3. 24 VOLTS DC
4. TYPE IC, INHERENTLY PROTECTED
5. SUITABLE FOR WET LOCATION (COVERED CEILING)
6. AIRTIGHT PER ASTM E283

REVO.7  
09012023

5 / 5

## Mounting Method: Plaster Frame Hanger Bar Plate Installation

