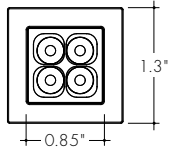


Features

- 1.3" trim packs high performance and punch from an incredibly small downlight
- Magnetic retention for interchangeable optics allows for easy beam adjustment in the field
- Constant Voltage design simplifies installation, allowing multiple downlights to operate from a single Power Supply
- Wet Rated, Airtight Rated
- Constant force spring maintains consistent tension, and no sag, for ceiling thicknesses from 0.5" up to 2.0"
- 24VDC Class 2 fixtures and power supplies
- IC rated with LO Output, or IC Rated with SO Output and RHI/RHC housings
- L90 > 50k hours
- 5 year warranty



Finish Options

- Black
- White



Technical Information

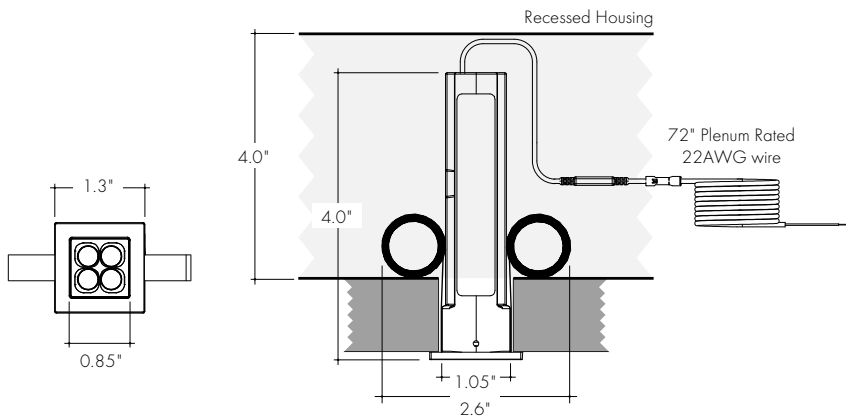
OUTPUT	SO ¹				
OPTIC	R15 ²	R30 ²	LV15	LV30	LV60
Lumen Output (3000K)	610 lm	633 lm	461 lm	445 lm	364 lm
Beam Spread (FWHM)	15°	26°	15°	29°	58°
Center Beam Candlepower (candela)	3924 cd	2481 cd	3981 cd	1300 cd	399 cd
Power Consumption	7.2 W				
Efficacy	85 lm/W	88 lm/W	62lm/W	60 lm/W	50 lm/W
Aesthetic	Regressed Baffle		Louver		

1 - For LO output, 4 VV, multiple table values by 55%

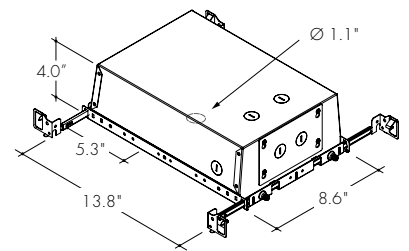
2 - Tested with White Regressed Baffle

CCT	Multiplier (reference - 3000K)	TM-30			
		CRI	R _f	R _g	R ₉
2700K	0.99	93	92	100	62
3000K	1.00	94	92	100	66
3500K	1.08	95	92	100	74
4000K	1.12	93	91	101	79

Product Dimensions



Stenos 1" Square Trimmed Downlight



Recessed Housing
Note: RHI or RHC required for SO Output

Ordering Code

MODEL	SIZE	TRIM	TYPE	CCT	OUTPUT	OPTIC	FINISH
SD - Stenos Downlight	1D - 1" Square	T - Trimmed, 1.3"	F - Fixed	27K - 2700K 30K - 3000K 35K - 3500K 40K - 4000K	SO - Standard LO - Low, 4V	LV15 - 15° optic + Louver LV30 - 30° optic + Louver LV60 - 60° optic + Louver R15 - 15° optic Regressed Baffle R30 - 30° optic Regressed Baffle ¹	BK - Black WH - White

1 - R30 is interchangeable with only LV30 and LV60 accessories.

Ordering Code Housing

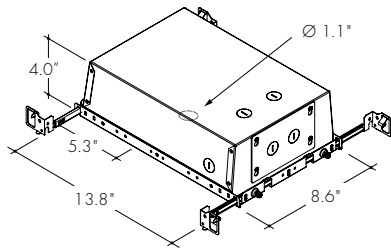
MODEL	SIZE	TRIM	HOUSING
RHI - Recessed New Construction Housing, IC Rated	1D - 1" Square Downlight	T - Trimmed	R - Remote Power Supply ¹
RHC - Recessed New Construction Housing, Chicago Plenum Rated			
RMP - Recessed New Construction Mounting Pan			

1 - See Power Supplies section for compatible list. Available as Remote mounting only.

Mounting Options

RHI-1D-T-R

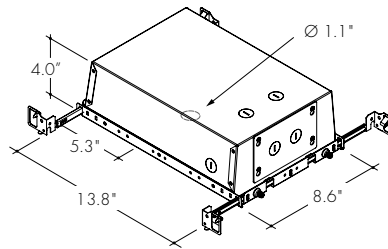
Recessed New Construction Housing, IC Rated, 1" Square Trimmed Downlight



Includes Hanger Bar set (PF-HB-ALL), extendable from 14" to 24". Knock-outs are Ø0.875". Can be used for spray foam insulation. A Housing is required for SO Standard Output.

RHC-1D-T-R

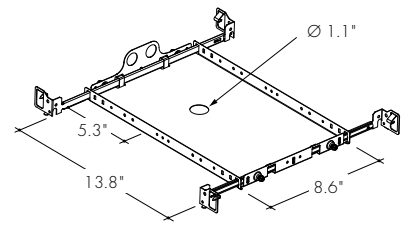
Recessed New Construction Housing, Chicago Plenum, 1" Square Trimmed Downlight



Includes Hanger Bar set (PF-HB-ALL), extendable from 14" to 24". Knock-outs are Ø0.875". Can be used for spray foam insulation. A Housing is required for SO Standard Output.

RMP-1D-T-R

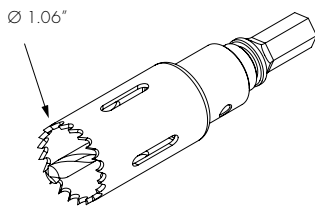
Recessed New Construction Mounting Pan, 1" Square Trimmed Downlight



Includes Hanger Bar set (PF-HB-ALL), extendable from 14" to 24". Knock-outs are Ø0.875".

HS-27MM

Hole Saw and Shank, 27MM

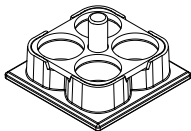


Use to drill a precision hole

Accessories

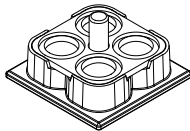
SAC-LV15-1D-XX

Stenos Accessory, 15° Optic and Louver, 1" Downlight



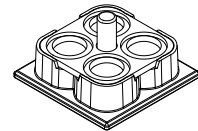
SAC-LV30-1D-XX

Stenos Accessory, 30° Optic and Louver, 1" Downlight



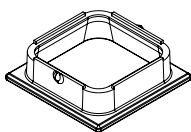
SAC-LV60-1D-XX

Stenos Accessory, 60° Optic and Louver, 1" Downlight



SAC-R-1D-XX

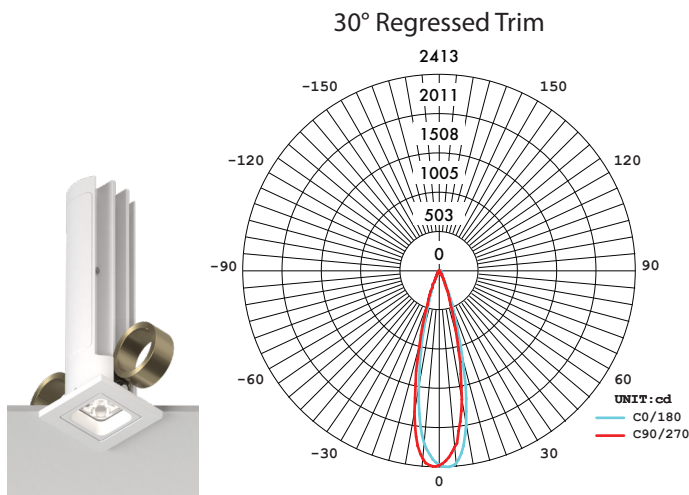
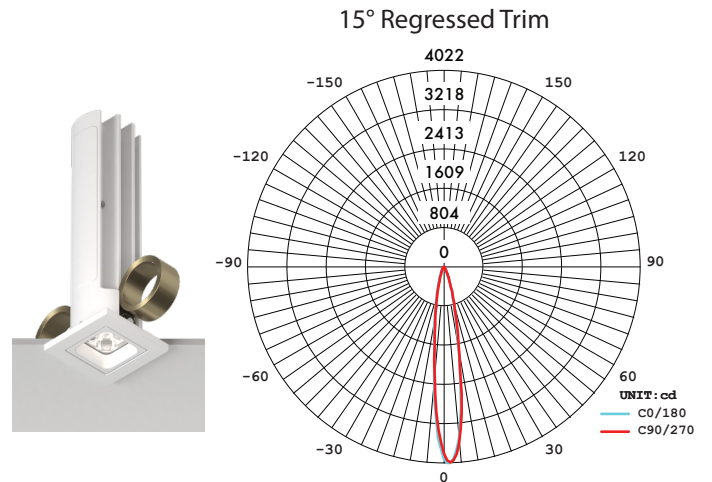
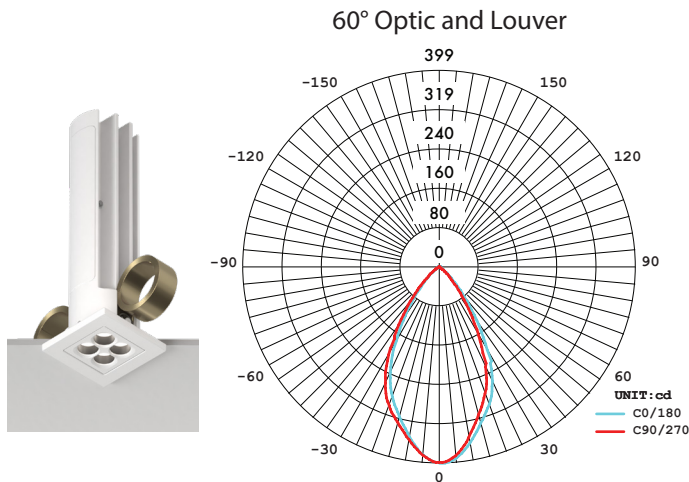
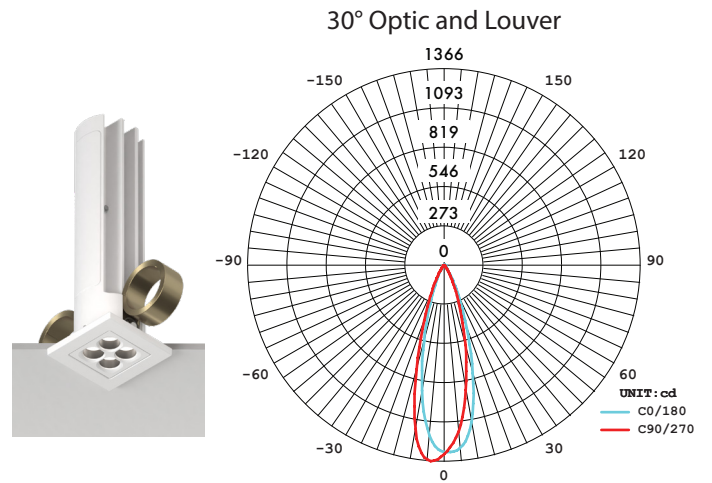
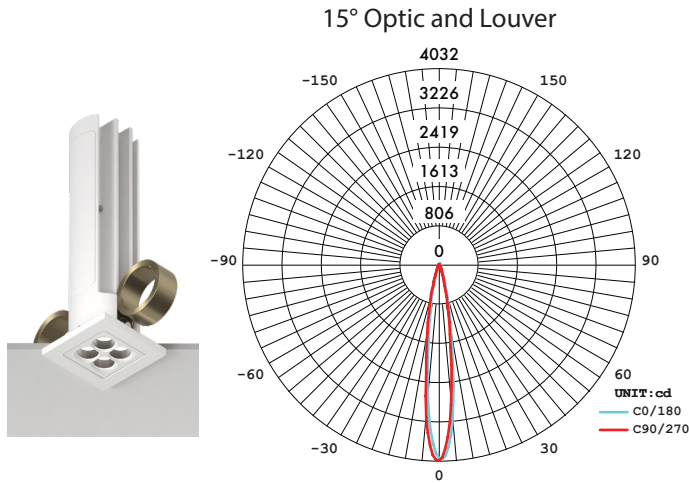
Regressed Baffle



XX	Color
WH	White
BK	Black

Photometry

Standard Output

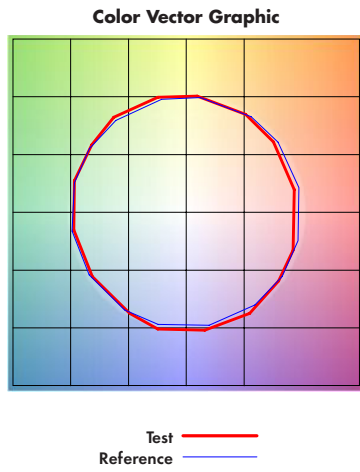


OUTPUT	LO				
OPTIC	R15*	R30*	LV15	LV30	LV60
Lumen Output (3000K)	336 lm	348 lm	254 lm	245 lm	200 lm
Beam Spread (FWHM)	15°	26°	15°	29°	58°
CBCP	2158 cd	1365 cd	2190 cd	715 cd	200 cd
Power Consumption	4.0 W				
Efficacy	84 lm/W	87 lm/W	63 lm/W	61 lm/W	50 lm/W
Aesthetic	Regressed Baffle		Louver		

* Tested with White Regressed Baffle

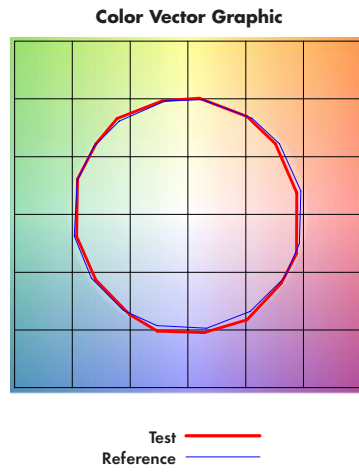
TM-30-15-Data

27K CCT



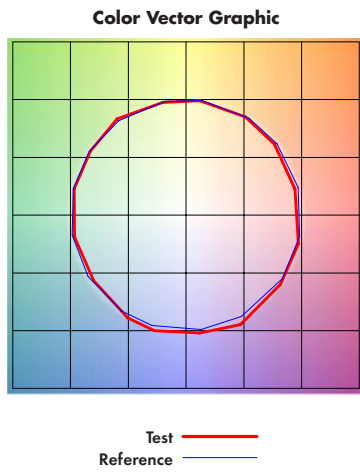
Graphic Shifts (%)			
Hue Bin	Rf	Chroma	Hue
1	90.8	-4.5%	-0.8%
2	92.1	-3.1%	2.5%
3	89.3	-1.0%	4.9%
4	93.4	0.6%	3.0%
5	95.1	2.3%	3.0%
6	94.1	3.2%	-0.2%
7	92.7	0.3%	-3.8%
8	96.9	0.3%	-1.7%
9	95.9	-1.8%	-0.6%
10	93.8	-1.6%	2.7%
11	91.1	0.0%	5.4%
12	89.9	3.9%	0.6%
13	91.3	3.3%	-4.7%
14	88.1	3.6%	-7.9%
15	91.2	-0.4%	-4.9%
16	86.5	-2.6%	-9.0%

30K CCT



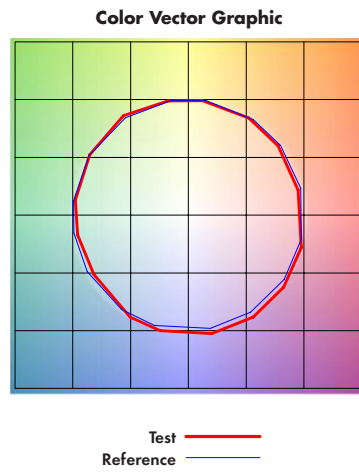
Graphic Shifts (%)			
Hue Bin	Rf	Chroma	Hue
1	91.8	-3.9%	-1.0%
2	93.2	-2.9%	1.9%
3	90.2	-1.1%	4.4%
4	93.9	0.5%	3.1%
5	94.2	-0.5%	2.7%
6	94.7	2.8%	0.1%
7	93.9	0.0%	-2.9%
8	97.6	0.0%	-1.4%
9	95.6	-1.9%	0.6%
10	91.7	-2.2%	3.4%
11	88.9	0.2%	6.7%
12	90.9	4.6%	1.3%
13	93.0	3.1%	-2.8%
14	89.2	4.4%	-6.3%
15	90.0	0.4%	-5.8%
16	87.2	-0.8%	-9.1%

35K CCT



Graphic Shifts (%)			
Hue Bin	Rf	Chroma	Hue
1	93.3	-3.0%	-0.7%
2	95.0	-2.1%	1.2%
3	91.9	-0.8%	3.5%
4	94.2	-0.5%	2.3%
5	93.7	-0.7%	2.1%
6	95.6	2.2%	0.4%
7	96.4	-0.5%	-0.8%
8	97.1	-0.7%	-0.1%
9	95.0	-1.7%	2.0%
10	90.1	-2.0%	5.5%
11	86.8	1.9%	7.8%
12	89.5	4.0%	3.3%
13	94.3	2.9%	-1.4%
14	90.2	5.4%	-4.5%
15	91.3	1.5%	-5.0%
16	88.7	0.4%	-6.4%

40K CCT



Graphic Shifts (%)			
Hue Bin	Rf	Chroma	Hue
1	93.5	-2.5%	-1.3%
2	95.5	-2.0%	0.7%
3	91.2	-1.2%	3.8%
4	92.9	-0.5%	3.2%
5	92.2	0.2%	2.6%
6	95.2	2.6%	0.3%
7	96.7	-0.1%	-1.4%
8	94.8	-1.5%	-0.8%
9	93.5	-2.7%	2.2%
10	88.6	-3.3%	5.4%
11	84.4	1.4%	9.4%
12	86.8	3.4%	5.8%
13	92.5	4.7%	0.3%
14	93.3	4.6%	-0.5%
15	89.8	3.3%	-5.9%
16	87.7	1.6%	-7.1%

Power Supplies

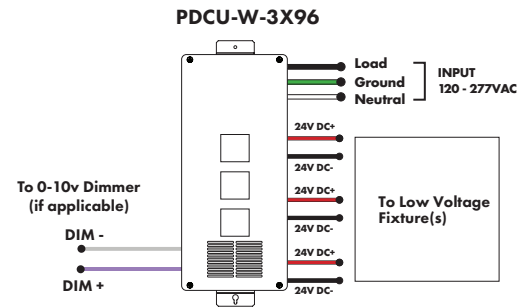
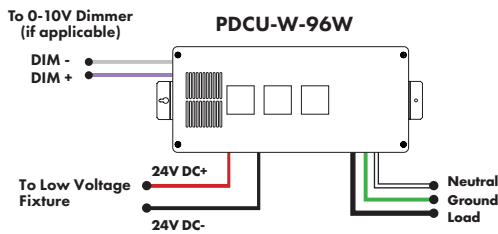
See Power Supply instructions and spec sheet for wiring information. For a complete list of compatible dimmers, see Compatible Dimming Chart on the Resources page.

Universal Power Supply 1% 120VAC - 277VAC

MODEL	POWER	OUTPUT
PDCU-W-IP66 Wet Series	30-30 W 60-60 W 96-96 W 3X96-3X96 W	24-24 VDC

MODELS	PDCU-W 96W	PDCU-W 3X96W	PDCU-W 30W	PDCU-W 60W
Length	8.66"	11.85"	6.50"	7.40"
Width	3.73"	4.32"	3.73"	3.73"
Depth	1.61"	1.81"	1.61"	1.61"

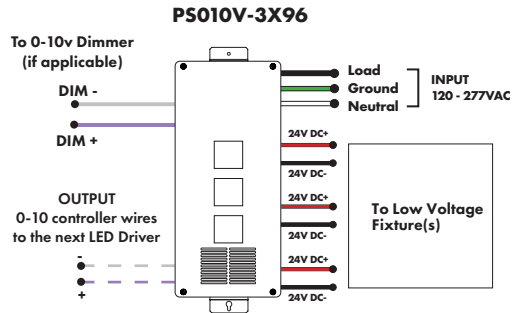
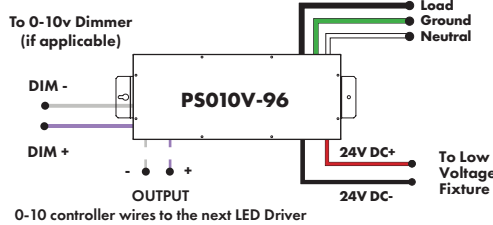
0-10V dims down to 1%, MLV/ELV/TRIAC dims down to 1%.
For a complete list of compatible dimmers, see [Compatible Dimming Chart](#) on the Resources page.



0-10V Dimming Power Supplies 0.1% 120VAC - 277VAC

MODEL	POWER	OUTPUT	DIMMING
PSO10V-0-10V Power Supply dims down to 0.1%	96-96 Watt 3X96-3 X 96 Watt	24-24 VDC	LIN-Linear LOG-Logarithmic

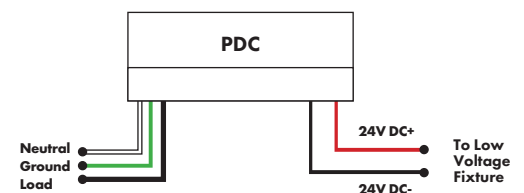
MODELS	96W	3X96
Length	14.40"	15.75"
Width	5.20"	6.62"
Depth	2.60"	4.95"



Triac, MLV, ELV, & PWM Compatible Dimmers

MODEL	POWER	OUTPUT
PDC - (IP20) Power Supply	96 - 96 Watts	24 - 24 VDC

MODELS	96W
Length	8.25"
Width	4.10"
Depth	1.56"



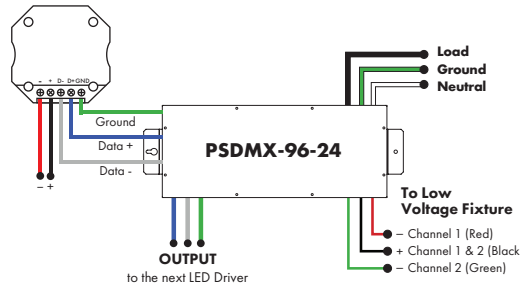
Power Supplies

See Power Supply instructions and spec sheet for wiring information. For a complete list of compatible dimmers, see Compatible Dimming Chart on the Resources page.

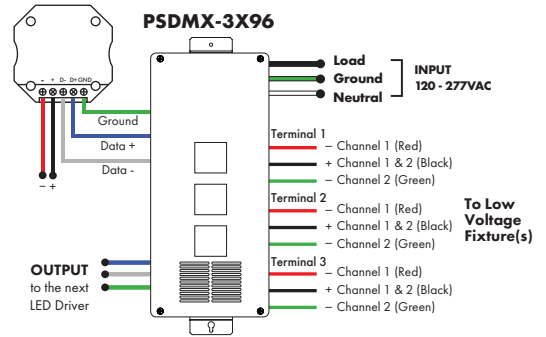
DMX Dimming Power Supplies 120VAC - 277VAC

MODEL	POWER	OUTPUT
PSDMX-DMX Power Supply dims down to 0%	96-96 Watt 3X96-3 X 96 Watt	24-24 VDC

Features eldoLED's LINEARdrive configurable dimmable drivers



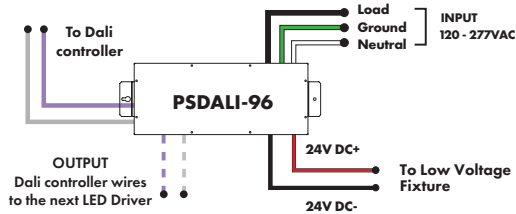
MODELS	96W	3X96
Length	14.40"	15.75"
Width	5.20"	6.62"
Depth	2.60"	4.95"



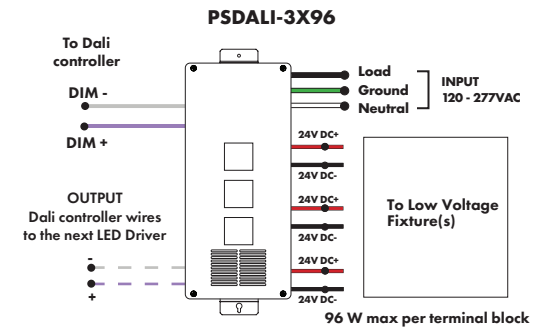
DALI 0% Dimming Power Supplies 120VAC - 277VAC

MODEL	POWER	OUTPUT
PSDALI-DALI Power Supply dims down to 0%	96-96 Watt 3X96-3 X 96 Watt	24-24 VDC

Features eldoLED's LINEARdrive configurable dimmable drivers



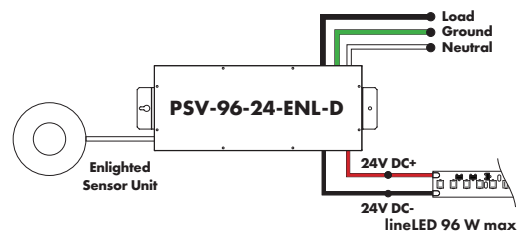
Model	96W	3X96
Length	14.40"	15.75"
Width	5.20"	6.62"
Depth	2.60"	4.95"



Enlighted Enabled Dimming Power Supplies 120VAC - 277VAC

MODEL	POWER	OUTPUT	DIMMING	LOCATION
PSV - PSV Series	96 - 96 Watt	24 - 24 VDC	ENL - Enlighted Dimming dims down to 0%	D - Damp

Model	96W
Length	14.40"
Width	5.20"
Depth	2.60"



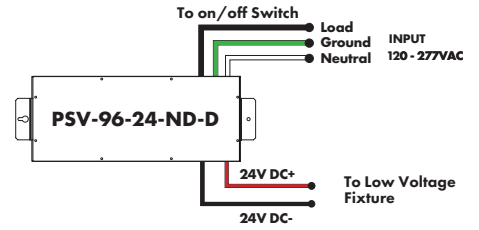
Power Supplies

See Power Supply instructions and spec sheet for wiring information. For a complete list of compatible dimmers, see Compatible Dimming Chart on the Resources page.

Non-Dimming Power Supply 120VAC - 277VAC

MODEL	POWER	OUTPUT	DIMMING	LOCATION
PSV - PSV Series	96 - 96 Watt	24 - 24 VDC	U2ND - Non Dimming	D - Damp

MODELS	96W
Length	14.40"
Width	5.20"
Depth	2.60"



Luminii is a Lutron OEM Advantage Partner

Lutron Power Supplies 1%

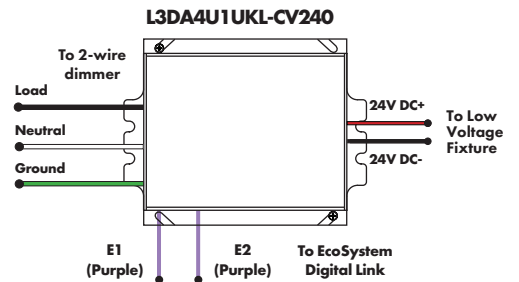
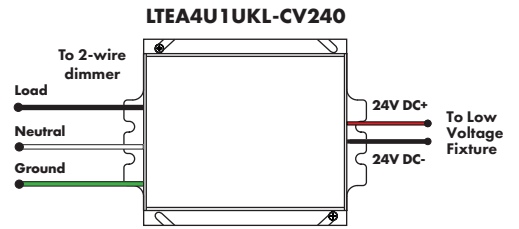
MODEL	MODEL
LTEA4U1UKL-CV240	L3DA4U1UKL-CV240

Lutron - HiLume™ 1% 2-wire LED Driver
40W max

HiLume™ 1% EcoSystem Voltage LED driver
40W max

(120V forward phase only)

MODELS	LTEA4U1UKL-CV240	L3DA4U1UKL-CV240
Length	4.89"	4.98"
Width	4.00"	4.00"
Depth	2.62"	2.62"



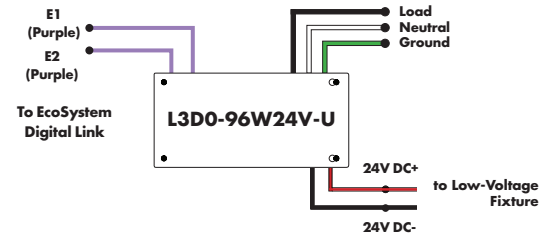
Luminii is a Lutron OEM Advantage Partner

Lutron Power Supplies 0.1%

MODEL
L3D0-96W24V-U

HiLume™ 0.1% EcoSystem Voltage LED Driver with Soft-On, Fade-to-Black™
96W max

MODELS	L3D0
Length	10.50"
Width	5.50"
Depth	2.00"



In-Ground Power Supplies

MODEL	POWER	OUTPUT	INPUT
IG - In ground CVE Series	CVE - ELV Dimming DALI - eldoLED Dali dimming Both dims down to 0%	96X2 - 2 X 96 Watt	24 - 24 VDC
			Blank - 120 V 277 - 240/277 V

MODELS	Dual Circuit
Length	8.40"
Width	8.30"
Depth	8.10"

