

# Stenos Installation Instructions

## Stenos 1" Trimmed Square

Please read all instructions prior to installation and keep for future reference!

1. PRODUCT TO BE INSTALLED BY A QUALIFIED ELECTRICIAN
2. USE ONLY WITH CLASS 2 POWER UNIT
3. 24 VOLTS DC
4. SUITABLE FOR WET LOCATIONS (COVERED CEILING ONLY)
5. HOUSING REQUIRED FOR STANDARD OUTPUT (SO) INSTALLATIONS
6. TYPE IC (CEILING AND WALL)
7. AIRTIGHT PER ASTM E283

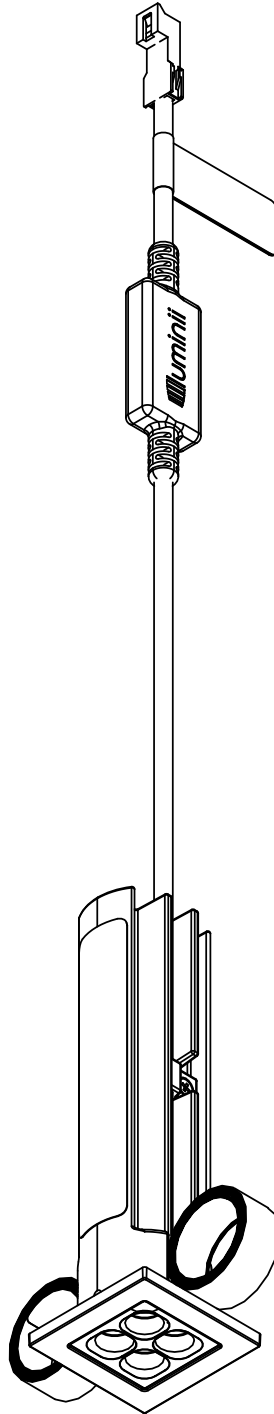


REV 0.6  
03242023

1 / 3



7777 Merrimac Ave  
Niles, IL 60714  
T 224.333.6033  
F 224.757.7557  
info@luminii.com  
www.luminii.com



# Stenos Installation Instructions

Stenos 1" Trimmed Square

Please read all instructions prior to installation and keep for future reference!

1. PRODUCT TO BE INSTALLED BY A QUALIFIED ELECTRICIAN
2. USE ONLY WITH CLASS 2 POWER UNIT
3. 24 VOLTS DC
4. SUITABLE FOR WET LOCATIONS (COVERED CEILING ONLY)
5. HOUSING REQUIRED FOR STANDARD OUTPUT (SO) INSTALLATIONS
6. TYPE IC (CEILING AND WALL)
7. AIRTIGHT PER ASTM E283



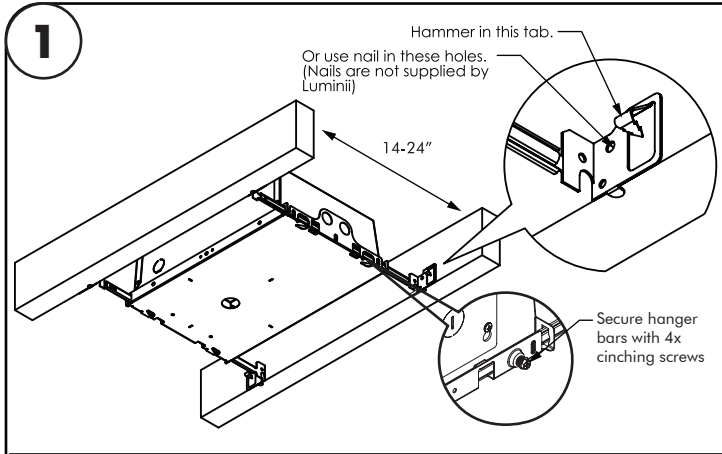
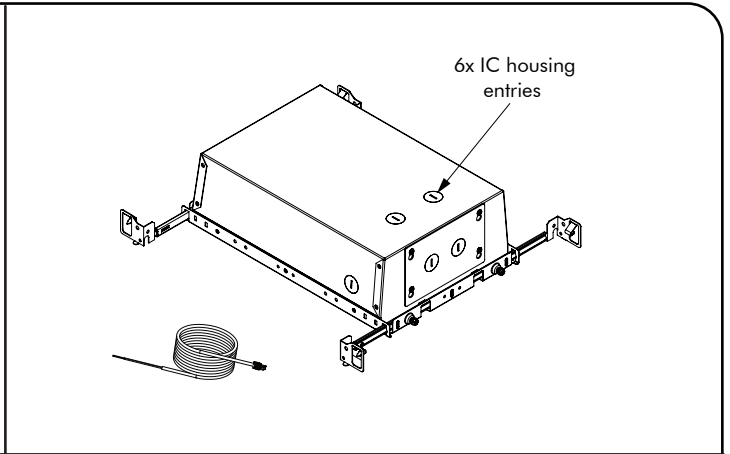
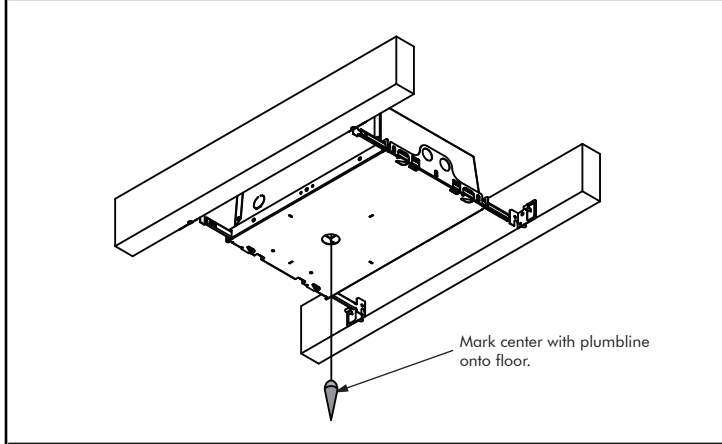
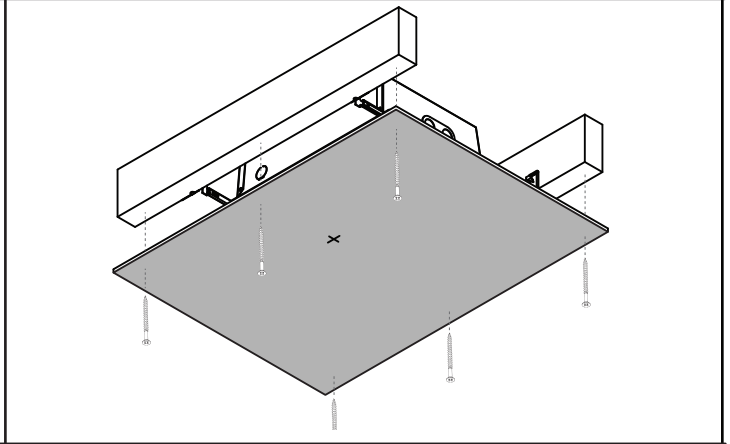
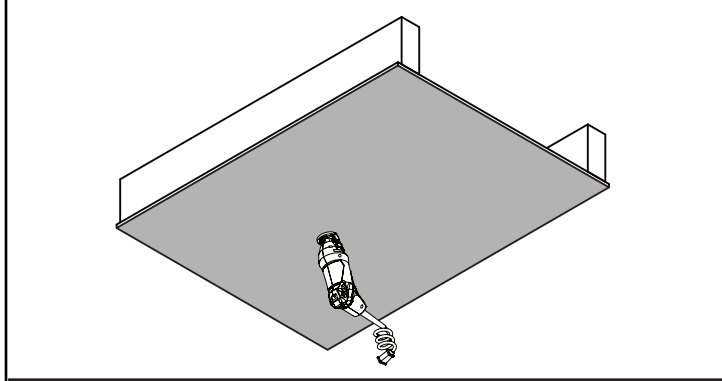
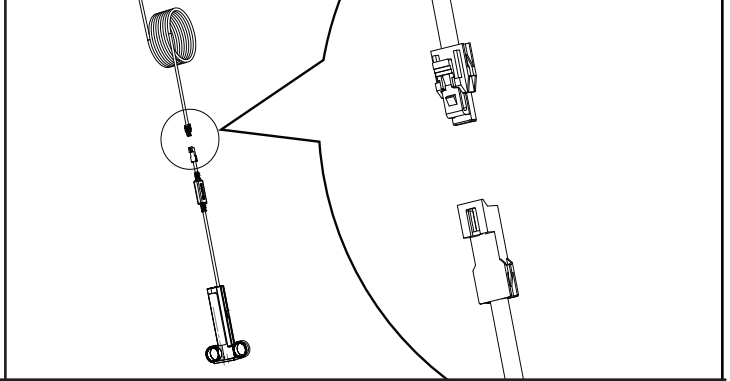
REV 0.6  
03242023

2 / 3



7777 Merrimac Ave  
Niles, IL 60714  
T 224.333.6033  
F 224.757.7557  
info@luminii.com  
www.luminii.com

## New Install with Plaster Frame/IC Housing and Hanger Bars (Required for all Standard Output (SO) installations)

	
<p><b>1.1</b> Align the hanger bars on the plaster frame to the ceiling joists in desired location. Fasten them to the joist by hammering in the tabs on the hanger bars or with nails (supplied by others). Secure with cinching screws</p>	<p><b>1.2</b> Connect remote driver to the IC Housing via the 6 entry options. Connect supplied whip with connector to site connections inside the IC housing.</p>
	
<p><b>1.3</b> Mark fixture center opening on floor with plumbline.</p>	<p><b>1.4</b> Install the drywall to the joists. Mark fixture center from floor marking in 1.3</p>
	
<p><b>1.3</b> Create a cutout using a cutting tool starting at the center mark. *Note: The "Cutting Tool" aka RotoZip cutter will follow the hole in the Plaster Frame as a guide to create the hole which keeps everything concentric*</p>	<p><b>1.3</b> Fish your DC feed from Power Supply. Connect the 2x2 fixture to the power leads using the 72" whip/Molex connector supplied with fixture. <b>DO NOT CUT OFF RECTANGULAR DRIVER</b></p>

# Stenos Installation Instructions

Stenos 1" Trimmed Square



7777 Merrimac Ave  
Niles, IL 60714  
T 224.333.6033  
F 224.757.7557  
info@luminii.com  
www.luminii.com

REV 0.6


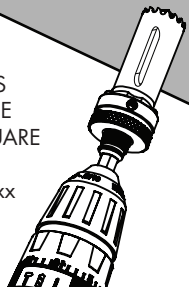
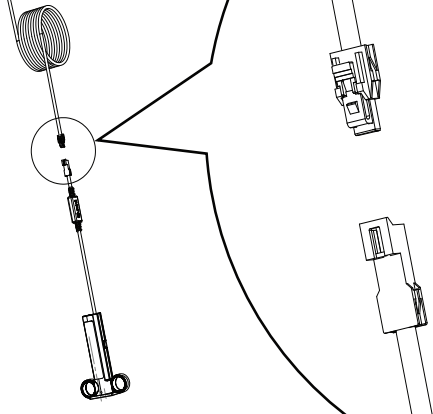
03242023

3 / 3

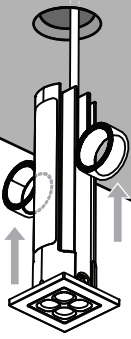
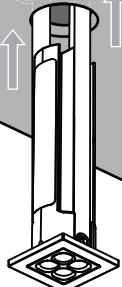
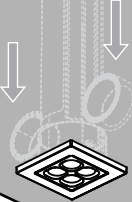
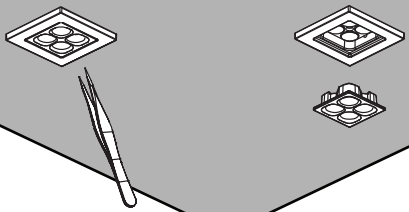
Please read all instructions prior to installation and keep for future reference!

1. PRODUCT TO BE INSTALLED BY A QUALIFIED ELECTRICIAN
2. USE ONLY WITH CLASS 2 POWER UNIT
3. 24 VOLTS DC
4. SUITABLE FOR WET LOCATIONS (COVERED CEILING ONLY)
5. HOUSING REQUIRED FOR STANDARD OUTPUT (SO) INSTALLATIONS
6. TYPE IC (CEILING AND WALL)
7. AIRTIGHT PER ASTM E283

## Mounting Method 2: Remodel Install (Low Output Model ONLY)

<p><b>2</b></p>  <p><b>ATTENTION:</b> REMODEL INSTALLATION IS ONLY PERMITTED WITH THE STENOS 1" TRIMMED SQUARE <b>LOW OUTPUT</b> MODEL i.e. SD-1D-TF-xxK-LO-xxxx-xx</p> 	
<p><b>2.1</b> Using the Accessory 27mm OD Hole Saw, drill through drywall/ceiling at desired location.</p>	<p><b>2.1</b> Fish your DC feed from Power Supply. Connect the fixture to the power leads using the 72" whip/Molex connector supplied with fixture. <b>DO NOT REMOVE RECTANGULAR DRIVER</b></p>

## Fixture Installation and Optical Accessory Installation/Swap

<p><b>3</b></p> 		
<p><b>3.1</b> Unroll the constant force springs from both sides of the fixture. Then place them inside the round cut out one side at a time. Slowly allow the fixture to slide into hole as the constant force spring pull up the fixture</p>		
		
<p><b>3.2</b> To swap secondary Optics, use provided soft tipped tweezers to remove existing magnetically attached louver and install desired version.</p>		