



The SR-DMX-SPI is a smart LED pixel decoder that controls RGB/RGBW pixel LED strips with SPI signal.

Designed with a digital display panel, the pixel controller allows for easy configuration of most settings. Three push buttons are available for control of the LED functions.

Operating voltage
5-24 VDC, Max 12A

Operating temperature range
from -4 °F to +122 °F in case

Input signal
DMX512

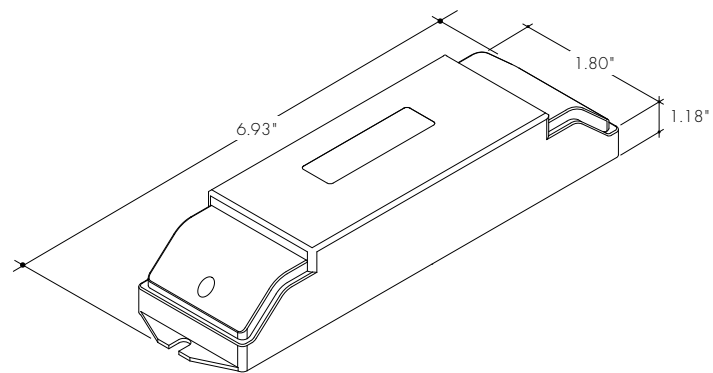
Output signal
SPI

Max wiring distance

32 ft max, decoder to Pixel LEDs
1000 ft max, decoder to Controller

Key Features

- SPI signal output for RGB/RGBW pixel light control
- DMX512 controllable
- 512 DMX decoding channels
- 52 build in sequences for chasing, changing, and static colors
- Works with integrated DMX consoles and sequencing software
- Display panel allows for easy configuration
- Three push buttons available for function control



Note: All DMX products to be installed per DMX512 Standard

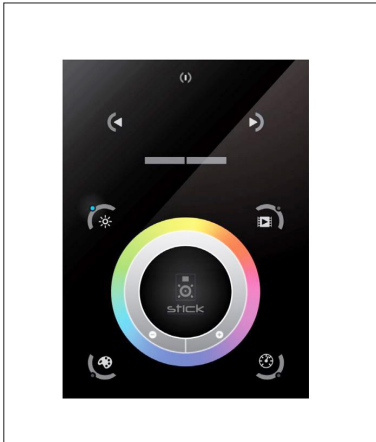
ORDERING CODE

Model
SR-DMX-SPI

SR-DMX-SPI - Smart Pixel Decoder

Touch DMX controller

Touch screen digital LED controller



Programmable advanced DMX512 lighting controller featuring a touch-screen interface. Operates as stand alone controller or integrated with most architectural lighting control systems. Can controller endless DMX512 enabled devices.

Mounts to standard single or dual gang wall box with the included power supply inside the junction box. Terminal block design for power and data connections.

Power supply
7 VDC (included)

Programmability
PC, Mac, Tablet, Smartphone

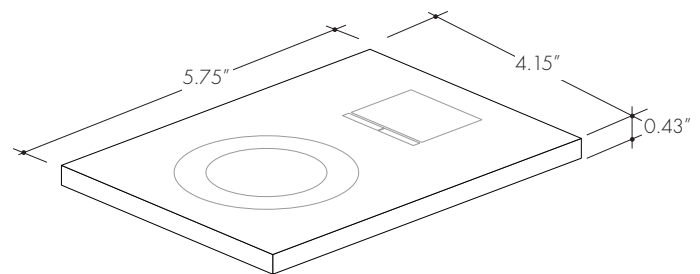
Output signal
DMX512 (1024 channels)

Color parameters

- Brightness
- Saturation
- Speed of color changing sequence
- Fading / dimming / brightness

ORDERING CODE

Model
TSDMX-E
TSDMX-E - Touchscreen DMX controller



Power supply

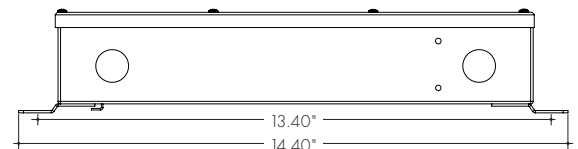
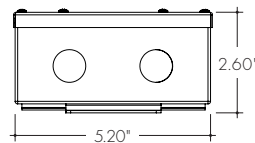
See controller and power supply instructions & spec sheet for wiring information.



With high efficiency and universal AC input, the PSV series class 2 power supplies are suitable for indoor applications and ideal for use with LED lighting.

Cooling is achieved by free air convection.

- **Input voltage**
120 to 277 VAC
- **Output voltage**
24VDC
- **Safety**
UL 8750



ORDERING CODE

MODEL	POWER	OUTPUT	DIMMING	LOCATION
PSV	96	24	U2ND	D
PSV - PSV Series	96 - 96 W	24 - 24 VDC	U2ND - Non Dimming	D - Dry Location