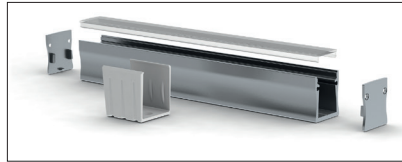
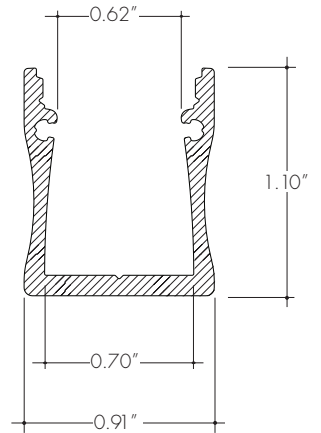
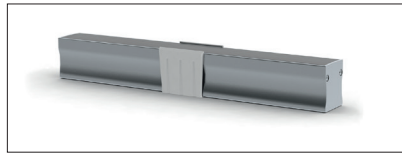


The SLW20 Channel is a surface-mount anodized aluminum extrusion that can accommodate a wider range of LED strips. SLW20 can be mounted with mounting brackets or adhesive directly onto the desired surface. The extrusion profile comes with frosted or clear diffuser. End caps and mounting brackets sold separately. Extrusion is field cuttable.

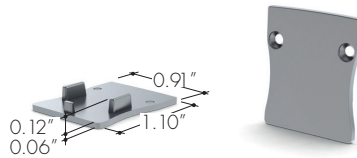


SLW20 assembly



### Accessories

Endcaps, silver anodized finish  
**EC-SLW20-H1**



Mounting bracket, gray finish  
**MC-SLW20**



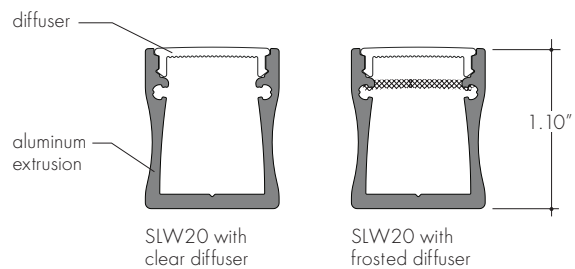
### Technical information

**Finish:** Silver anodized

**Diffuser lens:** clear or frosted (polycarbonate, snap-in-place, UV resistant, linear spread)

**Mounting:** multiple mounting brackets

	<b>39</b>	<b>78</b>	<b>118</b>
Actual length	39.40"	78.75"	118.19"
Available lenses	clear frosted	clear frosted	frosted



### Ordering code

Model	Length	Diffuser	Finish
SLW20	39	C	SA
SLW20 - SLW20 aluminum extrusion	39 - 39.40" 78 - 78.75" 118 - 118.19"	*C - Clear F - Frosted	SA - Silver anodized

\* Only available for 39" & 78" models