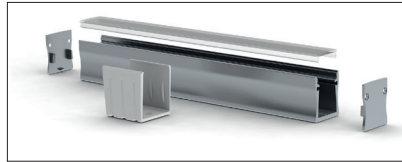
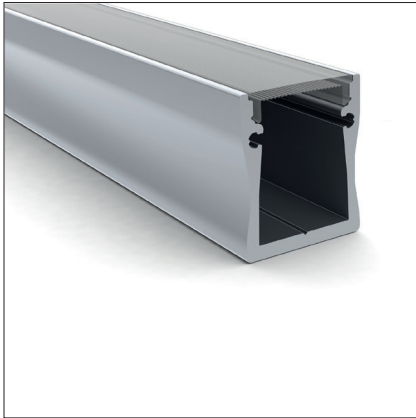


SLW20 Channel

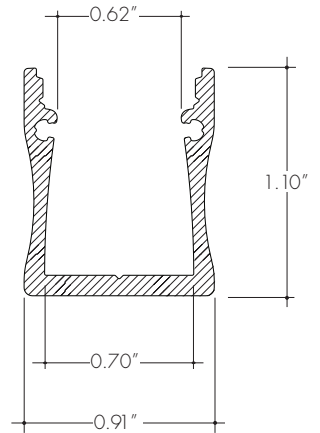
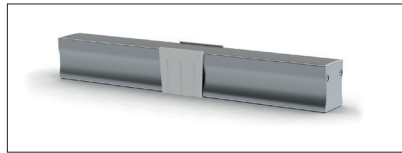
Extruded aluminum profile



The SLW20 Channel is a surface-mount anodized aluminum extrusion that can accommodate a wider range of LED strips. SLW20 can be mounted with mounting brackets or adhesive directly onto the desired surface. The extrusion profile comes with frosted or clear diffuser. End caps and mounting brackets sold separately. Extrusion is field cuttable.

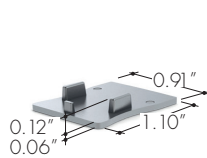


SLW20 assembly

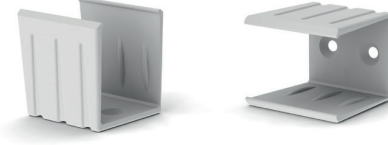


Accessories

Endcaps, silver anodized finish
EC-SLW20-H1



Mounting bracket, gray finish
MC-SLW20



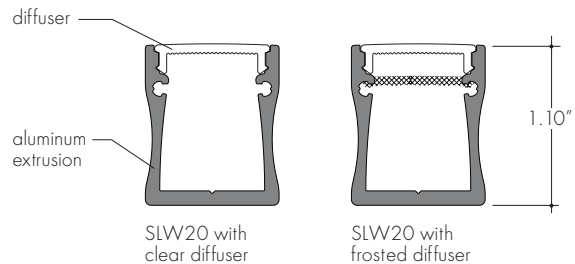
Technical information

Finish: Silver anodized

Diffuser lens: clear or frosted
(polycarbonate, snap-in-place, UV resistant, linear spread)

Mounting: multiple mounting brackets

| | 39 | 78 | 118 |
|-------------------------|------------------|------------------|------------|
| Actual length | 39.40" | 78.75" | 118.19" |
| Available lenses | clear frosted | clear frosted | frosted |



Ordering code

| | | | | | | |
|----------------------------------|---|---|---|---------------------------|---|----------------------|
| Model SLW20 | - | Length 39 | - | Diffuser C | - | Finish SA |
| SLW20 - SLW20 aluminum extrusion | | 39 - 39.40" 78 - 78.75" 118 - 118.19" | | *C - Clear F - Frosted | | SA - Silver anodized |

*Only available for 39" & 78" models

NOTE: For Channels and Lenses over 90", incremental shipping charges will apply