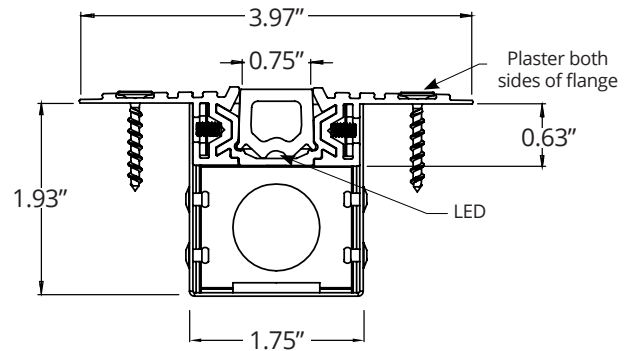




**TECHNICAL INFORMATION**



A recessed mud-in system with 100' single piece lens for long, continuous runs.

**FEATURES**

- Recesses into 5/8" drywall
- Seamless lens up to 100' long
- Factory built precision Inside and Outside Corners
- Three Output Options Available
- Painted Eggshell RAL 9010 with primer to accept field painting
- Single micro binned LEDs +/- 100 CCT
- 5 Year Warranty

MODEL	SO (LL91STP-SO)	MO (LL91STP-MO)	HO (LL91STP-HO)
Lumens @ 3000K	113 lum/ft	210 lum/ft	312 lum/ft
Average power consumption	2.0 W/ft	4.0 W/ft	7.0 W/ft
Efficacy lum/watt	57 lum/W	53 lum/W	45 lum/W
Maximum run length	40 ft	24 ft	13 ft
Operating Temp.	-20°C (-40°F) to 50° C (122°F)	Environment.	IP20 Dry Location

**ORDERING CODE FOR STRIAIGHT SECTIONS**

MODEL	LENGTH	CCT	OUTPUT	LEFT END	RIGHT END	POWER FEED POSITION / TYPE
SL = Slot 0.75	12"- 96" = 4" increments, refer to page 2 for more information	18K = 1800K 23K = 2300K* 27K = 2700K 29K = 2900K 35K = 3500K 41K = 4100K	SO = Standard MO = Medium HO = High	LE = w/ endcap LN = w/o endcap	RE = w/ endcap RN = w/o endcap	B = Bottom JB = Integrated junction box 1 = 72" Wire leads

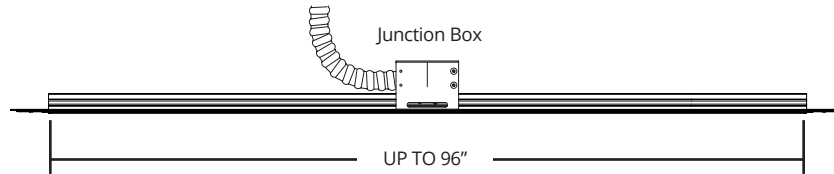
\* Not available with SO or MO output

**POWER FEED TYPES**

**JB-1:** Slot with Integrated Junction Box

FOR STRIAIGHT SINGLE FIXTURE, LE-RE MUST BE USED IN THE ORDERING CODE TO INCLUDE BOTH ENDCAPS.

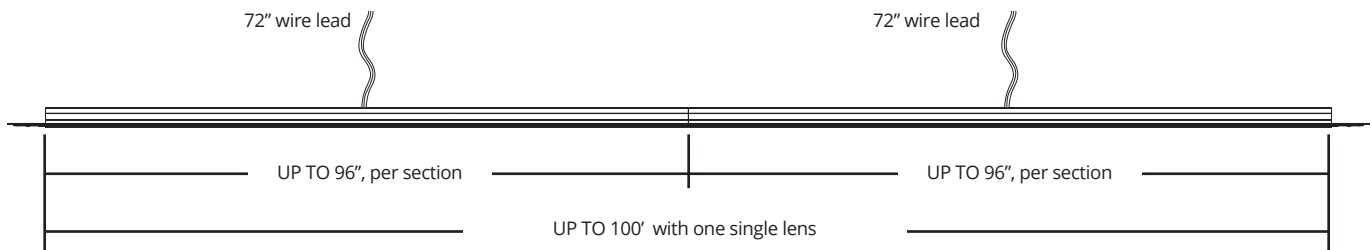
EX. PART# SL-96-30K-SO-LE-RE-JB-1



**B-1:** Slot with 72" wire lead coming out though the center of fixture, also joining to another fixture section.

FOR SYSTEM LENGTHS LE MUST BE USED ON THE LEFT HAND SIDE FIXTURE, THEN RE ON THE RIGHT HAND FIXTURE

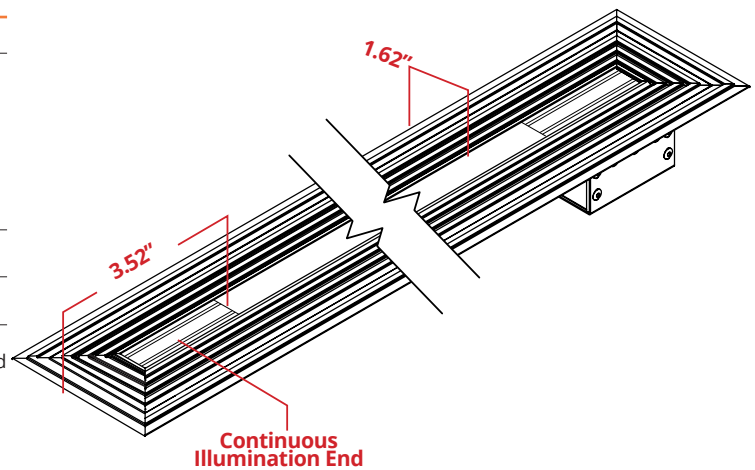
EX. PART# SL-96-30K-SO-LE-RN-B-1 & SL-96-30K-SO-LN-RE-B-1



**ADDITIONAL INFORMATION**

**ELECTRICAL**

<b>Input Voltage</b>	24VDC
<b>Dimming Options</b>	<ul style="list-style-type: none"> <li>• PURE DC™</li> <li>• PSD Series</li> <li>• 0-10V</li> <li>• VintageDim®</li> <li>• DMX</li> <li>• Lutron (2-WIRE, 3-WIRE, EcoSystem)</li> </ul>
<b>Power Consumption</b>	2.0W, 4.0W, 7.0W per foot
<b>Wire Size</b>	18AWG
<b>Certification</b>	<p><b>ETL</b> - Conforms to UL Std. 2108; Certified to CSA Std. C22.2 No. 9.0.</p> <p><b>Title 24</b> - All White and Variable White Colors are JA8 2016</p>



**PHYSICAL**

<b>Operating Temperature</b>	-20° C (-40°F) to +50°C (+122°F)
<b>Environment</b>	<b>IP20</b> - Dry Location

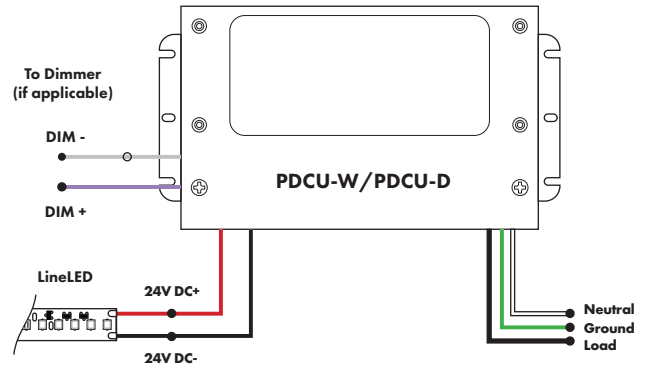
### Power Supply

See fixture and power supply instructions & spec sheet for wiring information. Dimming possible in select models - view Luminii website for list of compatible dimmers.

#### Universal Power Supply

MODEL	POWER	OUTPUT
<b>PDCU-W</b>	<b>96</b>	<b>24</b>
PDCU-W - IP66 Wet Series	96 - 96 W 3X96 - 3X96 W	24 - 24 VDC
PDCU-D - IP20 Dry Series	30 - 30 W 60 - 60 W 96 - 96 W 3X96 - 3X96 W	

0-10V - 1% dimming  
MLV/ELV/TRIAC - 1% dimming, consult dimming compatibility chart  
Compatibility:  
View a complete list of compatible dimmers on product page ([Link](#))

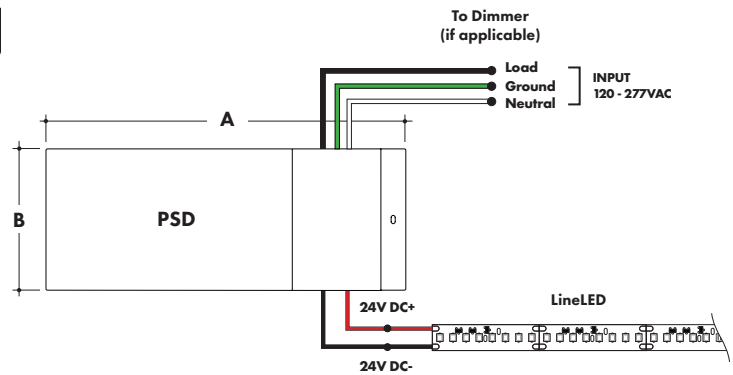


MODELS	PDCU-W 96W	PDCU-W 3X96W	PDCU-D 30W	PDCU-D 60W	PDCU-D 96W	PDCU-D 3X96W
<b>A Length</b>	8.66"	11.85"	6.10"	7.93"	8.25"	9.57"
<b>B Width</b>	3.73"	4.32"	3.35"	3.35"	4.10"	5.94"
<b>Depth</b>	1.61"	1.81"	1.33"	1.32"	1.56"	1.13"

#### Magnetic Low Voltage Dimming Power Supplies

MODEL	POWER	OUTPUT	INPUT
<b>PSD</b>	<b>48</b>	<b>24</b>	
PSD - PSD Series dims down to 0%	48 - 48 Watt 96 - 96 Watt 288 - 288 Watt (3 x 96Watt)	24 - 24 VDC	Blank - 120 V 240 - 240 V 277 - 277 V

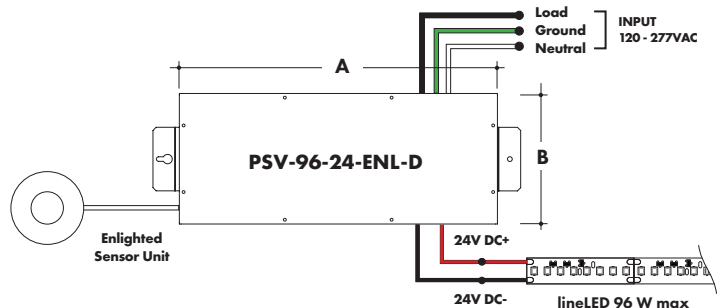
MODELS	48W	96W	288W
<b>A Length</b>	11.25"	11.25"	13.06"
<b>B Width</b>	3.42"	3.42"	8.42"
<b>Depth</b>	3.42"	3.27"	4.47"



#### Enlighted Enabled Dimming Power Supplies:

MODEL	POWER	OUTPUT	DIMMING	LOCATION
<b>PSV</b>	<b>96</b>	<b>24</b>	<b>ENL</b>	<b>D</b>
PSV - PSV Series	96 - 96 Watt	24 - 24 VDC	ENL - Enlighted Dimming	D - Damp

MODELS	96W
<b>A Length</b>	14.40"
<b>B Width</b>	5.20"
<b>Depth</b>	2.60"



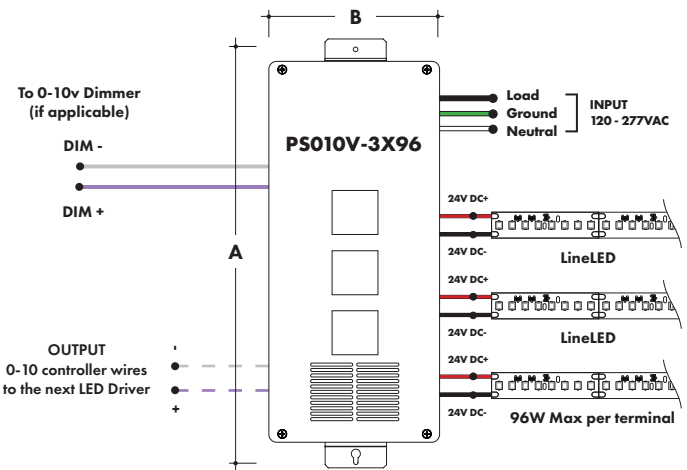
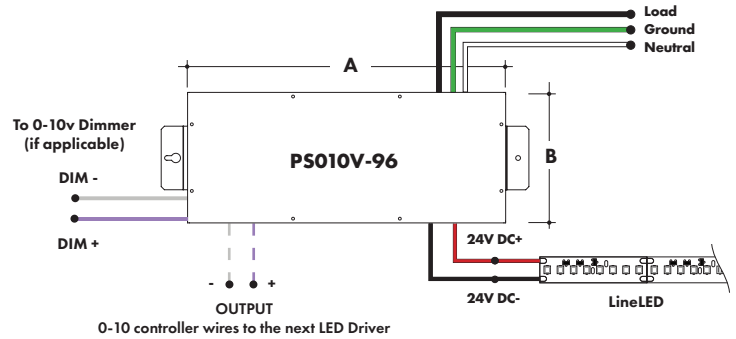
### Power Supply

See fixture and power supply instructions & spec sheet for wiring information. Dimming possible in select models - view Luminii website for list of compatible dimmers.

#### 0-10V Dimming Power Supplies

MODEL	POWER	OUTPUT	DIMMING
<b>PS010V</b>	<b>96</b>	<b>24</b>	<b>LIN</b>
PS010V - 0-10V Power Supply dims down to 0%	96 - 96 Watt 3X96 - 3 X 96 Watt	24 - 24 VDC	LIN - Linear LOG - Logarithmic

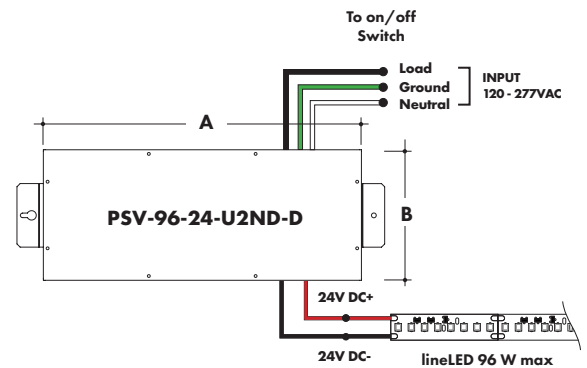
MODELS	96W	3X96
<b>A Length</b>	14.40"	15.75"
<b>B Width</b>	5.20"	6.62"
<b>Depth</b>	2.60"	4.95"



#### Non-Dimming Power Supply

MODEL	POWER	OUTPUT	DIMMING	LOCATION
<b>PSV</b>	<b>96</b>	<b>24</b>	<b>U2ND</b>	<b>D</b>
PSV - PSV Series	96 - 96 Watt	24 - 24 VDC	U2ND - Non Dimming	D - Damp

MODELS	96W
<b>A Length</b>	14.40"
<b>B Width</b>	5.20"
<b>Depth</b>	2.60"



## Power Supply

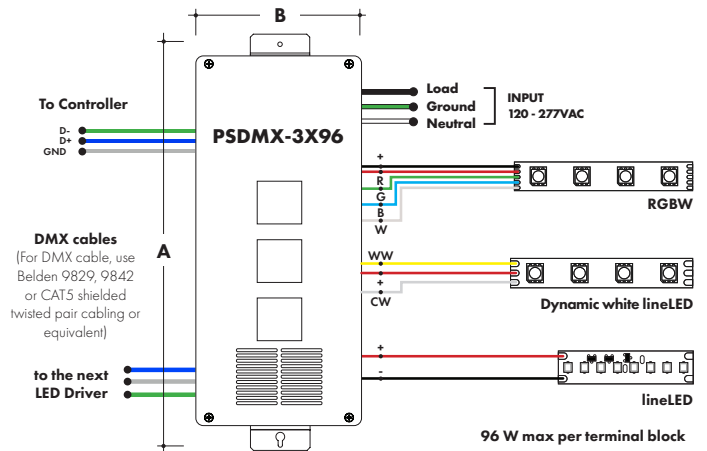
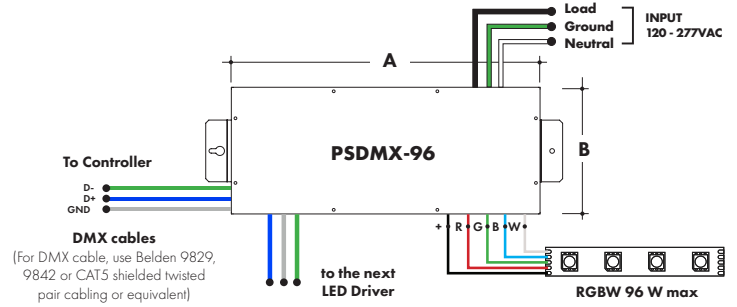
See fixture and power supply instructions & spec sheet for wiring information. Dimming possible in select models - view luminii website for list of compatible dimmers.

### DMX Dimming Power Supplies

MODEL	POWER	OUTPUT
<b>PSDMX</b>	<b>96</b>	<b>24</b>
PSDMX - DMX Power Supply	96 - 96 Watt 3X96 - 3 X 96 Watt	24 - 24 VDC

Features eldoLED's LINEARdrive configurable dimmable drivers

MODELS	96W	3X96
<b>A Length</b>	14.40"	15.75"
<b>B Width</b>	5.20"	6.62"
<b>Depth</b>	2.60"	4.95"

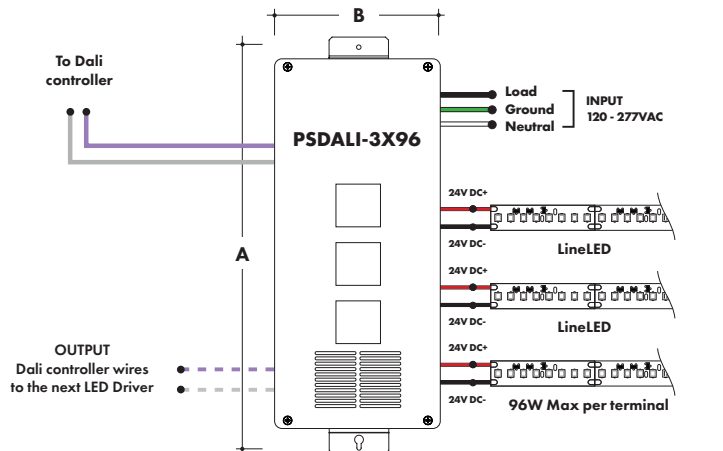
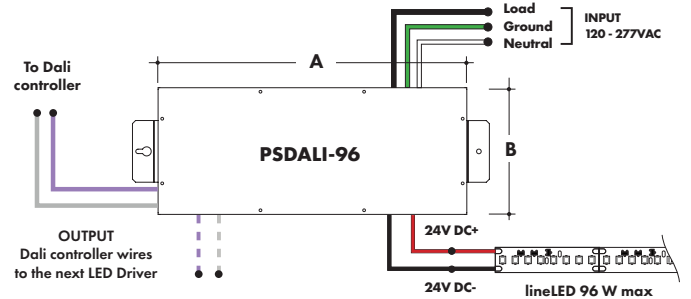


### DALI Dimming Power Supplies

MODEL	POWER	OUTPUT
<b>PSDALI</b>	<b>96</b>	<b>24</b>
PSDALI - DALI Power Supply	96 - 96 Watt 3X96 - 3 X 96 Watt dims down to 0%	24 - 24 VDC

Features eldoLED's LINEARdrive configurable dimmable drivers

MODELS	96W	3X96
<b>A Length</b>	14.40"	15.75"
<b>B Width</b>	5.20"	6.62"
<b>Depth</b>	2.60"	4.95"



**Power Supply**

See fixture and power supply instructions & spec sheet for wiring information. Dimming possible in select models - view Luminii website for list of compatible dimmers.



Luminii is a Lutron OEM Advantage Partner

MODEL

**LTEA4U1UKL-CV240**

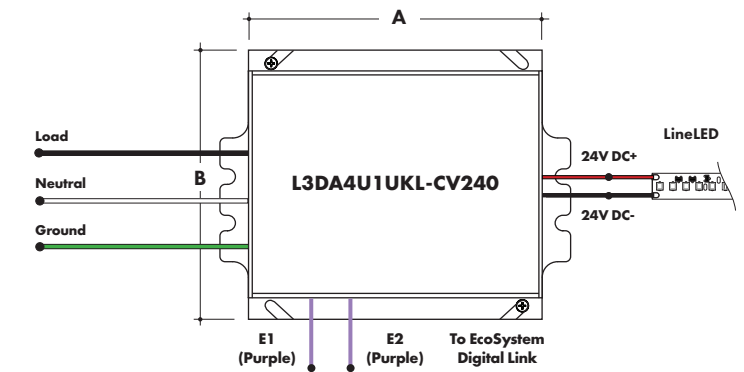
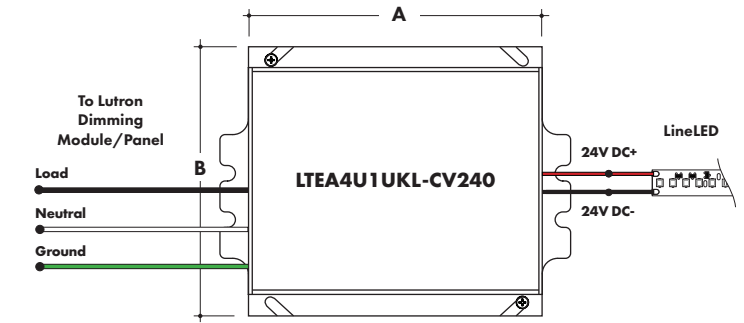
Lutron - HiLume™ 1% 2-wire LED Driver  
(120V forward phase only)

MODEL

**L3DA4U1UKL-CV240**

HiLume™ 1% EcoSystem Voltage LED driver

MODELS	LTEA4U1UKL-CV240	L3DA4U1UKL-CV240
<b>A Length</b>	4.89"	4.98"
<b>B Width</b>	4.00"	4.00"
<b>Depth</b>	2.62"	2.62"



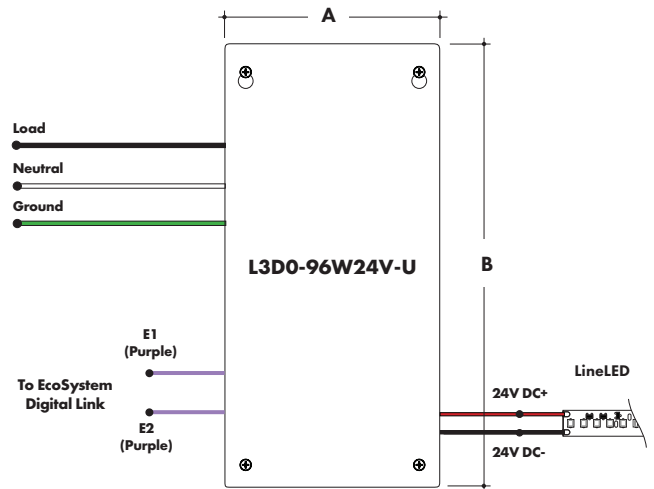
Luminii is a Lutron OEM Advantage Partner

MODEL

**L3D0-96W24V-U**

HiLume™ 0.1% EcoSystem Voltage LED Driver with Soft-On, Fade-to-Black™

MODELS	L3D0
<b>A Length</b>	10.50"
<b>B Width</b>	5.50"
<b>Depth</b>	2.00"



## Power Supply

See fixture and power supply instructions & spec sheet for wiring information. Dimming possible in select models - view Luminii website for list of compatible dimmers.

### In ground, Electronic Low Voltage Dimming Power Supplies

MODEL	POWER	OUTPUT	INPUT
<b>IG</b> - CVE	<b>96X2</b>	<b>24</b>	Blank - 120 V 277 - 240/277 V
IG - In ground CVE Series	96X2 - 2 X 96 Watt	24 - 24 VDC	
CVE - ELV Dimming DALI - eldoLED Dali dimming Both dims down to 0.1%			

MODELS	Dual Circuit
<b>A Length</b>	8.40"
<b>B Width</b>	8.30"
<b>Depth</b>	8.10"

