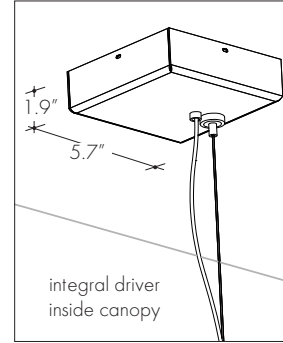


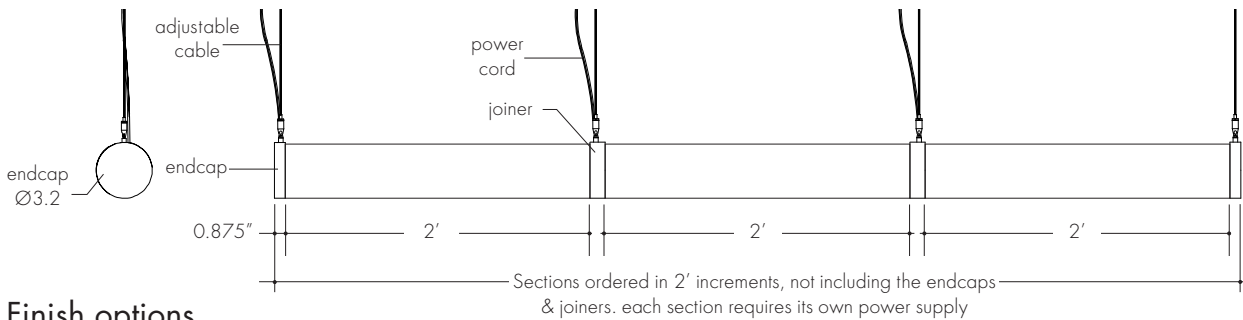
Cylinder shape with 360 degree diffused illumination. Available in one light output and connects multiple straight sections together. Scout straight sections are available from 2' through 8'. The fixture can be customized to fit a wide range of applications. Comes with a 8ft silver adjustable cable with sloped ceiling standoffs. Multiple integral driver options available.



Made in USA

UL LISTED

RoHS Compliant



SINGLE BIN +/- 30 CCT

dimmmable

Finish options



Black powder coated



Bronze powder coated



Silver powder coated



White powder coated

Technical information

Output Options		Power Load	
Output type	HO	Model	Wattage
Lumens at 3000K	600 lum/ft	48"	18 W
Average power consumption	4.5 W/ft	72"	27 W
Input Voltage	110 - 277 VAC	96"	37 W

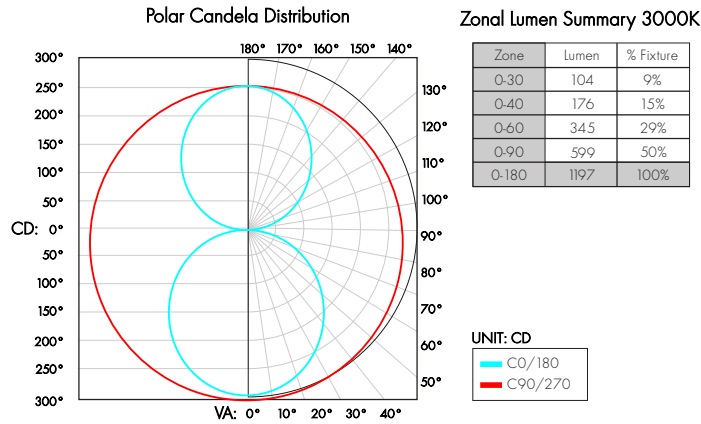
Ordering code

MODEL	ORIENTATION	SECTION LENGTH	NUMBER OF SECTIONS	CCT	OUTPUT	LENS	FINISH	DRIVER
SCT-JOIN	HR	2'	3	30K	HO	F	SL	DALI
<p>SCT-JOIN - Scout straight joining system</p> <p>HR - Horizontal</p> <p>2' - 2' increments, up to 8' per section</p> <p># - number of sections needed to complete run</p> <p>30K - 3000K</p> <p>35K - 3500K</p> <p>41K - 4100K</p> <p>HO - High output</p> <p>F - Frosted</p> <p>SL - Silver</p> <p>BK - Black</p> <p>BZ - Bronze</p> <p>WH - White</p> <p>DALI - eldoLED Dali</p> <p>D010 - eldoLED 0-10V Dimming</p> <p>*L3D - Lutron Ecosystem 3 wire</p> <p>*LDE1 - Lutron Ecosystem H-Series</p>								

*Not available with 8' option

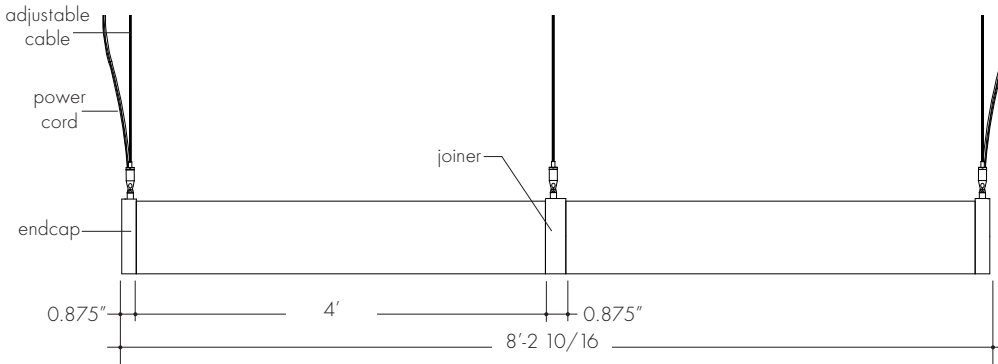
Photometry

SCT-XX-24-30K-HO-F-XX-D010



Sample Layout

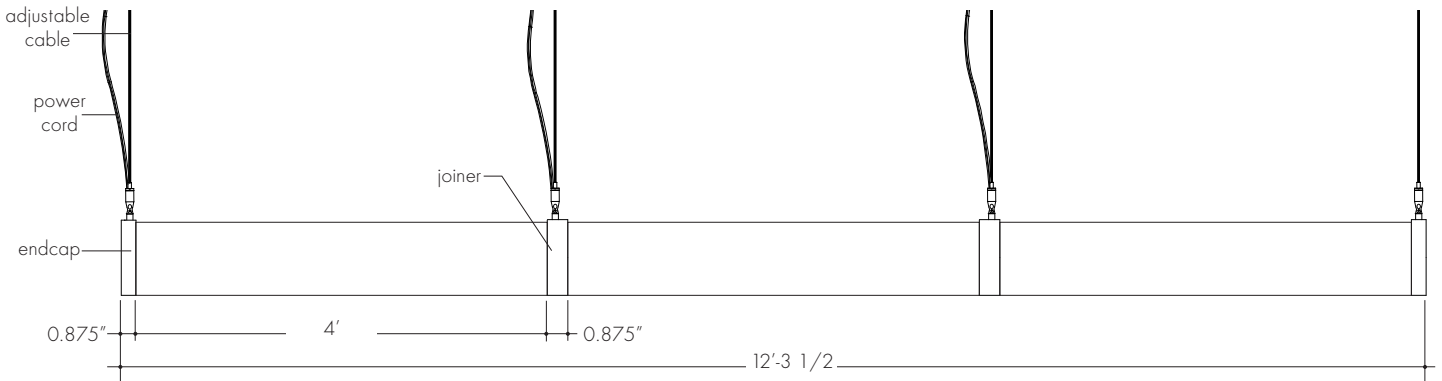
2 Section system: power cord located at the ends of the system



MODEL	ORIENTATION	SECTION LENGTH	NUMBER OF SECTIONS	CCT	OUTPUT	LENS	FINISH	DRIVER
SCT-JOIN	HR	4'	2	30K	HO	F	SL	DALI
SCT-JOIN - Scout straight joining system	HR - Horizontal	2' - 2' increments, up to 8' per section	# - number of sections needed to complete run	30K - 3000K 35K - 3500K 41K - 4100K	HO - High output	F - Frosted	SL - Silver BK - Black BZ - Bronze WH - White	DALI - eldoLED Dali D010 - eldoLED 0-10V Dimming *L3D - Lutron Ecosystem 3 wire *LDE1 - Lutron Ecosystem H-Series

* Not available with 8' option

Over 2 Section system: power cords located at every joiner and 1 endcap



MODEL	ORIENTATION	SECTION LENGTH	NUMBER OF SECTIONS	CCT	OUTPUT	LENS	FINISH	DRIVER
SCT-JOIN	HR	4'	3	30K	HO	F	SL	DALI
SCT-JOIN - Scout straight joining system	HR - Horizontal	2' - 2' increments, up to 8' per section	# - number of sections needed to complete run	30K - 3000K 35K - 3500K 41K - 4100K	HO - High output	F - Frosted	SL - Silver BK - Black BZ - Bronze WH - White	DALI - eldoLED Dali D010 - eldoLED 0-10V Dimming *L3D - Lutron Ecosystem 3 wire *LDE1 - Lutron Ecosystem H-Series

* Not available with 8' option