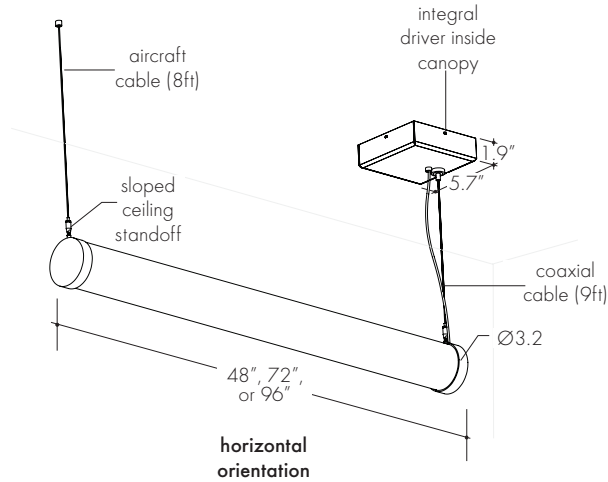


Cylinder shape with 360 degree diffused illumination, Scout is available as a horizontal mount suspension fixture. Available in one light output and 3 standard lengths, the fixture can be customized to fit a wide range of applications. Horizontal model comes with a 8ft silver adjustable cable with sloped ceiling standoffs. Multiple integral driver options available.



RoHS Compliant

SINGLE BIN
±.30 CCT



Finish options



Technical information

Output Options		Power Load/Length	
Output type	HO	Model (actual length)	Wattage
Lumens at 3000K	600 lum/ft	48" (49-3/16")	18 W
Average power consumption	4.5 W/ft	72" (71-6/16")	27 W
Input Voltage	110 - 277 VAC	96" (96-7/16")	37 W

Ordering code

MODEL	ORIENTATION	LENGTH	CCT	OUTPUT	LENS	FINISH	DRIVER
SCT	HR	48	30K	HO	F	SL	DALI
SCT - Scout	HR - Horizontal	48", 72", 96"	30K - 3000K 35K - 3500K 41K - 4100K	HO - High output	F - Frosted	SL - Silver BK - Black BZ - Bronze WH - White	DALI - eldoLED Dali D010 - eldoLED 0-10V Dimming *L3D - Lutron Ecosystem 3 wire *LDE1 - Lutron Ecosystem H-Series

*Not available with 96" option