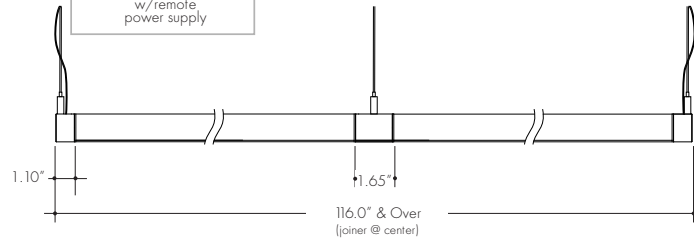
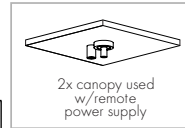
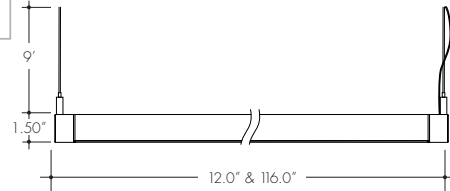
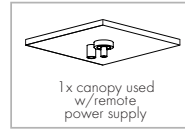
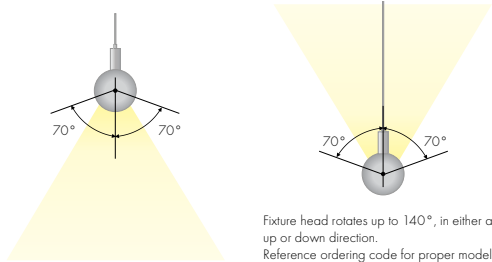


Extruded aluminum display & suspension light system, Runda features specifically designed LED engine that provides constant illumination levels from the beginning to the end of the runs. Available in sections up to 116" long with the option to extend up to 232" long using the provided joiner. Class 2 listed for damp location.



Finish options



Black powder coated



Bronze powder coated



Silver anodized



White powder coated

Technical information

OUTPUT OPTIONS

Output	Lumens at 3000K (with clear lens)	Average power consumption at 4'	Lumens / Watt	Maximum system length Achievable via feed through fixture wiring
HO	502 lm/ft	10.2 W/ft	49 lm/W	10'

Color temperature	Multiplier (reference - 3000K)	CRI	R _f	R _g
2700K	0.81	97	95	101
3000K	1.00	91	89	98
3500K	1.05	94	90	102
4100K	1.28	94	86	96

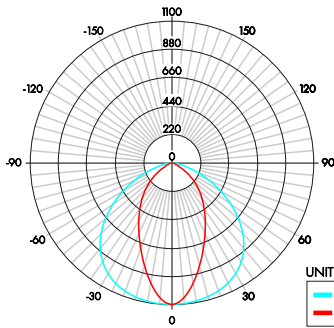
Ordering code

MODEL	LENGTH	CCT	OUTPUT	LENS	LIGHT DIRECTION	MOUNTING	FINISH
RUN	12	27K	HO	C	UP	S	SA
RUN - Runda	12" - 232" 4" increments, over 116" comes with 2 fixture sections. refer to line drawing above for details	27K - 2700 K 30K - 3000 K 35K - 3500 K 41K - 4100 K	HO - High	C - Clear F - Frosted	U - Up D - Down	S - Suspension	SA - Silver BK - Black BZ - Bronze WH - White <small>[BK,BZ,WH finishes will have an upcharge and require longer lead times]</small>

Photometry

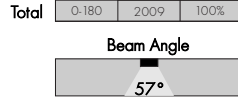
RUN-48-30K-HO-C-XX

RCR-48-30K-HO-F-XX

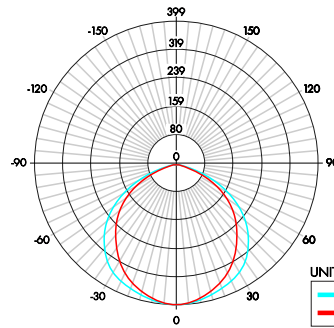


Zonal Lumen Summary 3000K

Zone	Lumen	% Fixture
0-30	723	36%
0-40	1109	55%
0-60	1713	85%
0-90	1990	99%
0-180	2009	100%

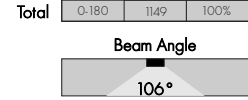


UNIT: CD
 C0/180
 C90/270



Zonal Lumen Summary 3000K

Zone	Lumen	% Fixture
0-30	310	27%
0-40	511	44%
0-60	902	79%
0-90	1134	99%
0-180	1149	100%

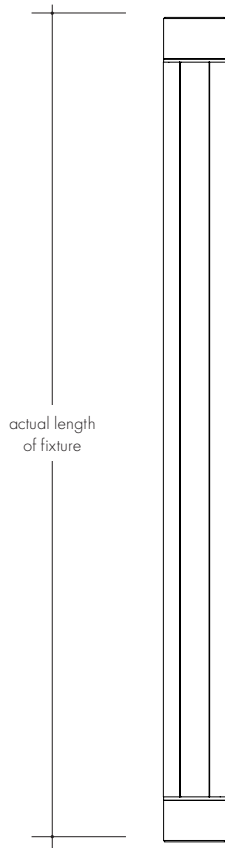
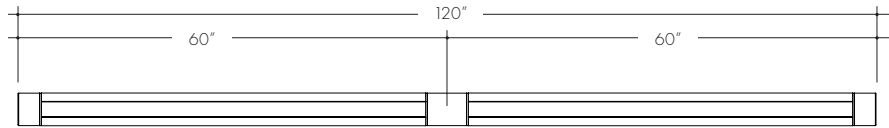


UNIT: CD
 C0/180
 C90/270

Power consumption per fixture length

Based on operation with PSD series of power supplies.

EXAMPLE if over 116": you would receive 2 Runda fixtures, each section requiring its own power supply



Nominal Length	HO		
	Actual Length	W/ft	Total wattage
12"	14-12/16"	10.80	10.80
16"	18-11/16"	10.73	13.80
20"	22-11/16"	10.67	16.80
24"	26-10/16"	10.60	19.80
28"	30-8/16"	10.57	23.50
32"	34-8/16"	10.53	27.20
36"	38-7/16"	10.50	30.90
40"	42-6/16"	10.47	34.30
44"	46-5/16"	10.43	37.70
48"	50-4/16"	10.40	41.10
52"	55-8/16"	10.37	44.60
56"	59-7/16"	10.33	48.10
60"	63-6/16"	10.30	51.60
64"	67-5/16"	10.27	55.50
68"	71-4/16"	10.23	59.00
72"	75-3/16"	10.20	63.20
76"	79-2/16"	10.17	66.20
80"	83-2/16"	10.14	69.10
84"	87-1/16"	10.10	72.10
88"	90-15/16"	10.04	74.50
92"	94-14/16"	9.97	76.90
96"	98-14/16"	9.90	79.40
100"	102-13/16"	9.85	82.30
104"	106-12/16"	9.80	85.20
108"	110-11/16"	9.75	88.10
112"	114-10/16"	9.70	91.70
116"	120-4/16"	9.65	95.30

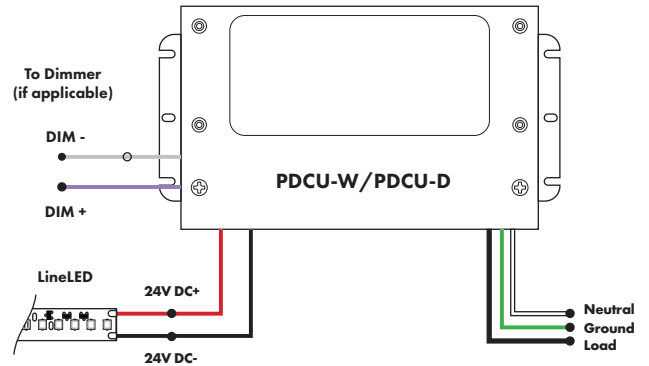
Power Supply

See fixture and power supply instructions & spec sheet for wiring information. Dimming possible in select models - view Luminii website for list of compatible dimmers.

Universal Power Supply

MODEL	POWER	OUTPUT
PDCU-W	96	24
PDCU-W - IP66 Wet Series	96 - 96 W 3X96 - 3X96 W	24 - 24 VDC
PDCU-D - IP20 Dry Series	30 - 30 W 60 - 60 W 96 - 96 W 3X96 - 3X96 W	

0-10V - 1% dimming
MLV/ELV/TRIAC - 1% dimming, consult dimming compatibility chart
Compatibility:
View a complete list of compatible dimmers on product page ([Link](#))

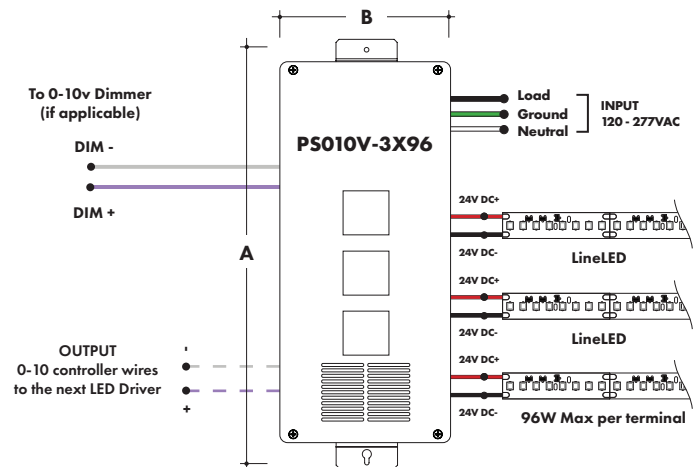
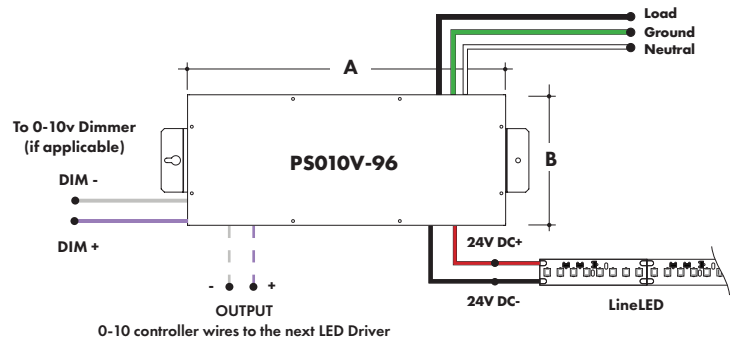


MODELS	PDCU-W 96W	PDCU-W 3X96W	PDCU-D 30W	PDCU-D 60W	PDCU-D 96W	PDCU-D 3X96W
A Length	8.66"	11.85"	6.10"	7.93"	8.25"	9.57"
B Width	3.73"	4.32"	3.35"	3.35"	4.10"	5.94"
Depth	1.61"	1.81"	1.33"	1.32"	1.56"	1.13"

0-10V Dimming Power Supplies

MODEL	POWER	OUTPUT	DIMMING
PS010V	96	24	LIN
PS010V - 0-10V Power Supply dims down to 0%	96 - 96 Watt 3X96 - 3 X 96 Watt	24 - 24 VDC	LIN - Linear LOG - Logarithmic

MODELS	96W	3X96
A Length	14.40"	15.75"
B Width	5.20"	6.62"
Depth	2.60"	4.95"



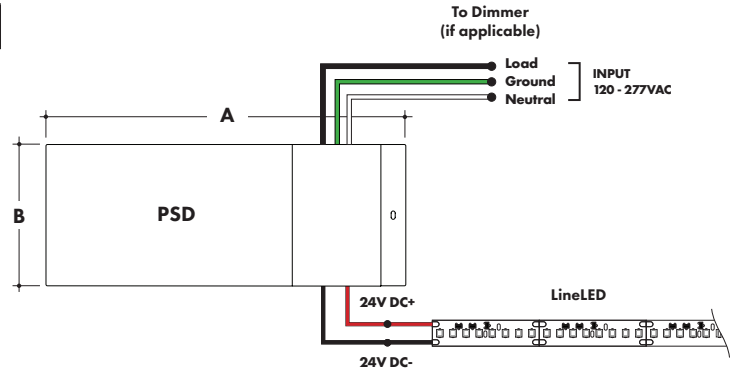
Power Supply

See fixture and power supply instructions & spec sheet for wiring information. Dimming possible in select models - view Luminii website for list of compatible dimmers.

Magnetic Low Voltage Dimming Power Supplies

MODEL	POWER	OUTPUT	INPUT
PSD	48	24	
PSD - PSD Series dims down to 0%	48 - 48 Watt 96 - 96 Watt 288 - 288 Watt (3 x 96Watt)	24 - 24 VDC	Blank - 120 V 240 - 240 V 277 - 277 V

MODELS	48W	96W	288W
A Length	11.25"	11.25"	13.06"
B Width	3.42"	3.42"	8.42"
Depth	3.42"	3.27"	4.47"

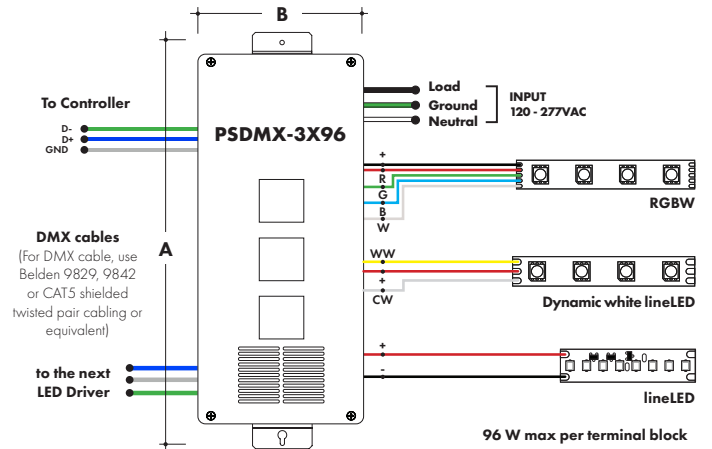
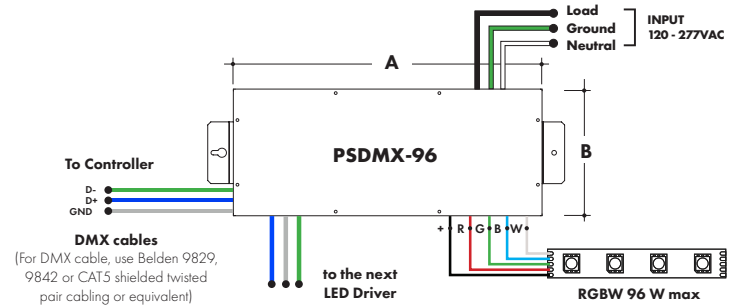


DMX Dimming Power Supplies

MODEL	POWER	OUTPUT
PSDMX	96	24
PSDMX - DMX Power Supply	96 - 96 Watt 3X96 - 3 X 96 Watt	24 - 24 VDC

Features eldoLED's LINEARdrive configurable dimmable drivers

MODELS	96W	3X96
A Length	14.40"	15.75"
B Width	5.20"	6.62"
Depth	2.60"	4.95"



Power Supply

See fixture and power supply instructions & spec sheet for wiring information. Dimming possible in select models - view Luminii website for list of compatible dimmers.

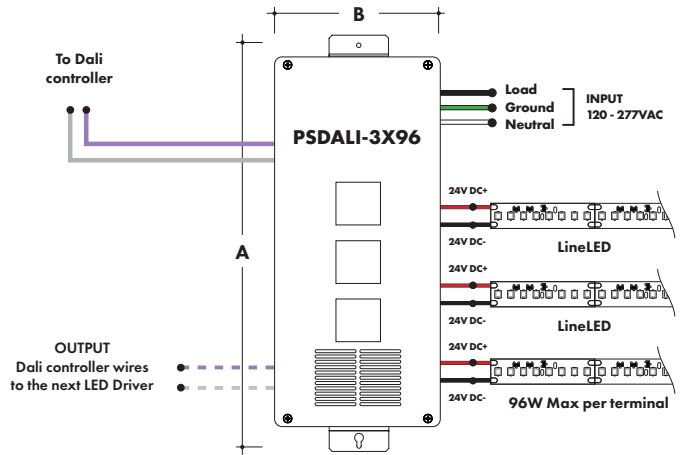
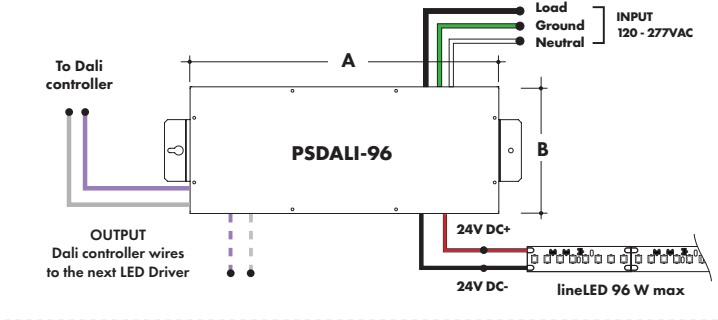
DALI Dimming Power Supplies

MODEL	POWER	OUTPUT
PSDALI	96	24

PSDALI - DALI Power Supply
dims down to 0%
96 - 96 Watt
3X96 - 3 X 96 Watt
24 - 24 VDC

Features eldoLED's LINEARdrive configurable dimmable drivers

MODELS	96W	3X96
A Length	14.40"	15.75"
B Width	5.20"	6.62"
Depth	2.60"	4.95"

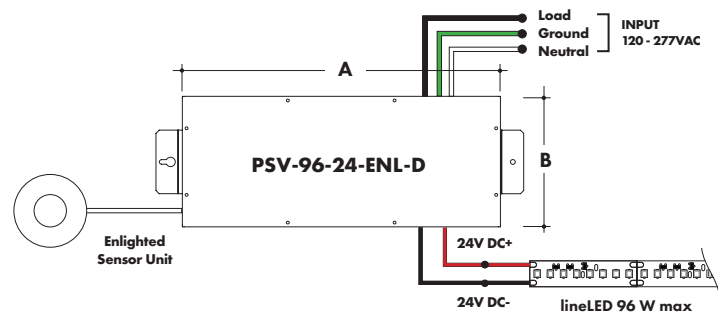


Enlighted Enabled Dimming Power Supplies:

MODEL	POWER	OUTPUT	DIMMING	LOCATION
PSV	96	24	ENL	D

PSV - PSV Series 96 - 96 Watt 24 - 24 VDC ENL - Enlighted Dimming D - Damp

MODELS	96W
A Length	14.40"
B Width	5.20"
Depth	2.60"

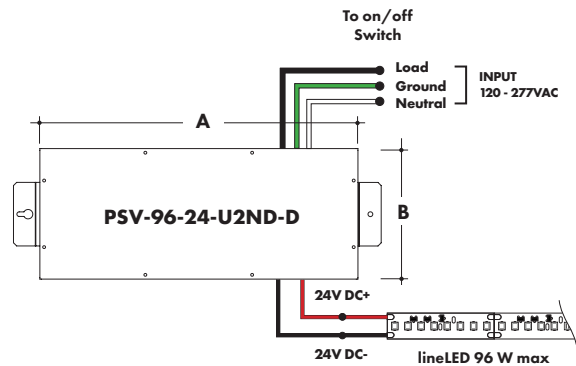


Non-Dimming Power Supply

MODEL	POWER	OUTPUT	DIMMING	LOCATION
PSV	96	24	U2ND	D

PSV - PSV Series 96 - 96 Watt 24 - 24 VDC U2ND - Non Dimming D - Damp

MODELS	96W
A Length	14.40"
B Width	5.20"
Depth	2.60"



Power Supply

See fixture and power supply instructions & spec sheet for wiring information. Dimming possible in select models - view Luminii website for list of compatible dimmers.



Luminii is a Lutron OEM Advantage Partner

MODEL

LTEA4U1UKL-CV240

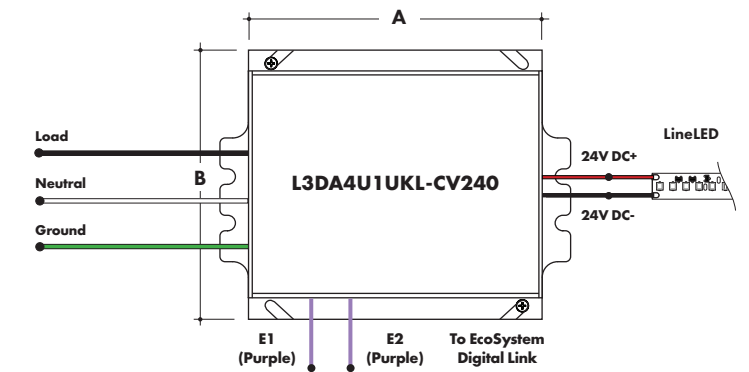
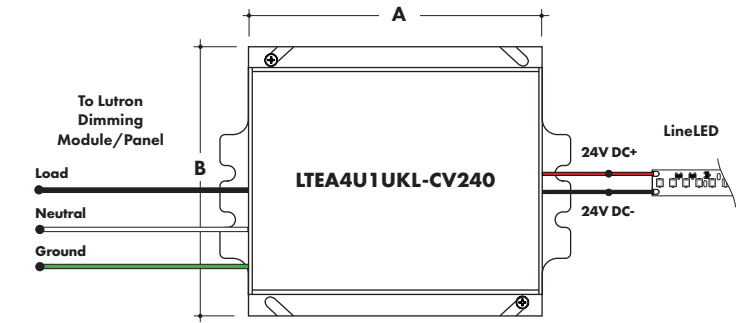
Lutron - HiLume™ 1% 2-wire LED Driver
(120V forward phase only)

MODEL

L3DA4U1UKL-CV240

HiLume™ 1% EcoSystem Voltage LED driver

MODELS	LTEA4U1UKL-CV240	L3DA4U1UKL-CV240
A Length	4.89"	4.98"
B Width	4.00"	4.00"
Depth	2.62"	2.62"



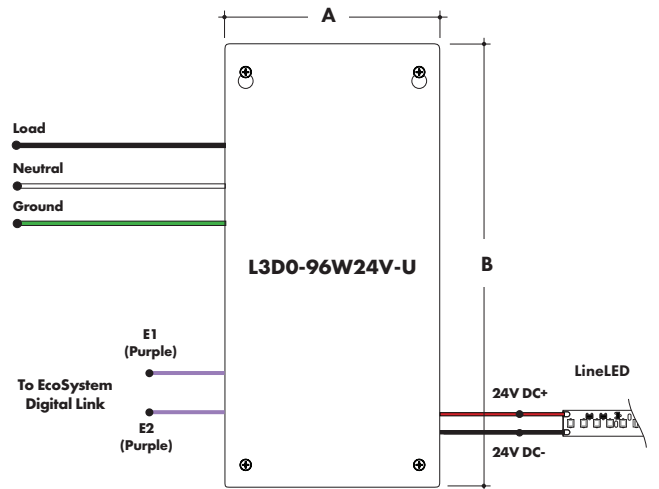
Luminii is a Lutron OEM Advantage Partner

MODEL

L3D0-96W24V-U

HiLume™ 0.1% EcoSystem Voltage LED Driver with Soft-On, Fade-to-Black™

MODELS	L3D0
A Length	10.50"
B Width	5.50"
Depth	2.00"



Power Supply

See fixture and power supply instructions & spec sheet for wiring information. Dimming possible in select models - view Luminii website for list of compatible dimmers.

In ground, Electronic Low Voltage Dimming Power Supplies

MODEL	POWER	OUTPUT	INPUT
IG - CVE	96X2	24	
IG - In ground CVE Series	96X2 - 2 X 96 Watt	24 - 24 VDC	Blank - 120 V 277 - 240/277 V
CVE - ELV Dimming DALI - eldoLED Dali dimming Both dims down to 0.1%			

MODELS	Dual Circuit
A Length	8.40"
B Width	8.30"
Depth	8.10"

