



Features

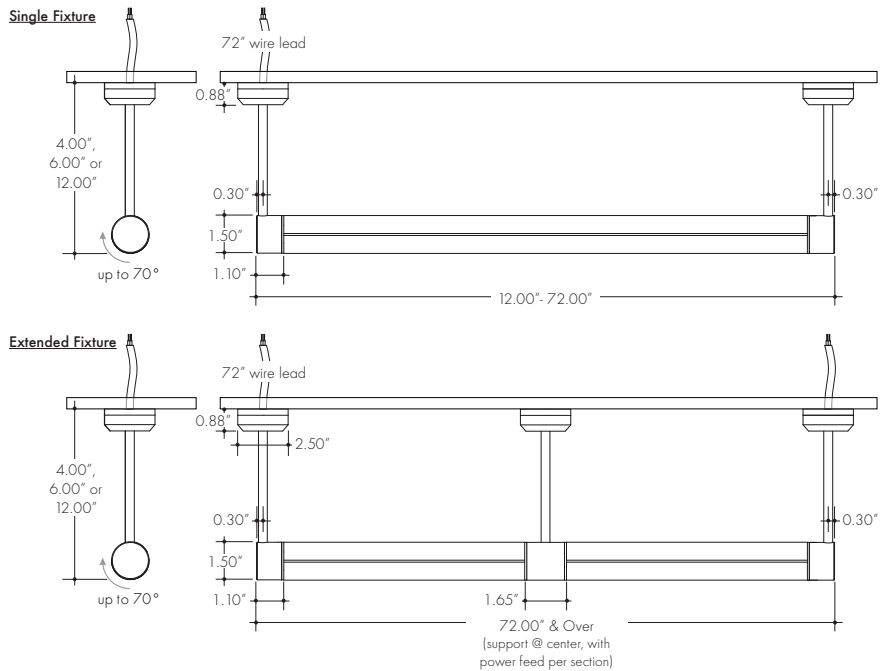
- 24VDC Class 2 fixtures made to order up to 72"
- Comes with 72" plenum wire lead
- Vibrant colors with R9 values up to 98
- Single micro binned LEDs +/- 30 CCT
- Dims with minimal color shift
- Class 2 listed for wet locations
- 3 Year warranty

Finish options



- Silver anodized
- Black powder coated
- Bronze powder coated
- White powder coated

Profile dimensions



Technical information

OUTPUT OPTIONS

Output	Lumens at 3000K (with clear lens)	Average power consumption at 4'	Lumens / Watt (with clear lens)	Maximum system length In series
HO (LL54X2)	410 lm/ft	10.2 W/ft	40 lm/W	10'

CCT INFO/LUMEN MULTIPLIER

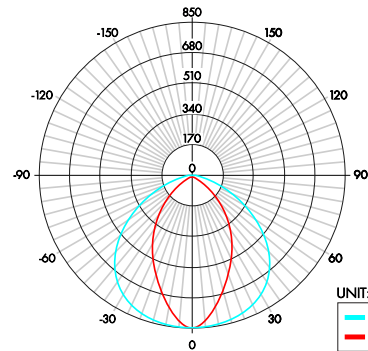
Color temperature	Multiplier (reference - 3000K)	TM-30-15		
		CRI	R _f	R _g
2700K	0.81	97	95	101
3000K	1.00	91	89	98
3500K	1.05	94	90	102
4000K	1.28	94	86	96

Ordering code

MODEL	LENGTH	CCT	OUTPUT	LENS	MOUNTING	FINISH
RUNWW	12	27K	HO	C	4	SA
RUNWW - Runda Wall Wet	12" - 232" 4" increments, over 72" comes with 2 fixture sections. refer to drawing above for details.	27K - 2700 K 30K - 3000 K 35K - 3500 K 41K - 4100 K	HO - High	C - Clear F - Frosted	4 - 4" Arm length 6 - 6" Arm length 12 - 12" Arm length	SA - Silver BK - Black BZ - Bronze WH - White (BK,BZ,WH finishes will have an upcharge and require longer lead times)

Photometry

RUNWW-48-41K-HO-CXX

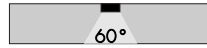


Zonal Lumen Summary 4100K

Zone	Lumen	% Fixture
0-30	582	35%
0-40	892	54%
0-60	1393	85%
0-90	1625	99%
0-180	1641	100%

Total

Beam Angle



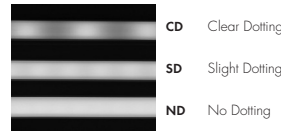
UNIT: CD

- C0/180
- C90/270

LED Dotting per extrusion

LED Dotting per output/lens

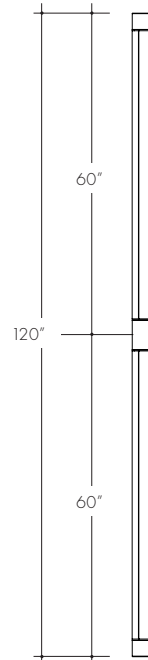
Output Type	Lens Type	
	Clear	Frosted
HO (LL54X2)	CD	ND



Power consumption per fixture length

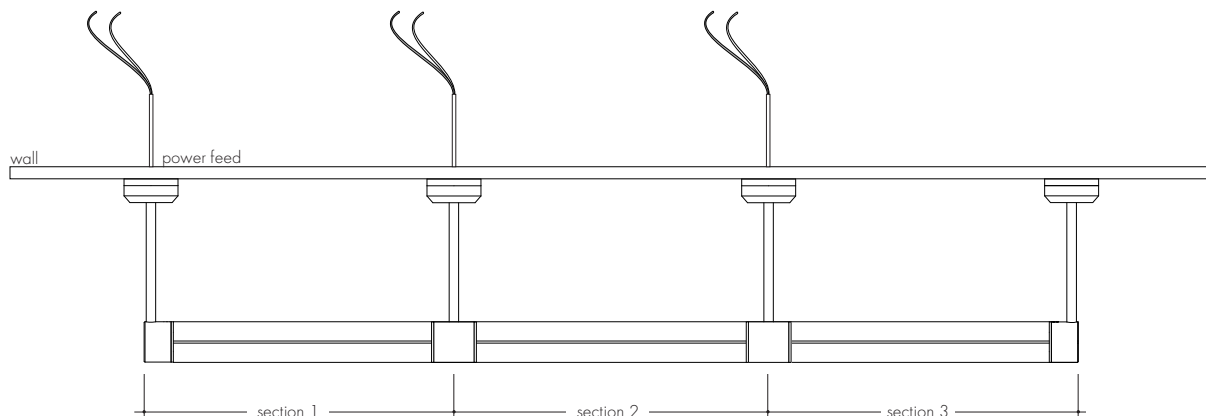
Based on operation with PSD series of power supplies.

Nominal Length	HO		
	Actual Length per section	W/ft	Total wattage
12"	14-12/16"	10.80	10.80
16"	18-11/16"	10.73	13.80
20"	22-11/16"	10.67	16.80
24"	26-10/16"	10.60	19.80
28"	30-8/16"	10.57	23.50
32"	34-8/16"	10.53	27.20
36"	38-7/16"	10.50	30.90
40"	42-6/16"	10.47	34.30
44"	46-5/16"	10.43	37.70
48"	50-4/16"	10.40	41.10
52"	55-8/16"	10.37	44.60
56"	59-7/16"	10.33	48.10
60"	63-6/16"	10.30	51.60
64"	67-5/16"	10.27	55.50
68"	71-4/16"	10.23	59.00
72"	76-14/16"	10.20	63.20



EXAMPLE if over 72": you would receive 2 Runda fixtures, each section requiring its own power supply

Sample System Layout



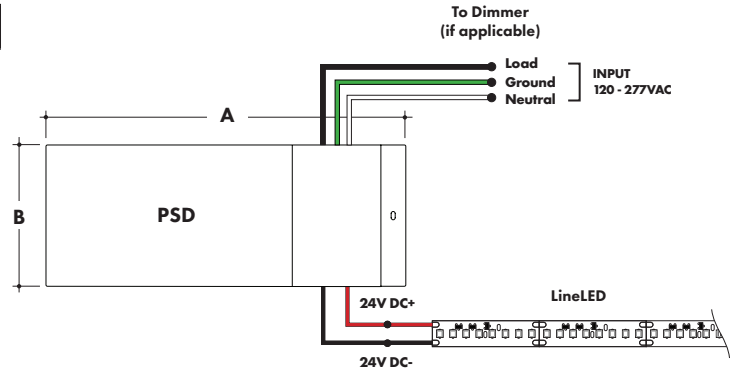
Power Supply

See fixture and power supply instructions & spec sheet for wiring information. Dimming possible in select models - view Luminii website for list of compatible dimmers.

Magnetic Low Voltage Dimming Power Supplies

MODEL	POWER	OUTPUT	INPUT
PSD	48	24	
PSD - PSD Series dims down to 0%	48 - 48 Watt 96 - 96 Watt 288 - 288 Watt (3 x 96Watt)	24 - 24 VDC	Blank - 120 V 240 - 240 V 277 - 277 V

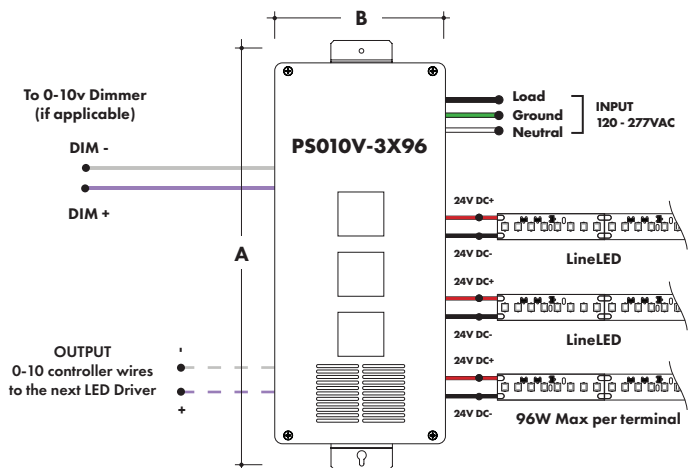
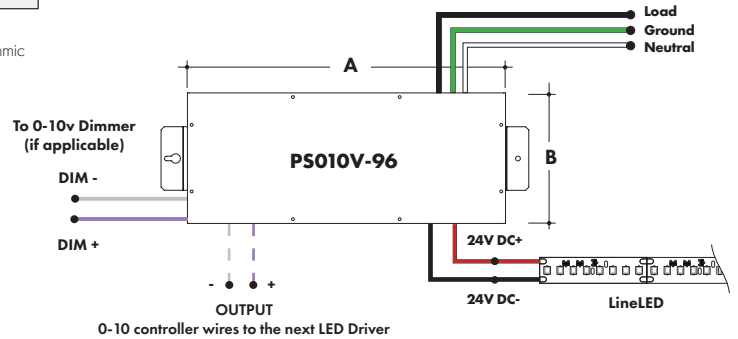
MODELS	PSD 48	PSD 96	PSD 288
A Length	11.25"	11.25"	13.06"
B Width	3.42"	3.42"	8.42"
Depth	3.42"	3.27"	4.47"



0-10V Dimming Power Supplies

MODEL	POWER	OUTPUT	DIMMING
PS010V	96	24	LIN
PS010V - 0-10V Power Supply dims down to 0%	96 - 96 Watt 3X96 - 3 X 96 Watt	24 - 24 VDC	LIN - Linear LOG - Logarithmic

MODELS	96W	3X96
A Length	14.40"	15.75"
B Width	5.20"	6.62"
Depth	2.60"	4.95"



Power Supply

See fixture and power supply instructions & spec sheet for wiring information. Dimming possible in select models - view Luminii website for list of compatible dimmers.

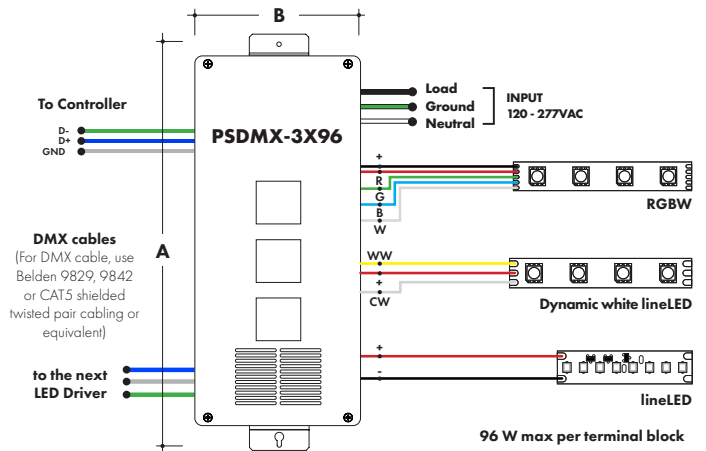
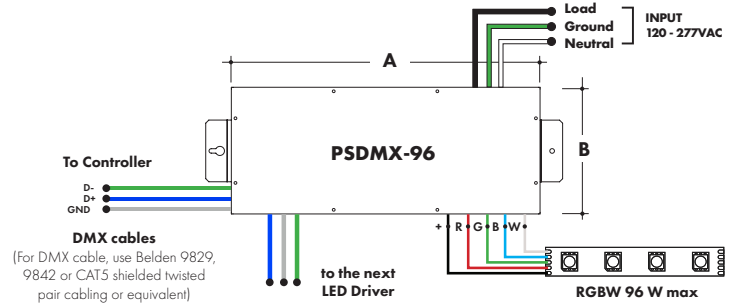
DMX Dimming Power Supplies

MODEL	POWER	OUTPUT
PSDMX	96	24

PSDMX - DMX Power Supply 96 - 96 Watt 24 - 24 VDC
 3X96 - 3 X 96 Watt

Features eldoLED's LINEARdrive configurable dimmable drivers

MODELS	96W	3X96
A Length	14.40"	15.75"
B Width	5.20"	6.62"
Depth	2.60"	4.95"



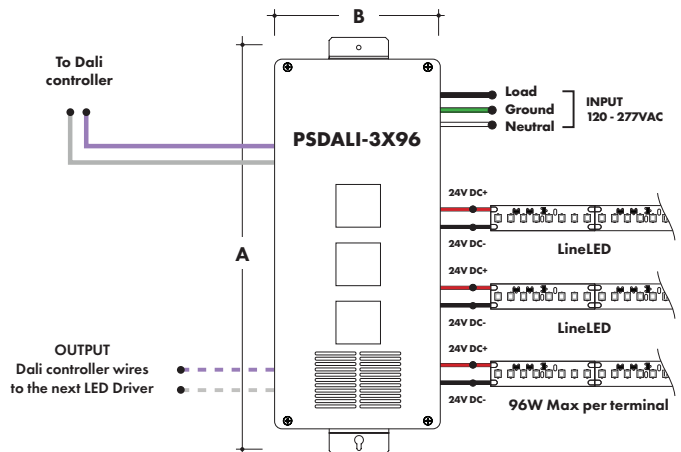
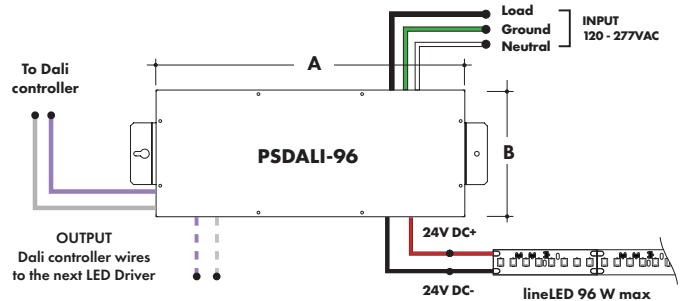
DALI Dimming Power Supplies

MODEL	POWER	OUTPUT
PSDALI	96	24

PSDALI - DALI Power Supply 96 - 96 Watt 24 - 24 VDC
 dims down to 0% 3X96 - 3 X 96 Watt

Features eldoLED's LINEARdrive configurable dimmable drivers

MODELS	96W	3X96
A Length	14.40"	15.75"
B Width	5.20"	6.62"
Depth	2.60"	4.95"



Power Supply

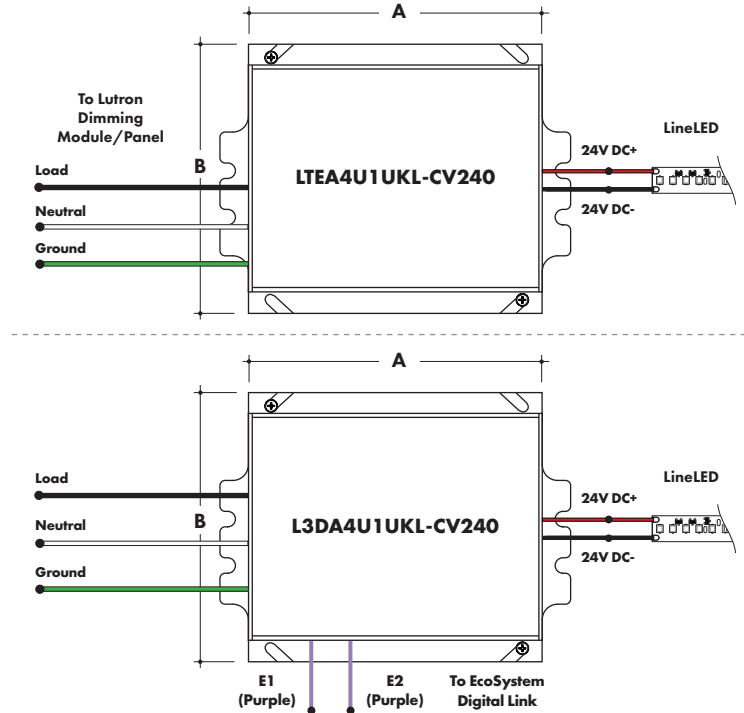
See fixture and power supply instructions & spec sheet for wiring information. Dimming possible in select models - view Luminii website for list of compatible dimmers.



Luminii is a Lutron OEM Advantage Partner

MODEL	MODEL
LTEA4U1UKL-CV240	L3DA4U1UKL-CV240
Lutron - HiLume™ 1% 2-wire LED Driver (120V forward phase only)	HiLume™ 1% EcoSystem Voltage LED driver

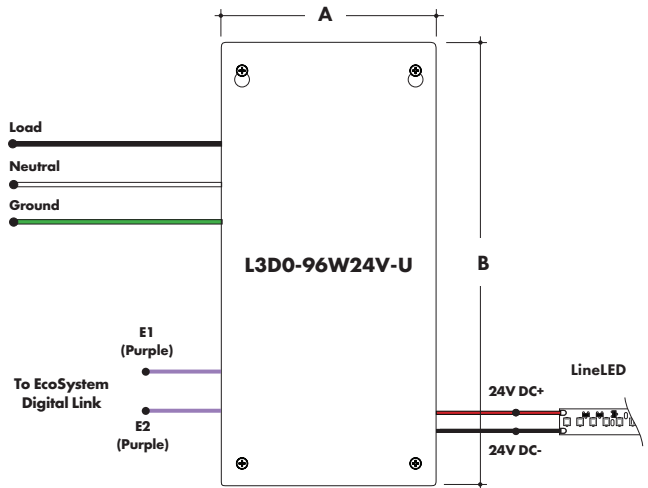
MODELS	LTEA41UKL-CV240	L3DA4U1UKL-CV240
A Length	4.89"	4.98"
B Width	4.00"	4.00"
Depth	2.62"	2.62"



Luminii is a Lutron OEM Advantage Partner

MODEL
L3D0-96W24V-U
HiLume™ 0.1% EcoSystem Voltage LED Driver with Soft-On, Fade-to-Black™

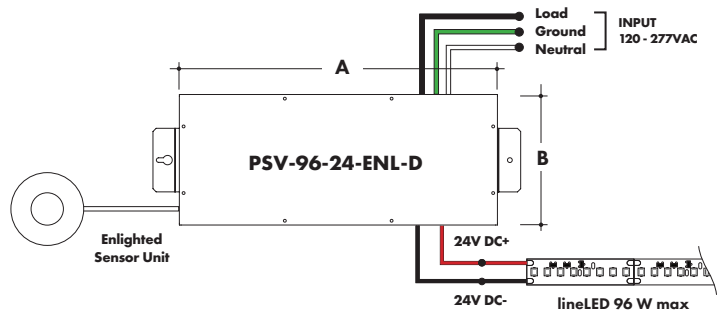
MODELS	L3D0
A Length	10.50"
B Width	5.50"
Depth	2.00"



Enlighted Enabled Dimming Power Supplies:

MODEL	POWER	OUTPUT	DIMMING	LOCATION
PSV	96	24	ENL	D
PSV - PSV Series	96 - 96 Watt	24 - 24 VDC	ENL - Enlighted Dimming	D - Damp

MODELS	96 W
A Length	14.40"
B Width	5.20"
Depth	2.60"



Power Supply

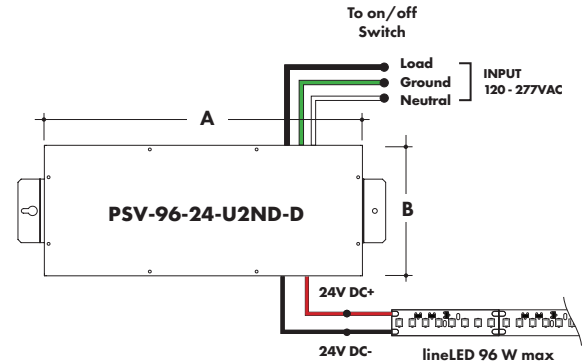
See fixture and power supply instructions & spec sheet for wiring information. Dimming possible in select models - view Luminii website for list of compatible dimmers.

Non-Dimming Power Supply

MODEL	POWER	OUTPUT	DIMMING	LOCATION
PSV	96	24	U2ND	D

PSV - PSV Series 96 - 96 Watt 24 - 24 VDC U2ND - Non Dimming D - Damp

MODELS	96W
A Length	14.40"
B Width	5.20"
Depth	2.60"

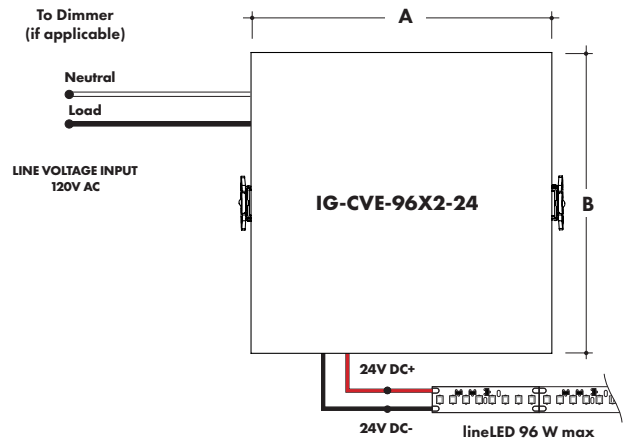


In ground, Electronic Low Voltage Dimming Power Supplies

MODEL	POWER	OUTPUT	INPUT
IG	CVE	96X2	24

IG - In ground CVE Series CVE - ELV Dimming DALI - eidoLED Dali dimming
Both dims down to 0.1%
96X2 - 2 X 96 Watt 24 - 24 VDC Blank - 120 V 277 - 240/277 V

MODELS	Dual Circuit
A Length	8.40"
B Width	8.30"
Depth	8.10"

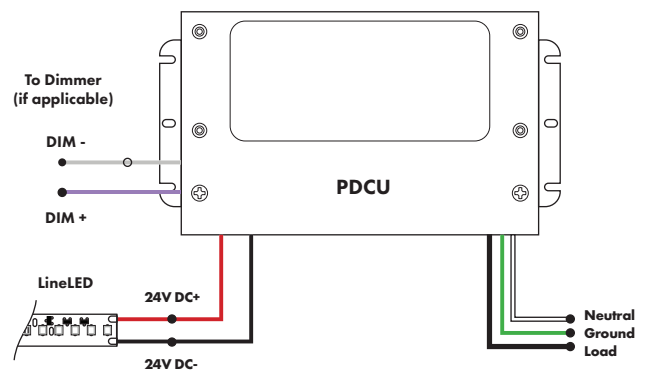


Universal Power Supply

MODEL	POWER	OUTPUT
PDCU	30	24

PDCU - PDCU Series 30 - 30 Watt 24 - 24 VDC
PDCUe - PDCUe Series 60 - 60 Watt
96 - 96 Watt
3X96 - 3x96 Watt

- 0-10V - 1% dimming
- MLV/ELV/TRIAC - 1% dimming



MODELS	PDCU 30W	PDCUe 30W	PDCU 60W	PDCUe 60W	PDCU 96W	PDCUe 96W	PDCU 3X96W	PDCUe 3X96W
A Length	6.50"	6.10"	7.40"	7.93"	8.66"	8.25"	11.85"	9.57"
B Width	3.73"	3.35"	3.73"	3.35"	3.73"	4.10"	4.32"	5.94"
Depth	1.61"	1.33"	1.61"	1.32"	1.61"	1.56"	1.81"	1.13"