

Runda Closet Rod - Installation Instructions

MODEL RCR

Please read all instructions prior to installation and keep for future reference!

1. PRODUCT TO BE INSTALLED BY A QUALIFIED ELECTRICIAN.
2. MUST BE INSTALLED PER NFPA 70, ARTICLE 410.16
3. ENSURE POWER IS OFF PRIOR TO INSTALLATION TO PREVENT ELECTRICAL SHOCK
4. MORE THAN ONE PERSON IS RECOMMENDED FOR THIS INSTALLATION
5. DAMP LOCATIONS ONLY
6. USE ONLY WITH CLASS 2 POWER UNIT
7. SUITABLE FOR INSTALLATION WITHIN THE CLOSET STORAGE SPACE
8. MAX 50 POUNDS PER 1 FOOT WITH MOUNTING SUPPORTS



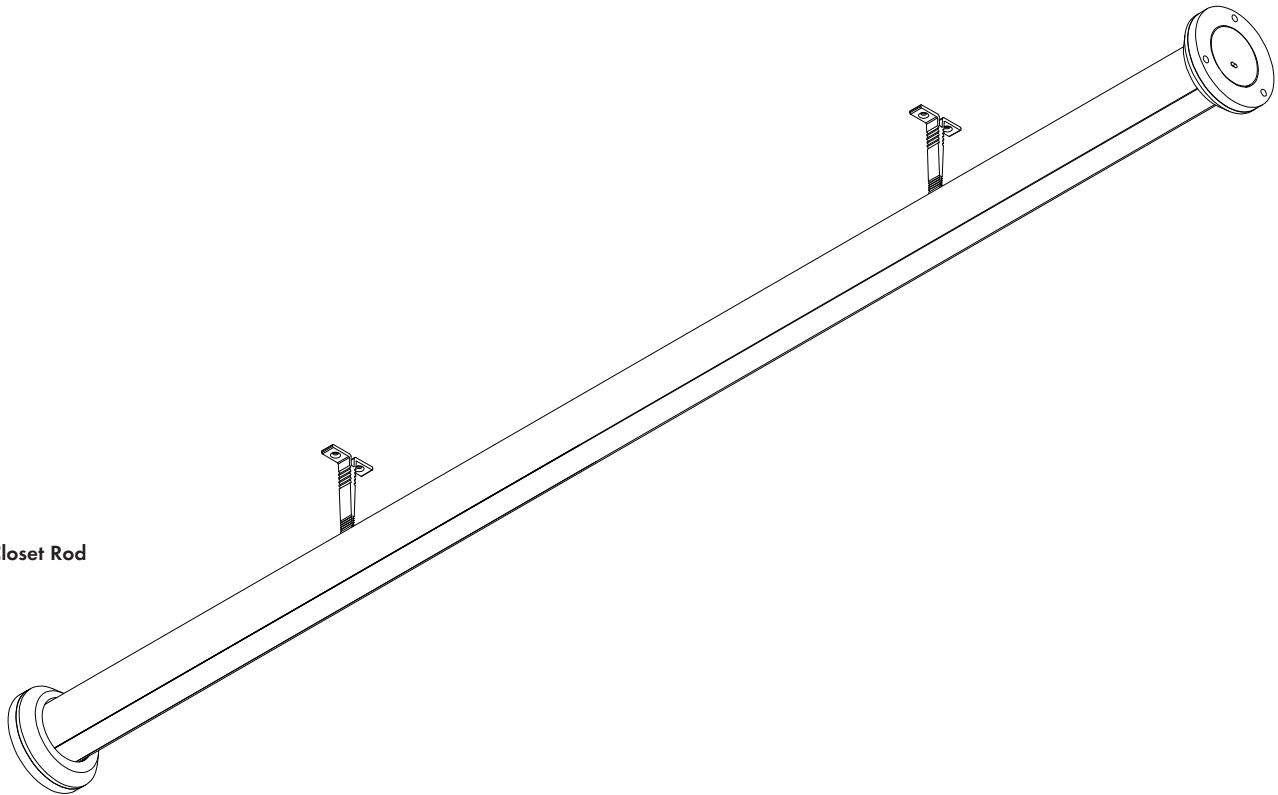
REVO.3
05262022

1 / 3



7777 Merrimac Ave
Niles, IL 60714
T 224.333.6033
F 224.757.7557
info@luminii.com
www.luminii.com

Runda Closet Rod



IMPORTANT SAFETY INSTRUCTIONS!

WHEN INSTALLING OR USING THIS TRACK SYSTEM, BASIC SAFETY PRECAUTIONS SHOULD ALWAYS BE FOLLOWED, INCLUDING:

- A. READ ALL INSTRUCTIONS
- B. DO NOT INSTALL ANY PART OF THE TRACK SYSTEM LESS THAN 5 FEET ABOVE THE FLOOR
- C. DO NOT INSTAL ANY LUMINAIRE ASSEMBLY CLOSER THAN 6 INCHES FROM ANY CURTAIN OR SIMILAR COMBUSTIBLE MATERIAL
- D. DISCONNECT ELECTRICAL POWER BEFORE ADDING TO OR CHANGING THE CONFIGURATION OF THE TRACK
- E. DO NOT ATTEMPT TO ENERGIZE ANYTHING OTHER THAN LIGHTING TRACK LUMINAIRES ON THE TRACK. TO REDUCE THE RISL OF FIRE AND ELECTRIC SHOCK, DO NOT ATTEMPT TO CONNECT POWER TOOLS, EXTENSION CORDS, APPLIANCE, OR THE LIKE TO THE TRACK.

Runda Closet Rod - Installation Instructions

MODEL RCR



7777 Merrimac Ave
Niles, IL 60714
T 224.333.6033
F 224.757.7557
info@luminii.com
www.luminii.com

REVO.3
05262022

2 / 3

Please read all instructions prior to installation and keep for future reference!

1. PRODUCT TO BE INSTALLED BY A QUALIFIED ELECTRICIAN.
2. MUST BE INSTALLED PER NFPA 70, ARTICLE 410.16
3. ENSURE POWER IS OFF PRIOR TO INSTALLATION TO PREVENT ELECTRICAL SHOCK
4. MORE THAN ONE PERSON IS RECOMMENDED FOR THIS INSTALLATION
5. DAMP LOCATIONS ONLY
6. USE ONLY WITH CLASS 2 POWER UNIT
7. SUITABLE FOR INSTALLATION WITHIN THE CLOSET STORAGE SPACE
8. MAX 50 POUNDS PER 1 FOOT WITH MOUNTING SUPPORTS

1

Mounting endcap, Fixture, Support bracket, Every 48", Extrusion, Support bracket, Extrusion

1.1 Slide the support brackets into the Runda Closet Rod extrusion. Support brackets must be installed every 48" for proper weight support distribution.

1.2 Carefully remove the protective film from the diffuser.

1.3 Push the mounting end cap onto each Runda Closet Rod extrusion end.

2

Lead wires, LED, Mounting end cap, Drywall, Wood block, Support bracket, Screw, Mounting end cap, Screw

2.1 Run the lead wires (or DC quick connect cable) through opening in mounting surface to the remote power supply.

2.2 Mounting surface must be laid flat and structurally sound.

2.3 Remove the covers on each mounting endcap, orientate two of the three mounting holes in the up position. Then, secure each endcap into the surface using the appropriate hardware.

3

Class II power supply, 120 VAC, 24 VDC, power to 24 VDC Runda Closet Rod light fixture

3.1 Ensure power is off to power supply! Proceed to connect Runda Closet Rod LED lead wires to power supply. For wiring instructions, please refer to power supply wiring diagram.

See page 2 - step 3.2 - for quick connect power feeding

Runda Closet Rod - Installation Instructions

MODEL RCR



7777 Merrimac Ave
Niles, IL 60714
T 224.333.6033
F 224.757.7557
info@luminii.com
www.luminii.com

REVO.3
05262022

3 / 3

Please read all instructions prior to installation and keep for future reference!

1. PRODUCT TO BE INSTALLED BY A QUALIFIED ELECTRICIAN.
2. MUST BE INSTALLED PER NFPA 70, ARTICLE 410.16
3. ENSURE POWER IS OFF PRIOR TO INSTALLATION TO PREVENT ELECTRICAL SHOCK
4. MORE THAN ONE PERSON IS RECOMMENDED FOR THIS INSTALLATION
5. DAMP LOCATIONS ONLY
6. USE ONLY WITH CLASS 2 POWER UNIT
7. SUITABLE FOR INSTALLATION WITHIN THE CLOSET STORAGE SPACE
8. MAX 50 POUNDS PER 1 FOOT WITH MOUNTING SUPPORTS

