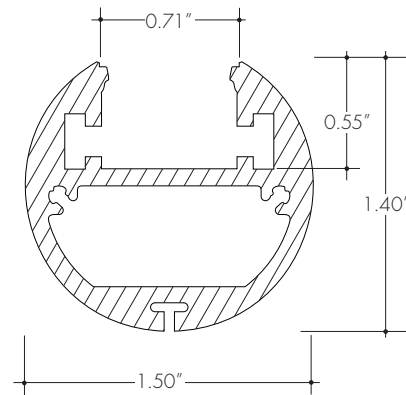
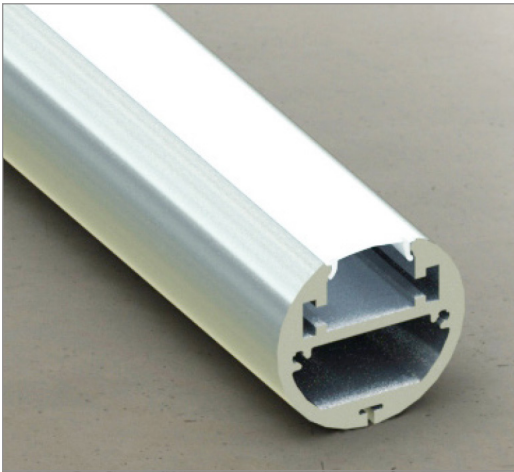


The RO1.5 Channel is a linear aluminum extrusion that has been designed to fit many LED lighting needs. Mounting bracket option allow for great flexibility in any application; from fixed installations like a closet rod light fixture. Substantial aluminum mass in profile provides excellent heat sink for high power LEDs. RO1.5 extrusion comes with two choices of optical lenses. Extrusion and lenses are field cuttable.



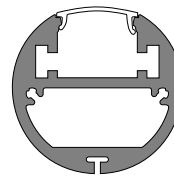
Technical information

Finish: Silver anodized

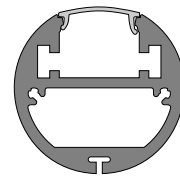
Available length: 118"

Diffuser: polycarbonate, snap-in-place, UV resistant
Choice of clear or frosted lens

Mounting: options of fixed, adjustable, and suspended brackets



RO1.5 with clear lens



RO1.5 with frosted lens

Ordering code

Model	Length	Diffuser	Finish
RO15	118	C	SA
RO15 - RO1.5 aluminum extrusion	118 - 118.19"	C - Clear F - Frosted	SA - Silver anodized

NOTE: For Channels and Lenses over 90", incremental shipping charges will apply

Mounting



End-caps

