

Read and follow these instructions before installing or maintaining this product

- This product is suitable for **WET LOCATIONS**
- Make sure this product is **NOT** on the same circuit as inductive loads, (e.g. fluorescent bulbs, discharge bulbs, ventilation fans, etc...)
- Allow air to flow freely around the fixture
- Do not switch on line voltage until all wiring is complete
- Incorrect wiring will result in irreparable damage to LED and power supply
- This product should only be installed by a licensed electrician

Veillez lire et suivre ces instructions avant l'installation ou l'entretien de ce produit

- *Ce produit convient pour une installation **DANS UN ENDROIT HUMIDE ET MOUILLÉ***
- *Assurer vous que des charges inductives ne se retrouvent pas sur le même circuit que ce produit, (i.e. fluorescent, ampoules à décharge, ventilateurs, etc...)*
- *Permettre à l'air de circuler librement autour du luminaire*
- *Compléter les branchements avant de mettre sous tension*
- *Un branchement incorrect créerait des dommages irréparables à l'alimentation et au DEL*
- *Ce produit devrait être uniquement installé par un électricien qualifié*



Warranty

- This product must be installed in accordance with all applicable installation codes and ordinance
- Limited five (5) years warranty
- Warranty is void in the eventuality of unauthorized modifications and/or improper use

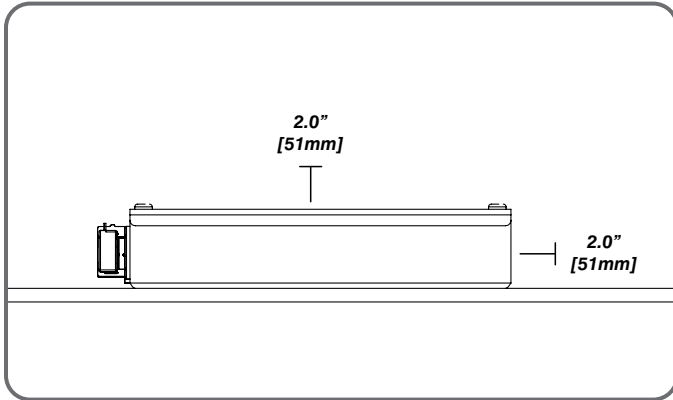
Garantie

- *Ce produit doit être installé conformément au code d'installation et autres normes applicables*
- *Garantie limitée de cinq (5) ans*
- *La garantie est non valide advenant une modification non autorisée ou un usage non approprié*

Drivers and Wiring



On-site installer to provide wire for connection between driver and fixture.



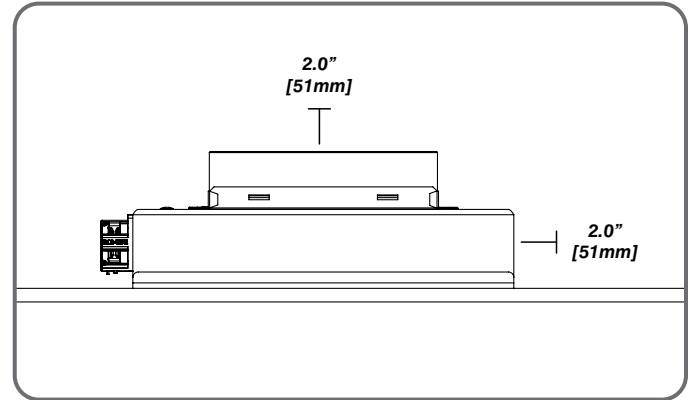
Non-Dimming Driver: 902-35010 (10W)

Constant Current

1-7 Fixtures per driver wired in series.

Remote Driver can be mounted Horizontally or Vertically.

Minimum clearance of **2" (51mm)** around the driver is required for proper air circulation.



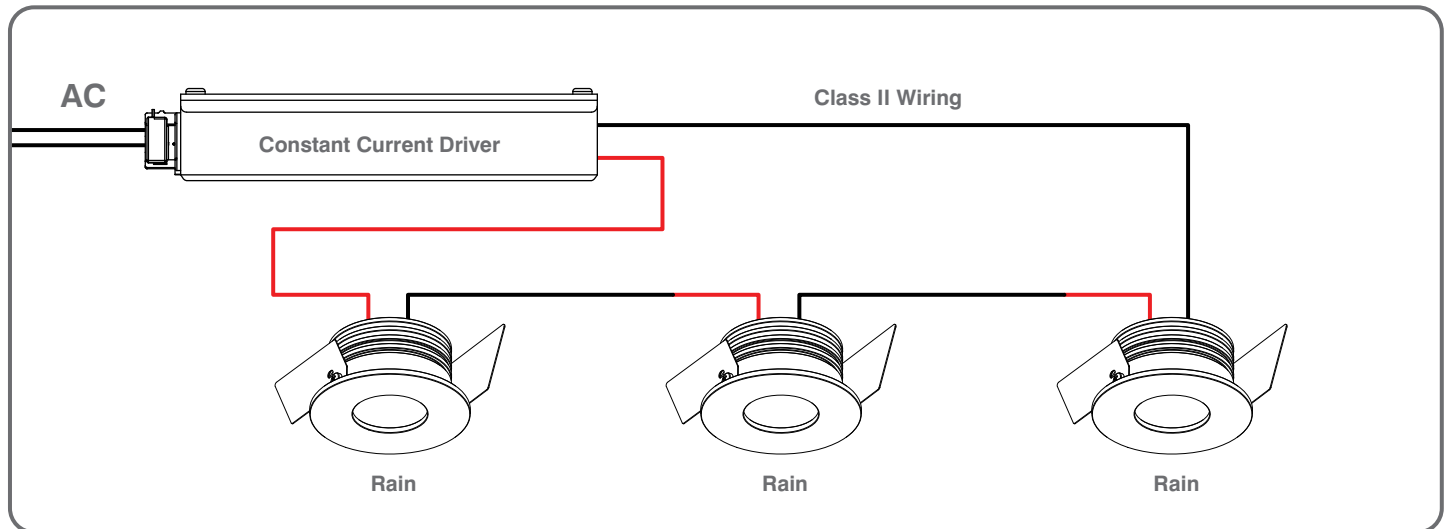
Dimming Driver: 902-35025 (25W)

Constant Current

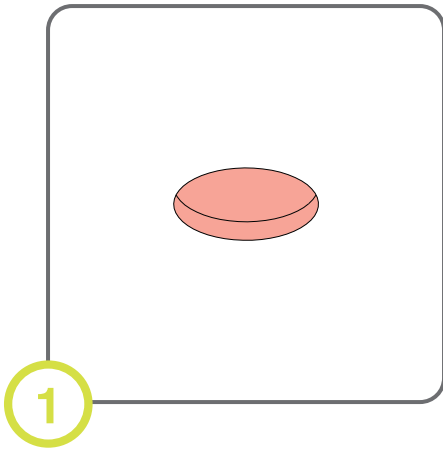
3-17 Fixtures per driver wired in series.

Remote Driver can be mounted Horizontally or Vertically.

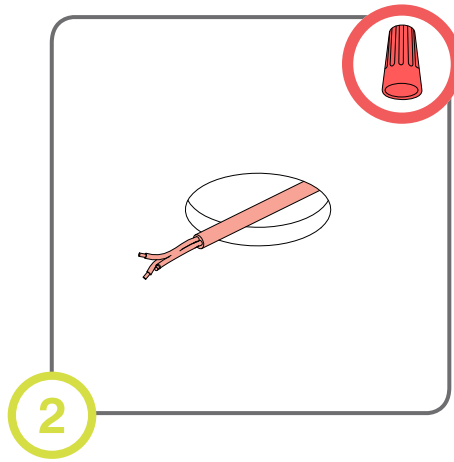
Minimum clearance of **2" (51mm)** around the driver is required for proper air circulation.



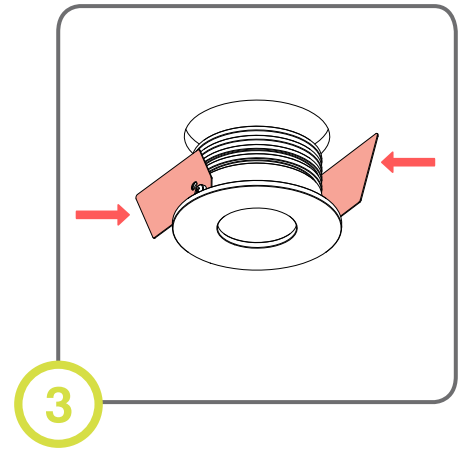
RAIN



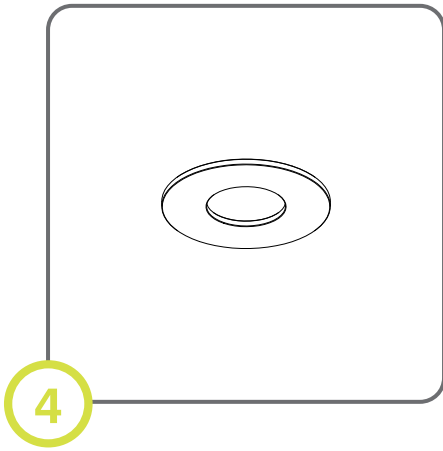
Cut hole to correct size and in all desired locations.



Finish surface and ensure wiring reaches all locations. Pull wire through hole and make electrical connections.



Compress the 2 spring towards to fixture until it clears the hole. Push fixture into ceiling until.





Do not scale this when printing this template.
Ne l'augmentez pas lorsque vous imprimez ce modèle.

