

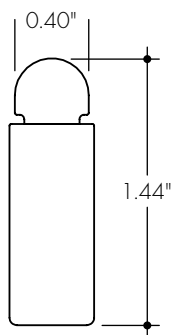
### Features



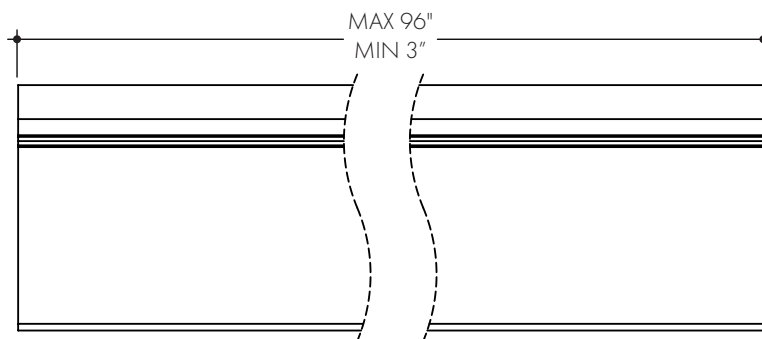
- For use as exterior or interior accent lighting, direct or indirect view applications, coves & more
- Creative freedom to make stunning designs - any factory formed, curved or straight, rigid shape imaginable
- Incredibly durable, featuring IP68, IK10, & 3G ratings
- 2800K, 3500K, 4500K, 6500K
- Amber color diffuser when not illuminated
- Stable and consistent color temperature
- Inside, Outside corners with field cuttable sections available
- Factory bends down to 3/16" radius
- Field bends up to a 72" radius on non-channel
- Surface, Recessed and Suspended mounting options
- Low voltage 24VDC, Class 2
- Energy efficient
- Long lifetime
- Easy to install
- **Warranty:** 5 years indoors  
3 years outdoors

### Profile Dimensions

Fixture Profile



Fixture Side



### Technical information

1X/2X CCT	1X 2800K	1X 3500K	1X 4500K	1X 6500K	2X 2800K	2X 3500K	2X 4500K	2X 6500K
Lumen/ft	64 lum/ft	52 lum/ft	59 lum/ft	51 lum/ft	80 lum/ft	86 lum/ft	86 lum/ft	60 lum/ft
<b>Watts/ft</b>		<b>Max System Length</b>						
1X	1.97 W/ft	32' Max						
2X	2.81 W/ft	20' Max						

#### Operating Temperature

-40°F to 140°F (-40°C to 60°C)

Cool to the touch when at operating temperature

### Ordering code

MODEL	LENGTH	BEND	CCT	OUTPUT	LENS	MOUNTING	FINISH	POWER FEED POSITION/TYPE
<b>PX</b>	<b>96</b>	<b>SR</b>	<b>1X28</b>	<b>SO</b>	<b>F</b>	<b>SM</b>	<b>GG</b>	<b>B</b>
PX - Plexineon	6-96 - 6"-96"	SR - Straight Run B - Bends*	1X28 - 1X 2800K 1X35 - 1X 3500K 1X45 - 1X 4500K 1X65 - 1X 6500K 2X28 - 2X 2800K 2X35 - 2X 3500K 2X45 - 2X 4500K 2X65 - 2X 6500K	SO - Standard	F - Amber Frosted	SM - Surface Mount (Standard) SML - Surface Mount (L-tab) SMS - Surface Mount (S tab) RM - Recessed Mount SD - Suspended	GG - Gloss Grey	B - Back 1x2 - Bare wire on both ends 4 - Opposite Gender Quick Connect at each end 1x4 - Quick connect on one end

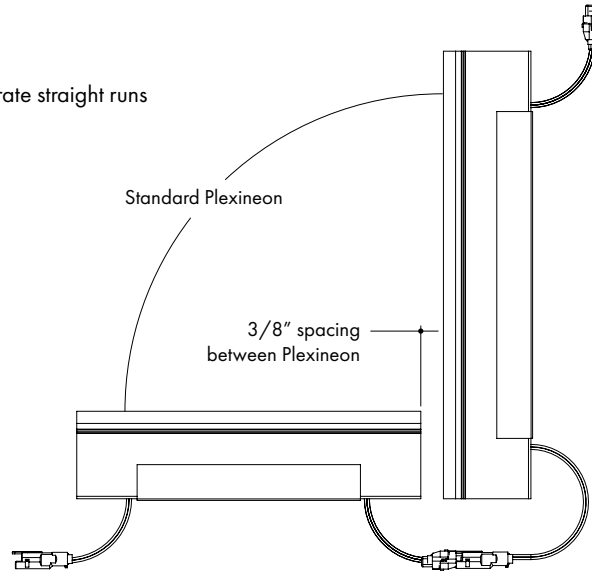
\*Contact Sales for custom factory bend options  
DWG required for bends

## Corners

### Inside Corner

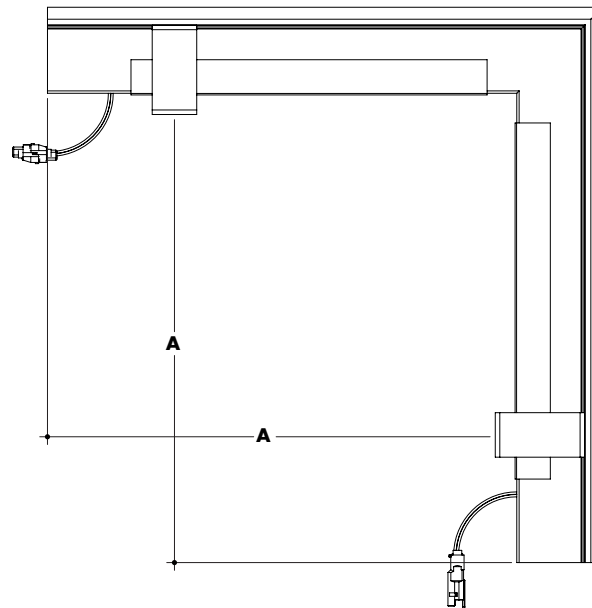
**Note:**

- Inside corners are specified as 2 separate straight runs



### Outside Corner

Dim A	Length (mm)
1X	8.85" (225mm)
2X	9.79" (249mm)

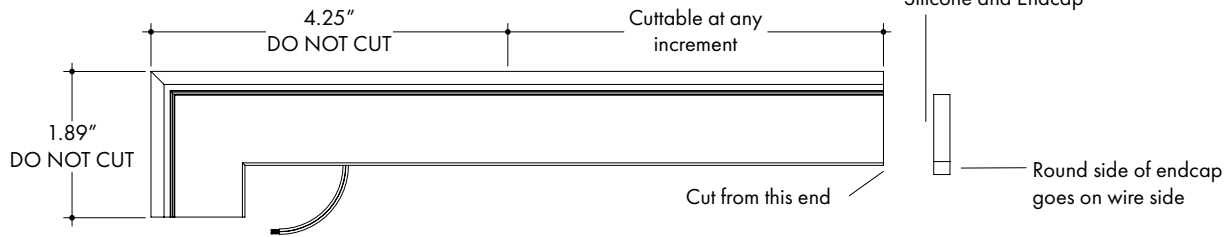


## Ordering code

MODEL	LENGTH	BEND	CCT	OUTPUT	LENS	MOUNTING	FINISH	POWER FEED POSITION/TYPE	
<b>PX</b>	<b>OC</b>	<b>SR</b>	<b>1X28</b>	<b>SO</b>	<b>F</b>	<b>SM</b>	<b>GG</b>	<b>B</b>	<b>1X2</b>
PX - Plexineon	OC - Outside Corner	SR - Straight Run	1X28 - 1X 2800K 1X35 - 1X 3500K 1X45 - 1X 4500K 1X65 - 1X 6500K 2X28 - 2X 2800K 2X35 - 2X 3500K 2X45 - 2X 4500K 2X65 - 2X 6500K	SO - Standard	F - Frosted	SM - Surface Mount (Standard) SML - Surface Mount (L-tab) SMS - Surface Mount (S tab)	GG - Gloss Grey	B - Back	1x2 - Bare wire on both ends 4 - Opposite Gender Quick Connect at each end 1x4 - Quick connect on one end

### Cuttables

#### Corner Cuttable



### Ordering code

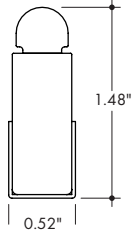
MODEL	LENGTH	BEND	CCT	OUTPUT	LENS	MOUNTING	FINISH	POWER FEED POSITION/TYPE	
<b>PX</b>	<b>CC</b>	<b>B</b>	<b>1X28</b>	<b>SO</b>	<b>F</b>	<b>SM</b>	<b>GG</b>	<b>B</b>	<b>1</b>
PX - Plexineon	C - Cuttable CC - Corner Cuttable	B - Bends	1X28 - 1X 2800K 1X35 - 1X 3500K 1X45 - 1X 4500K 1X65 - 1X 6500K 2X28 - 2X 2800K 2X35 - 2X 3500K 2X45 - 2X 4500K 2X65 - 2X 6500K	SO - Standard	F - Frosted	SM - Surface Mount (Standard) SML - Surface Mount (L-tab) SMS - Surface Mount (S tab)	GG - Glass Grey	B - Back	1 - Bare wire on one end

\*Contact Sales for custom factory bend options  
DWG required for bends

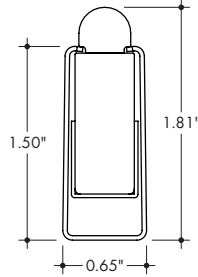
## Installation Options

### C Channel Cross Section

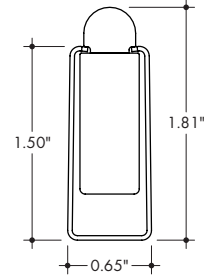
With C-Channel



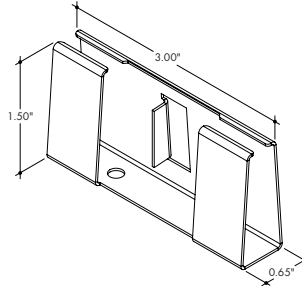
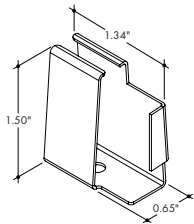
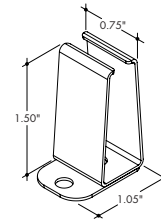
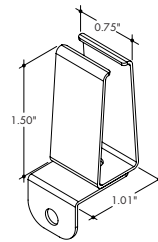
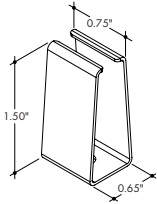
In Clip with C-Channel



In Clip without C-Channel



### Standard Mounting Clips

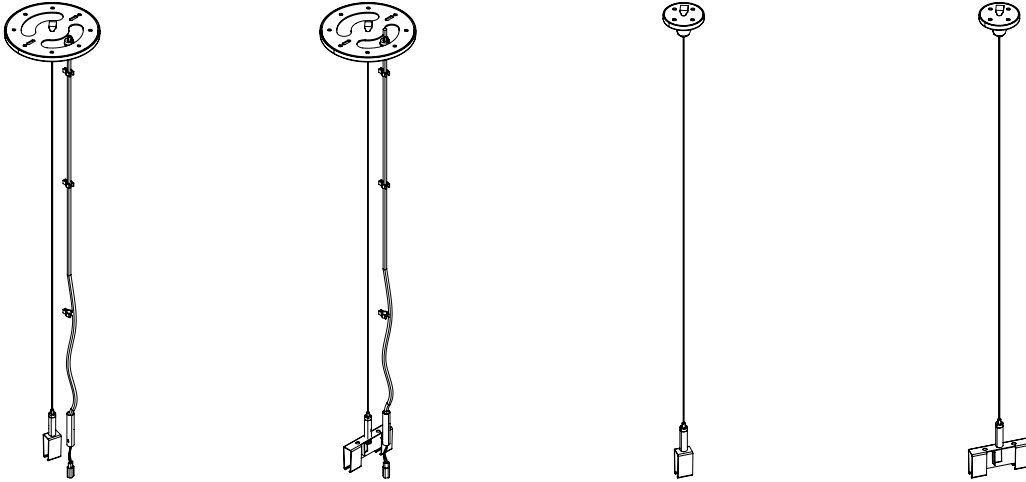


\* Mounting hole 3/16"  
1 - used for both horizontal & vertical applications

## Installation Options

### Aircraft Cable Suspension

Aircraft Cable w/ Multiple Canopies

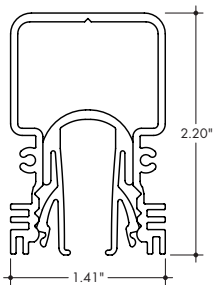


**Note:**

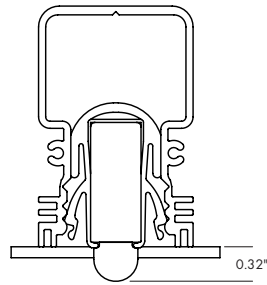
- The number of canopies/suspension points will be determined by the overall length and layout of your Plexineon. Contact Luminii for more information

### Recessed Mounting

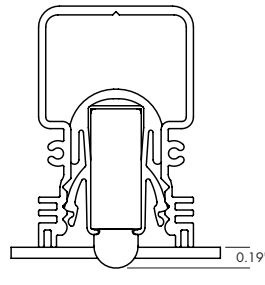
Housing Dimensions



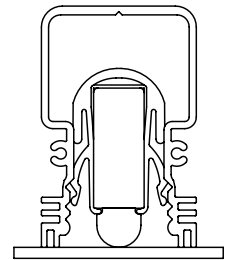
Housing w/ Exposed Plexineon



Housing w/ Semi-Recessed Plexineon



Housing w/ Fully Recessed Plexineon



## Plexineon Bends

### Factory Bends

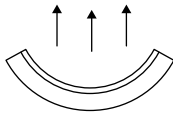
For designs that require smaller radius bends, Plexineon can be bent in our factory.

- iLight can factory bend convex and concave curves to a 5 inch minimum radius
- iLight can also form to 3/16" radius for letters or tighter curves in the "easy bend" direction

### Hard Bends

#### Concave Bend

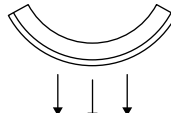
R Min = R5.00" [R127mm]



LIGHTING  
DIRECTION  
**INSIDE**

#### Convex Bend

R Min = R5.00" [R127mm]

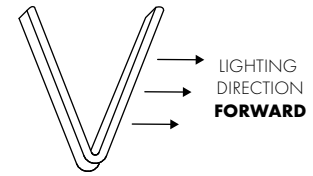


LIGHTING  
DIRECTION  
**OUTSIDE**

### Easy Bends



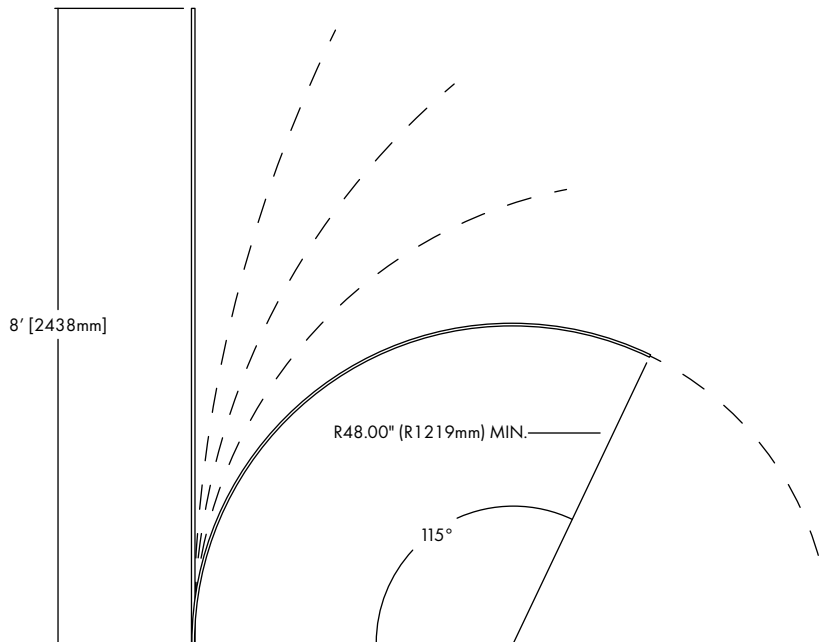
R Min = R0.19" [R5mm]



LIGHTING  
DIRECTION  
**FORWARD**

### Field Bends

For designs with large radii or gentle curves, Plexineon can be gently bent in the field in the "easy" direction to allow for field bending, Plexineon must be ordered without C-channel.



Angle	Fixture Length (mm)	Radius (in)
115°	8' (2438mm)	48" (1219mm)
86°	6' (1829mm)	48" (1219mm)
57°	4' (1219mm)	48" (1219mm)

#### Note:

- Field bending shown in easy direction. cannot field bend into convex or concave bends.
- Easy direction refers to bend axis parallel to light direction
- Field bending only allowed on fixtures without C-Channel

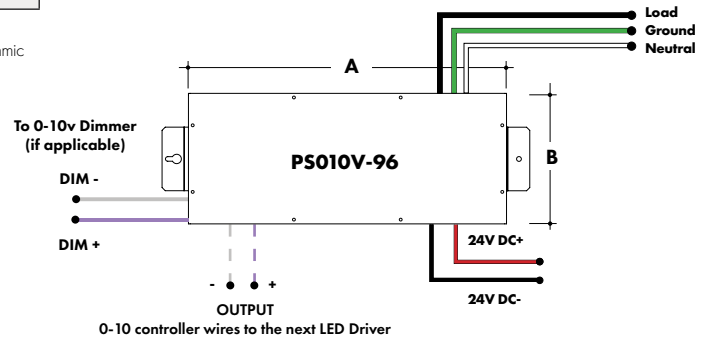
## Power Supplies

See fixture and power supply instructions & spec sheet for wiring information. Dimming possible in select models - view Luminii website for list of compatible dimmers.

### 0-10V Dimming Power Supplies

MODEL	POWER	OUTPUT	DIMMING
<b>PS010V</b>	<b>96</b>	<b>24</b>	<b>LIN</b>
PS010V - 0-10V Power Supply dims down to 0%	96 - 96 Watt	24 - 24 VDC	LIN - Linear LOG - Logarithmic

MODELS	96W
<b>A Length</b>	14.40"
<b>B Width</b>	5.20"
<b>Depth</b>	2.60"

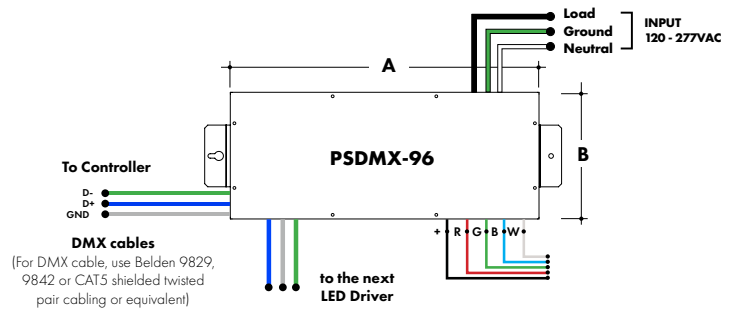


### DMX Dimming Power Supplies

MODEL	POWER	OUTPUT
<b>PSDMX</b>	<b>96</b>	<b>24</b>
PSDMX - DMX Power Supply	96 - 96 Watt	24 - 24 VDC

Features eldoLED's LINEARdrive configurable dimmable drivers

MODELS	96W
<b>A Length</b>	14.40"
<b>B Width</b>	5.20"
<b>Depth</b>	2.60"

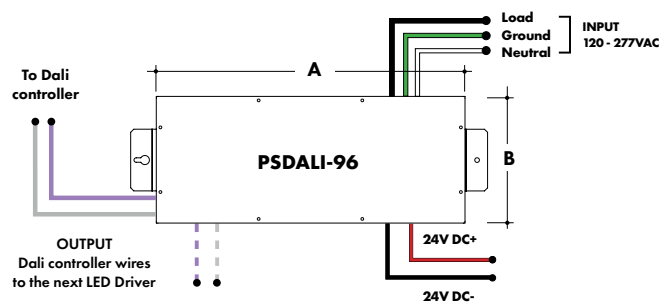


### DALI Dimming Power Supplies

MODEL	POWER	OUTPUT
<b>PSDALI</b>	<b>96</b>	<b>24</b>
PSDALI - DALI Power Supply dims down to 0%	96 - 96 Watt	24 - 24 VDC

Features eldoLED's LINEARdrive configurable dimmable drivers

MODELS	96W
<b>A Length</b>	14.40"
<b>B Width</b>	5.20"
<b>Depth</b>	2.60"



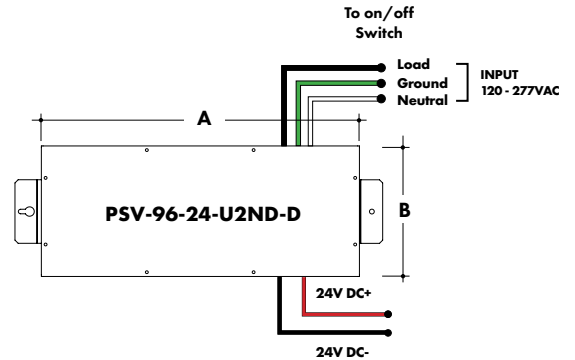
## Power Supplies

See fixture and power supply instructions & spec sheet for wiring information. Dimming possible in select models - view Luminii website for list of compatible dimmers.

### Non-Dimming Power Supply

MODEL	POWER	OUTPUT	DIMMING	LOCATION
<b>PSV</b>	<b>96</b>	<b>24</b>	<b>U2ND</b>	<b>D</b>
PSV - PSV Series	96 - 96 Watt	24 - 24 VDC	U2ND - Non Dimming	D - Damp

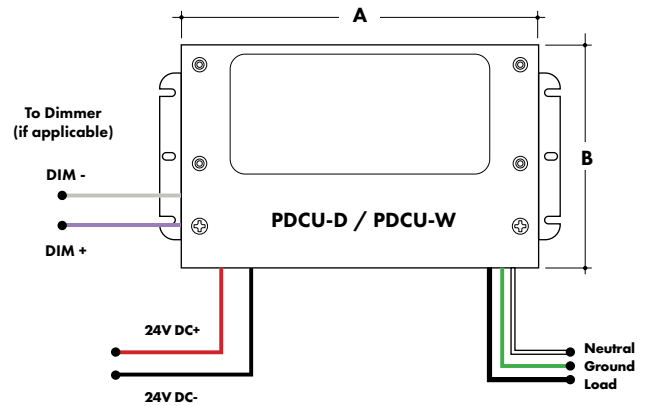
MODELS	96W
<b>A Length</b>	14.40"
<b>B Width</b>	5.20"
<b>Depth</b>	2.60"



### Universal Power Supply

MODEL	POWER	OUTPUT
<b>PDCU-D</b>	<b>30</b>	<b>24</b>
PDCU-W - IP66 Wet Series	96 - 96 Watt 3X96 - 3X96 Watt	24 - 24 VDC
PDCU-D - IP20 Dry Series	30 - 30 Watt 60 - 60 Watt 96 - 96 Watt 3X96 - 3X96 Watt	

- 0-10V - 1% dimming
- MLV/ELV/TRIAC - 1% dimming



MODELS	PDCU-W 96 Watt	PDCU-W 3X96 Watt	PDCU-D 30 Watt	PDCU-D 60 Watt	PDCU-D 96 Watt	PDCU-D 3X96 Watt
<b>A Length</b>	8.66"	11.83"	6.10"	7.93"	8.25"	9.57"
<b>B Width</b>	3.73"	4.32"	3.35"	3.35"	4.10"	5.94"
<b>Depth</b>	1.61"	1.81"	1.33"	1.32"	1.56"	1.13"