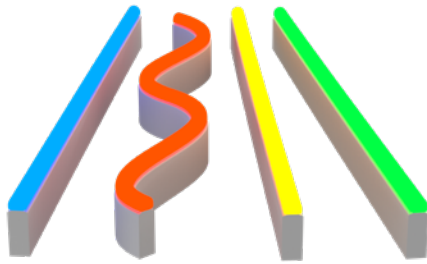


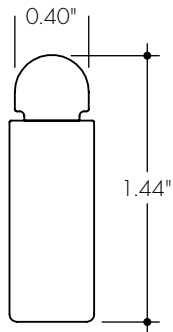
Features



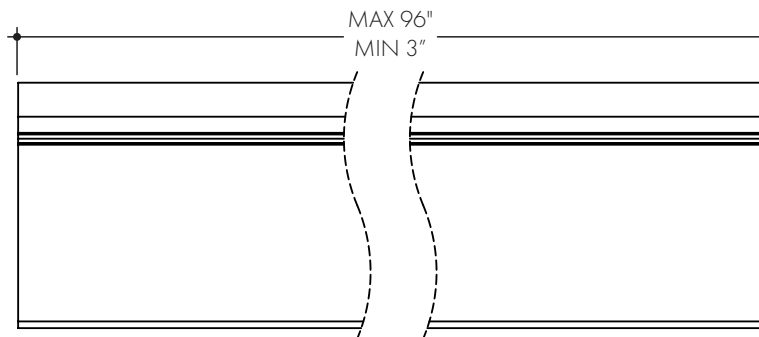
- For use as exterior or interior accent lighting, direct or indirect view applications, coves & more
- Creative freedom to make stunning designs - any factory formed, curved or straight, rigid shape imaginable
- Incredibly durable, featuring IP68, IK10, & 3G ratings
- Blue, Green, Daytime Magenta, Daytime Rose, Teal, Daytime Yellow, Amber, Orange, Red, Daytime Red
- Crisp, vibrant, saturated colors
- Inside, Outside corners with field cuttable sections available
- Factory bends down to 3/16" radius
- Field bends up to a 72" radius on non-channel
- Surface, Recessed and Suspended mounting options
- Low voltage 24VDC, Class 2
- Energy efficient
- Long lifetime
- Easy to install
- **Warranty:** 5 years indoors
3 years outdoors

Profile Dimensions

Fixture Profile



Fixture Side



Technical information

Operating Temperature

-40°F to 140°F (-40°C to 60°C)

Cool to the touch when at operating temperature

Watts/ft

Blue / Green / Magenta / Rose / Teal / Yellow

1.97 W/ft

Amber / Orange / Red / Daytime Red

1.44 W/ft

Ordering code

MODEL	LENGTH	BEND	CCT	OUTPUT	LENS	MOUNTING	FINISH	POWER FEED POSITION/TYPE
PX	96	SR	BLU	SO	F	SM	GG	B - 1X2
PX - Plexineon	6-96 - 6"-96"	SR - Straight Run B - Bends*	BLU - Blue GRN - Green TEA - Teal AMB - Amber ORG - Orange RED - Red	SO - Standard	F - Frosted	SM - Surface Mount (Standard) SML - Surface Mount (L-tab) SMS - Surface Mount (S tab) RM - Recessed Mount SD - Suspended	GG - Gloss Grey BK - Matte Black GY - Matte Grey WH - Matte White	B - Back 1x2 - Bare wire on both ends 4 - Opposite Gender Quick Connect at each end 1x4 - Quick connect on one end
			DMAG - Daytime Magenta DRD - Daytime Red	SO - Standard	RF - Red Frosted	All mounting options available	GG - Gloss Grey	
			DROSE - Daytime Rose	SO - Standard	PF - Pink Frosted	All mounting options available	GG - Gloss Grey	
			DYEL - Daytime Yellow	SO - Standard	YF - Yellow Frosted	All mounting options available	GG - Gloss Grey	

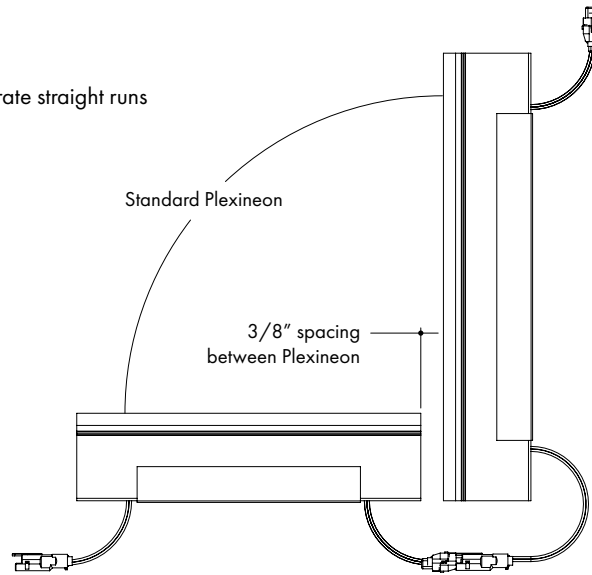
*Contact Sales for custom factory bend options
DWG required for bends

Corners

Inside Corner

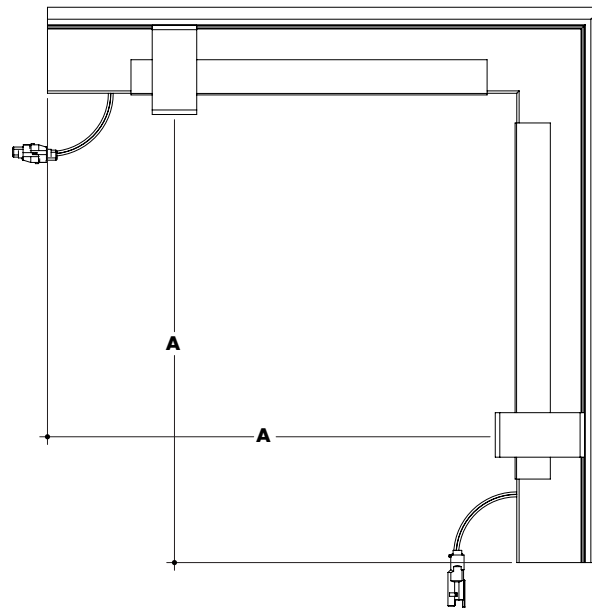
Note:

- Inside corners are specified as 2 separate straight runs



Outside Corner

Dim A	Length (mm)
Colors	8.85" (225mm)

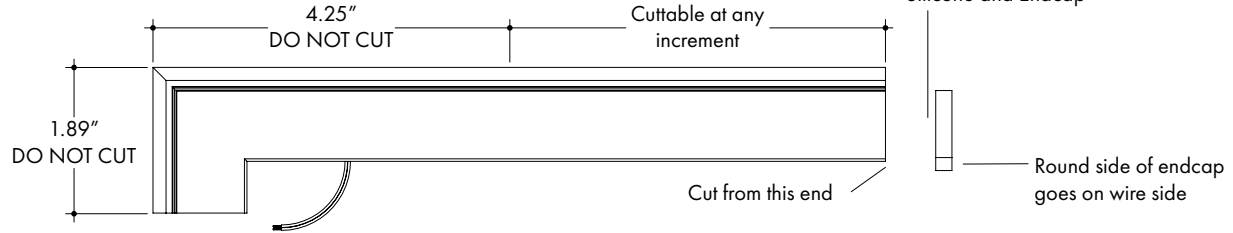


Ordering code

MODEL	LENGTH	BEND	CCT	OUTPUT	LENS	MOUNTING	FINISH	POWER FEED POSITION/TYPE
PX	OC	SR	BLU	SO	F	SM	GG	B - 1X2
PX - Plexineon	OC - Outside Corner	SR - Straight Run	BLU - Blue GRN - Green TEA - Teal AMB - Amber ORG - Orange RED - Red	SO - Standard	F - Frosted	SM - Surface Mount (Standard) SML - Surface Mount (L-tab) SMS - Surface Mount (S tab)	GG - Gloss Grey	B - Back 1x2 - Bare wire on both ends 4 - Opposite Gender Quick Connect at each end 1x4 - Quick connect on one end
			DMAG - Daytime Magenta DRD - Daytime Red	SO - Standard	RF - Red Frosted			
			DROSE - Daytime Rose	SO - Standard	PF - Pink Frosted			
			DYEL - Daytime Yellow	SO - Standard	YF - Yellow Frosted			

Cuttables

Corner Cuttable



Ordering code

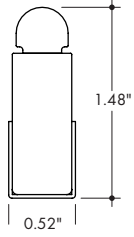
MODEL	LENGTH	BEND	CCT	OUTPUT	LENS	MOUNTING	FINISH	POWER FEED POSITION/TYPE
PX	CC	B	BLU	SO	F	SM	GG	B - 1X2
PX - Plexineon	C - Cuttable CC - Corner Cuttable	B - Bends	BLU - Blue GRN - Green TEA - Teal AMB - Amber ORG - Orange RED - Red	SO - Standard	F - Frosted	SM - Surface Mount (Standard) SML - Surface Mount (L-tab) SMS - Surface Mount (S tab)	GG - Gloss Grey	B - Back 1 - Bare wire on one end
			DMAG - Daytime Magenta DRD - Daytime Red	SO - Standard	RF - Red Frosted			
			DROSE - Daytime Rose DYEL - Daytime Yellow	SO - Standard	PF - Pink Frosted YF - Yellow Frosted			

*Contact Sales for custom factory bend options
DWG required for bends

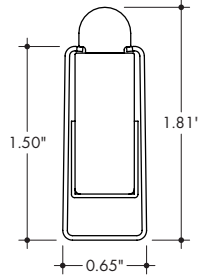
Installation Options

C Channel Cross Section

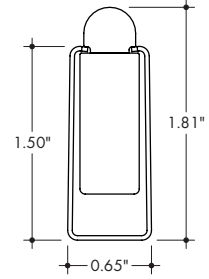
With C-Channel



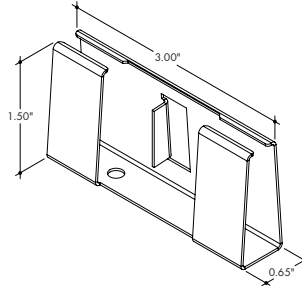
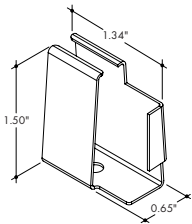
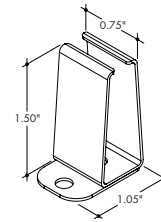
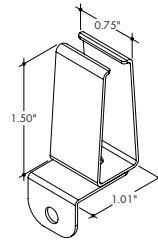
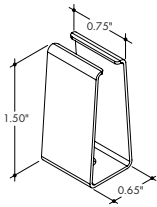
In Clip with C-Channel



In Clip without C-Channel



Standard Mounting Clips

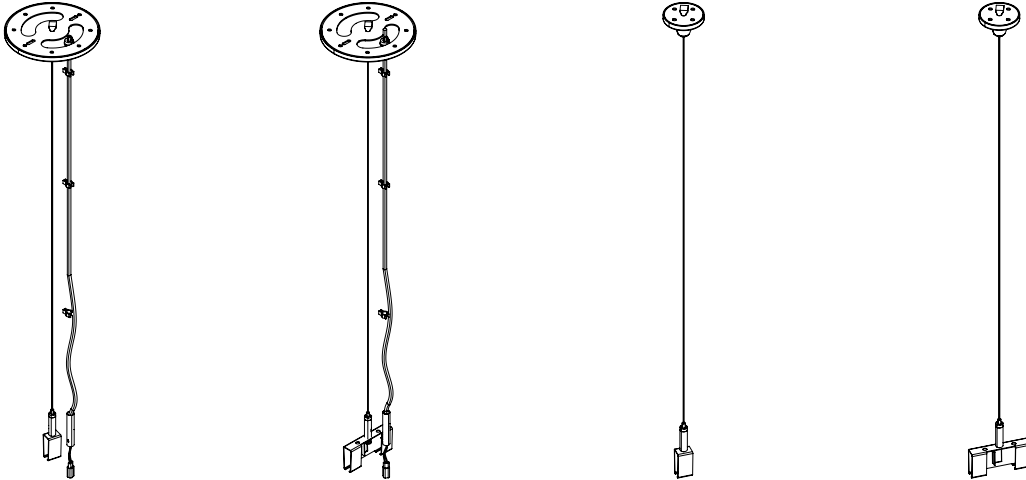


* Mounting hole 3/16"
1 - used for both horizontal & vertical applications

Installation Options

Aircraft Cable Suspension

Aircraft Cable w/ Multiple Canopies

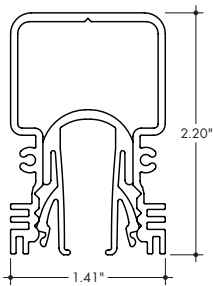


Note:

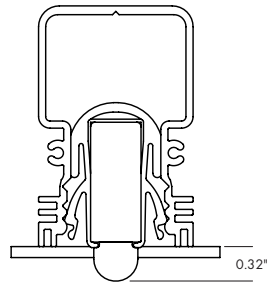
- The number of canopies/suspension points will be determined by the overall length and layout of your Plexineon. Contact Luminii for more information

Recessed Mounting

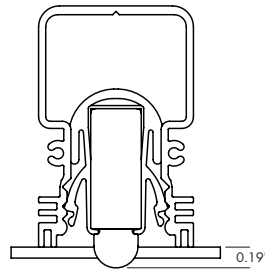
Housing Dimensions



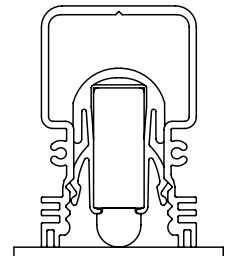
Housing w/ Exposed Plexineon



Housing w/ Semi-Recessed Plexineon



Housing w/ Fully Recessed Plexineon



Plexineon Bends

Factory Bends

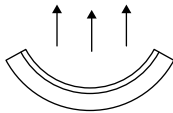
For designs that require smaller radius bends, Plexineon can be bent in our factory.

- iLight can factory bend convex and concave curves to a 5 inch minimum radius
- iLight can also form to 3/16" radius for letters or tighter curves in the "easy bend" direction

Hard Bends

Concave Bend

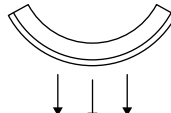
R Min = R5.00" [R127mm]



LIGHTING
DIRECTION
INSIDE

Convex Bend

R Min = R5.00" [R127mm]

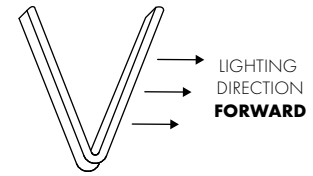


LIGHTING
DIRECTION
OUTSIDE

Easy Bends

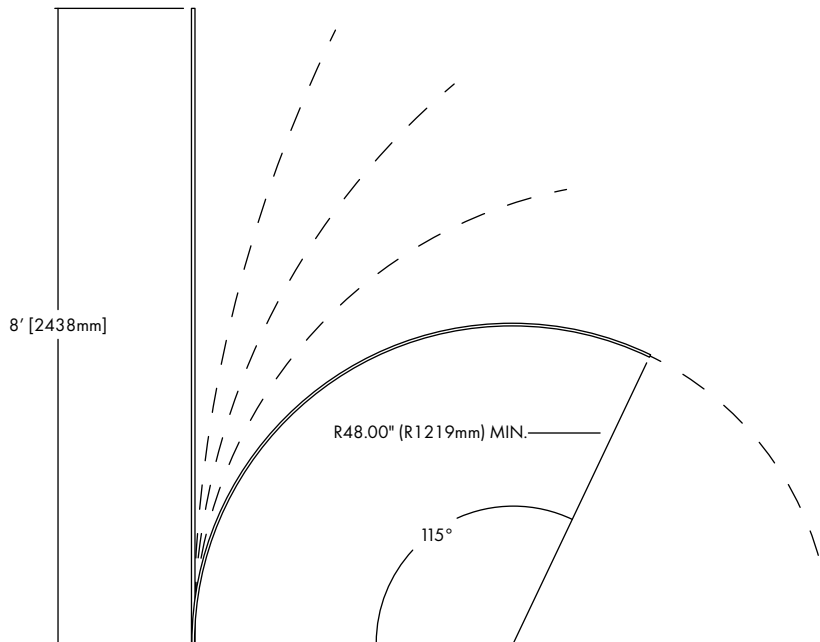


R Min = R0.19" [R5mm]



Field Bends

For designs with large radii or gentle curves, Plexineon can be gently bent in the field in the "easy" direction to allow for field bending, Plexineon must be ordered without C-channel.



Angle	Fixture Length (mm)	Radius (in)
115°	8' (2438mm)	48" (1219mm)
86°	6' (1829mm)	48" (1219mm)
57°	4' (1219mm)	48" (1219mm)

Note:

- Field bending shown in easy direction. cannot field bend into convex or concave bends.
- Easy direction refers to bend axis parallel to light direction
- Field bending only allowed on fixtures without C-Channel

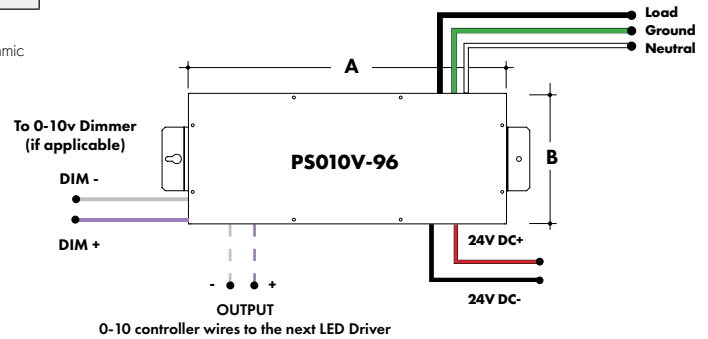
Power Supplies

See fixture and power supply instructions & spec sheet for wiring information. Dimming possible in select models - view Luminii website for list of compatible dimmers.

0-10V Dimming Power Supplies

MODEL	POWER	OUTPUT	DIMMING
PS010V	96	24	LIN
PS010V - 0-10V Power Supply dims down to 0%	96 - 96 Watt	24 - 24 VDC	LIN - Linear LOG - Logarithmic

MODELS	96W
A Length	14.40"
B Width	5.20"
Depth	2.60"

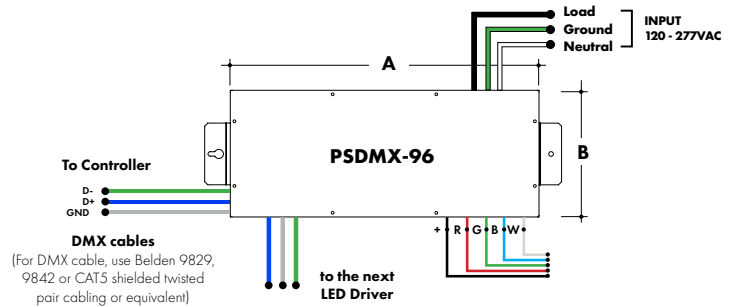


DMX Dimming Power Supplies

MODEL	POWER	OUTPUT
PSDMX	96	24
PSDMX - DMX Power Supply	96 - 96 Watt	24 - 24 VDC

Features eldoLED's LINEARdrive configurable dimmable drivers

MODELS	96W
A Length	14.40"
B Width	5.20"
Depth	2.60"

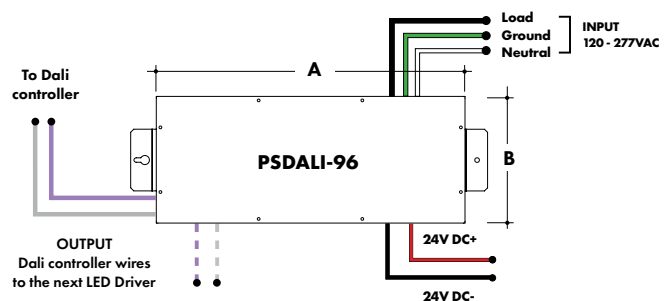


DALI Dimming Power Supplies

MODEL	POWER	OUTPUT
PSDALI	96	24
PSDALI - DALI Power Supply dims down to 0%	96 - 96 Watt	24 - 24 VDC

Features eldoLED's LINEARdrive configurable dimmable drivers

MODELS	96W
A Length	14.40"
B Width	5.20"
Depth	2.60"



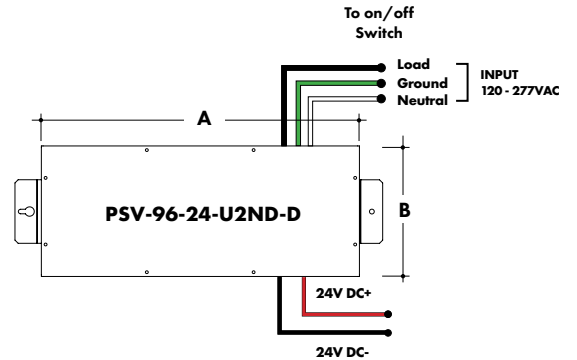
Power Supplies

See fixture and power supply instructions & spec sheet for wiring information. Dimming possible in select models - view Luminii website for list of compatible dimmers.

Non-Dimming Power Supply

MODEL	POWER	OUTPUT	DIMMING	LOCATION
PSV	96	24	U2ND	D
PSV - PSV Series	96 - 96 Watt	24 - 24 VDC	U2ND - Non Dimming	D - Damp

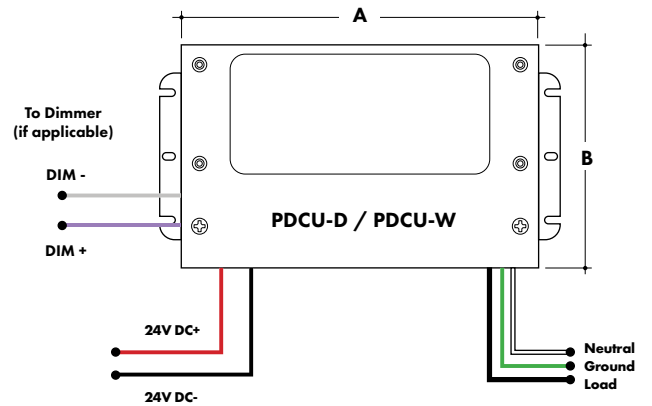
MODELS	96W
A Length	14.40"
B Width	5.20"
Depth	2.60"



Universal Power Supply

MODEL	POWER	OUTPUT
PDCU-D	30	24
PDCU-W - IP66 Wet Series	96 - 96 Watt 3X96 - 3X96 Watt	24 - 24 VDC
PDCU-D - IP20 Dry Series	30 - 30 Watt 60 - 60 Watt 96 - 96 Watt 3X96 - 3X96 Watt	

- 0-10V - 1% dimming
- MLV/ELV/TRIAC - 1% dimming



MODELS	PDCU-W 96 Watt	PDCU-W 3X96 Watt	PDCU-D 30 Watt	PDCU-D 60 Watt	PDCU-D 96 Watt	PDCU-D 3X96 Watt
A Length	8.66"	11.83"	6.10"	7.93"	8.25"	9.57"
B Width	3.73"	4.32"	3.35"	3.35"	4.10"	5.94"
Depth	1.61"	1.81"	1.33"	1.32"	1.56"	1.13"