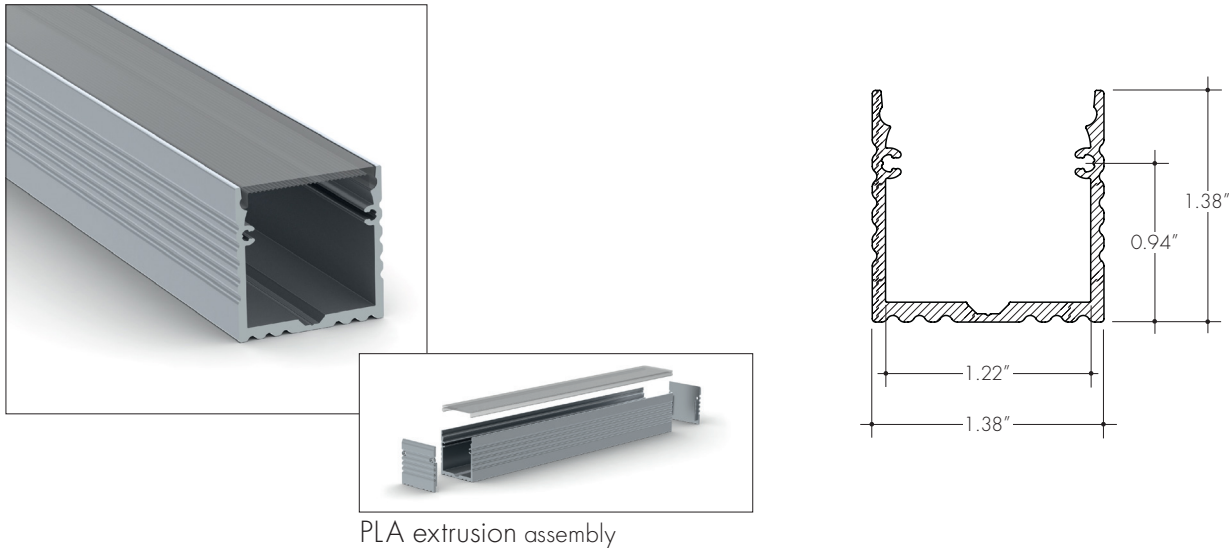
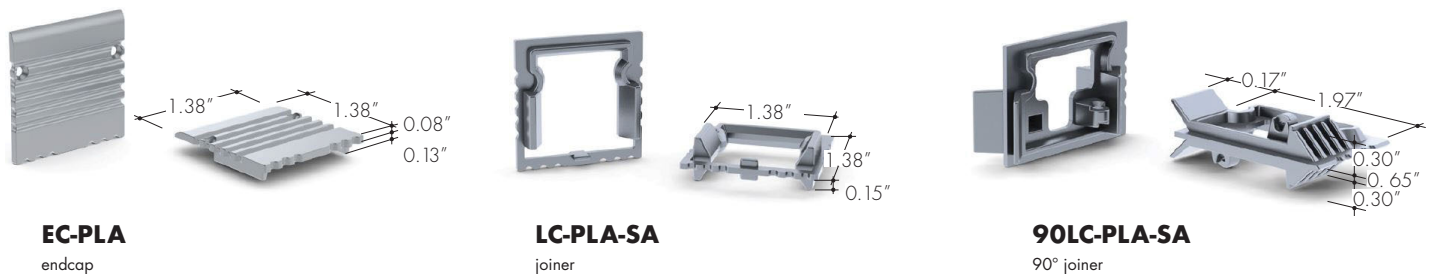


The PLA Channel is a linear aluminum extrusion that has been designed to fit many LED lighting needs and specifically high output applications. Substantial aluminum mass in profile provides excellent heat sink and physical protection for high power LEDs. The wide profile design can accommodate up to two rows of LED strips making the PLA linear aluminum extrusion ideal for bright general lighting applications. Extrusion and lens are field-cutttable. End caps & joiners sold separately.



Accessories



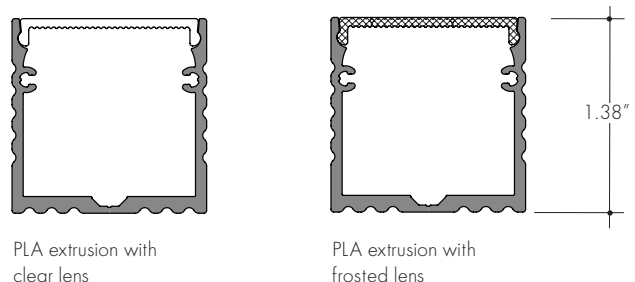
Technical information

Finish: Silver anodized

Available length: 39.40", 78.75" and 118.19"

Diffuser: polycarbonate, snap-in-place, UV resistant
Choice of clear or frosted lens with linear spread

Mounting: screw fasteners



Ordering code

MODEL	LENGTH	DIFFUSER	FINISH
PLA	39	C	SA
PLA - PLA aluminum extrusion	39 - 39.40" 78 - 78.75" 118 - 118.19"	C - Clear F - Frosted	SA - Silver anodized

NOTE: For Channels and Lenses over 90", incremental shipping charges will apply