

Features



- Constant voltage output
- Input Voltage, 120-277VAC
- Compatible with Triac, MLV, ELV, & PWM Dimmers
- Flicker-free dimming
- Cooling by free air convection
- Full protection metal case
- Auto reset breakers, from short circuit, overloading, & over temperature
- Dry location (IP20)
- 5 year Warranty

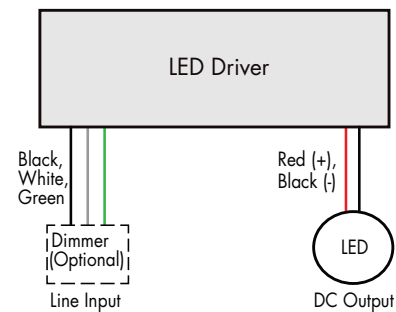


Technical Information

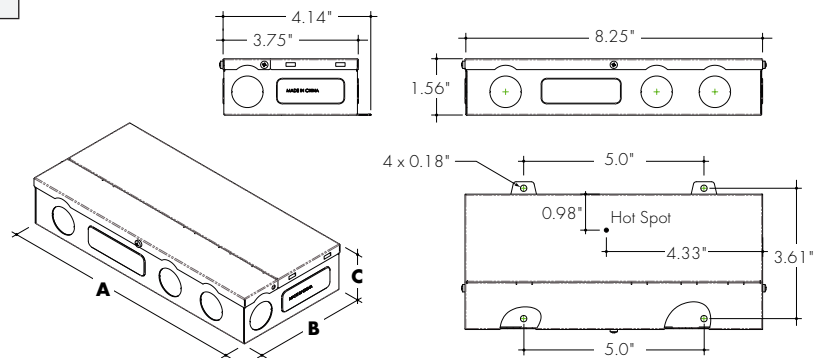
MODEL		PDC-96-24
ELECTRICAL	Voltage/ Frequency	120-277V AC @ 60Hz
	Inrush Current	80A @ 277V
	Power Factor	> 0.94 under 120-277V AC input with 80-100% load condition (for all output voltage)
	Efficiency	83% @ 120V 87% @ 277V
	Max Input Current	0.50A @ 120V, 0.25A @ 277V
	Max Output Power	96W
	Max Output Current	4.0A
	Output Voltage	24V DC
DIMENSIONS	Length A	8.25"
	Width B	4.10"
	Height C	1.56"
Net. Weight		2.20 lb
Operating Temperature		-40° - 140°F

NOTE: This unit needs to perform load calibration when use for the first time or load changed. Please run the unit with dimmer at max level for 10 seconds. During load calibration, output of the unit will delay for 2 - 3 seconds.

General Wiring Diagram



Dimensions



Ordering Code

MODEL	POWER	OUTPUT
PDC	96	24
PDC - (IP20) Power Supply	96 - 96 W	24 - 24 VDC

MLV/ELV/TRIAC - 1% dimming, consult dimming compatibility chart

Compatibility:
View a complete list of compatible dimmers on product page [\(Link\)](#)