



OAX 44 is a high performance flexible LED fixture suitable for use in coves, under cabinets, in shelves, and virtually anywhere a linear fixture is required.



**Environment**  
Damp Rated

**Lumen Maintenance**  
50,000 Hours

**Operating Voltage**  
24 VDC

**Warranty**  
5 Years

### Technical information

#### Electrical

Input Voltage	24VDC
Power Consumption	4.4 Watts per foot (18 LEDs per foot)
Wire Size	18AWG, 2 wire
Certification	<b>UL</b> Title 24 - JA8 2016 compliant. Class 2

#### Lumen Output

<b>2700K</b>	367.44 lm/ft 83.51 lm/Watt
<b>3000K</b>	371.09 lm/ft 84.34 lm/Watt
<b>3500K</b>	398.72 lm/ft 90.62 lm/Watt
<b>4100K</b>	392.39 lm/ft 89.18 lm/Watt

*Note: Stated lumen values have a tolerance of +/- 10%.*

#### Physical

Field Cuttable	Every 3.89" (9.91 mm)
Operating Temperature	-40°F (-40° C) to +158°F (+70°C)
Environment	Damp Rated
Maximum Run Length (in series)	25' (7.62M)
Dimensions	0.38" (9.65mm) x 0.13" (3.30mm)

#### Performance

CRI	90+
Lumen Maintenance	50,000 Hours
Binning Tolerance	+/- 100K
Warranty	5 years

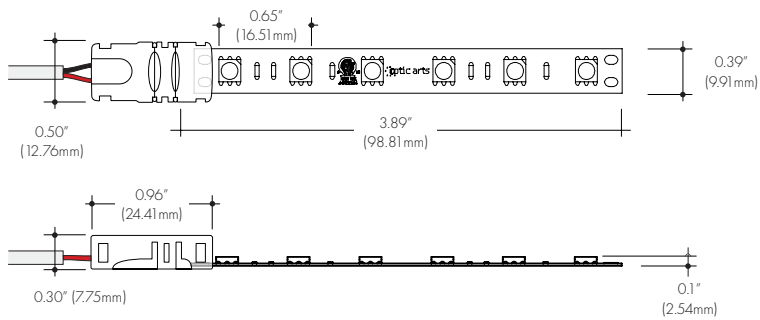
### Ordering code

OAX available in 25' reels.

SERIES	COLOR
OAX44	27K
	27K = 2700K
	30K = 3000K
	35K = 3500K
	41K = 4100K

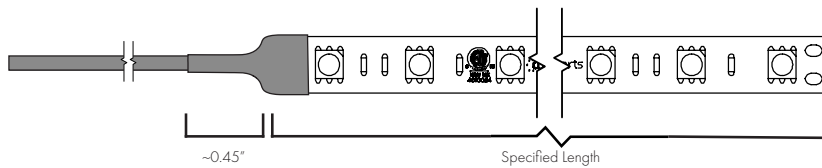
Dimensions

OAX 44



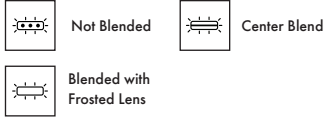
Indoor Dimensions

Width	0.39" (9.91 mm)
Height	0.10" (2.54 mm)
Cuttable Segment Length	3.89" (98.81 mm)
Pitch Length	0.65" (16.51 mm)



Mounting options - Compatible channels

Diffusion levels:



Lens options / light transmission percentage per lens:



Channel ordering code



0704C      84 = 84" (2133.60mm)      C = Clear<sup>1</sup>      SA = Satin Silver Anodized  
 0706C      HF = Half Frosted  
 0905C      F = Frosted<sup>1</sup>  
 1414C  
 1212CC

1: Not available for 1414C.

**0704C**

**MATERIAL**  
Anodized Aluminum.

**DESCRIPTION**  
0.68" x 0.34" nominal surface mounted channel.

**LENGTH**  
84" (2133.60mm)

**LENS TYPES**  
Clear LN-07XXC-84-C  
Half Frosted LN-07XXC-84-HF  
Frosted LN-07XXC-84-F

**ACCESSORIES**  
Endcap EC-0704C-H0  
Endcap w/hole EC-0704C-H1  
Mounting Clip MC-07XXC  
Rotating RC-07XXC  
Mounting Clip  
Flex Housing HG-0704C



**0706C**

**MATERIAL**  
Anodized Aluminum.

**DESCRIPTION**  
0.68" x 0.59" nominal surface mounted channel.

**LENGTH**  
84" (2133.60mm)

**LENS TYPES**  
Clear LN-07XXC-84-C  
Half Frosted LN-07XXC-84-HF  
Frosted LN-07XXC-84-F

**ACCESSORIES**  
Endcap EC-0706C-H0  
Endcap w/hole EC-0706C-H1  
Mounting Clip MC-07XXC  
Rotating RC-07XXC  
Mounting Clip  
Flex Housing HG-0706C



**0905C**

**MATERIAL**  
Anodized Aluminum.

**DESCRIPTION**  
0.93" x 0.39" nominal surface mounted channel.

**LENGTH**  
84" (2133.60mm)

**LENS TYPES**  
Clear LN-09XXC-84-C  
Half Frosted LN-09XXC-84-HF  
Frosted LN-09XXC-84-F

**ACCESSORIES**  
Endcap EC-0905C-H0  
Endcap w/hole EC-0905C-H1  
Mounting Clip MC-09XXC  
Rotating Mounting Clip RC-09XXC



**1414C**

**MATERIAL**  
Anodized Aluminum.

**DESCRIPTION**  
Wide and deep surface mounted or hanging channel. Eliminates visible LED nodes for most OAX products when used with a milky lens.

**LENGTH**  
84" (2133.60mm)

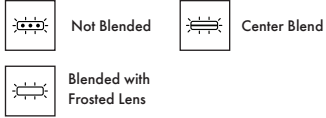
**LENS TYPES**  
Half Frosted LN-14XXC-84-HF

**ACCESSORIES**  
Endcap EC-1414C-H0  
Endcap w/hole EC-1414C-H1  
Mounting Clip MC-1414C  
Bracket Straight ABSTR-14XX  
Bracket 90° Flat AB90F-14XX  
Bracket 90° Raised AB90R-14XX



Mounting Options - Compatible Channels

Diffusion levels:



Lens options / light transmission percentage per lens:



**1212CC**

**Mounting Clip**

**MATERIAL**  
Anodized Aluminum.

**DESCRIPTION**  
45 degree channel with rounded lens.

**LENGTH**  
84" (2133.60mm)

**LENS TYPES**

Clear	LN-1212DCC-84-RC
Half Frosted	LN-1212DCC-84-RHF
Frosted	LN-1212DCC-84-RF

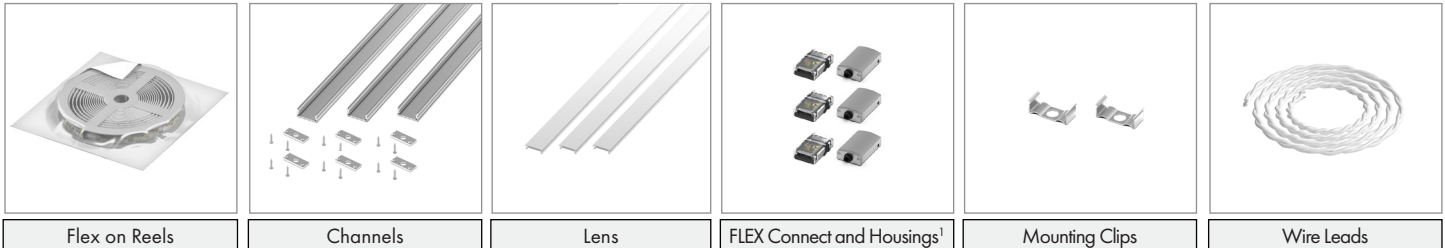
**ACCESSORIES**

Endcap	EC-1212C-H0
Endcap w/hole	EC-1212C-H1
Mounting Clip	MC-1212C



How to specify

- Specify OAX type and channel type.
- Flex is provided in full reels. Product is not cut to length.
- Two FLEX Connect® power feed connector<sup>1</sup> and two 6' (1.8M) leads provided per FLEX run.
- Channel shipped uncut for field cutting.
- Butt splices<sup>1</sup> are offered in 5 units per pack.
- Endcaps and Mounting clip are sold in packs of 10.



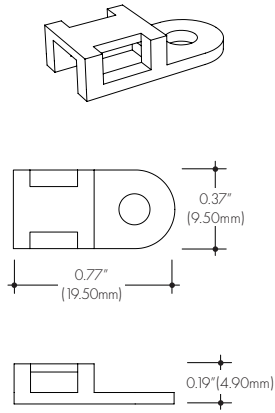
Flex on Reels Uncut, no wire lead	Channels Uncut 7' (2.1M) channels + end caps (2 per channel)	Lens Uncut 7' (2.1M) lenses	FLEX Connect and Housings <sup>1</sup> FLEX Connect® power feeds, butt splices and housings	Mounting Clips Surface mounting accessories	Wire Leads 6' (1.8M) wire leads
--------------------------------------	---	--------------------------------	--	--	------------------------------------

<sup>1</sup>: FLEX Connect® Auxiliary Housing Accessory is required for FLEX Connect® Power Feed Connector only for **0704C** and **0706C** channels. FLEX Connect® Butt Splice Connector fits in all channel except: **0704C** and **0706C**.

Accessories

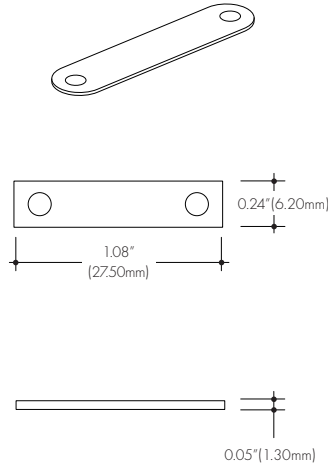
**FLEX-ZIP**

Strain Relief Clip



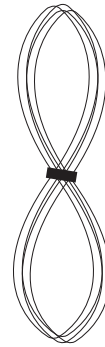
**FLEXMNT.SIL.INT**

Indoor Mounting Clip



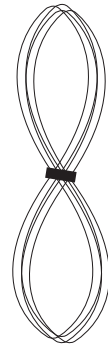
**L-18G-2C-W-72**

6' (1.8M) wire lead (not in-wall rated)



**LP-18G-2C-W-72**

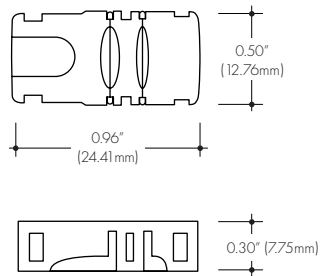
6' (1.8M) Plenum rated wire lead



**OAX-PFC-02-10**

Field installed FLEX Connect® power feed  
2 Conductor for 10mm Strip

FLEX Connect® are offered in 5 units per pack.

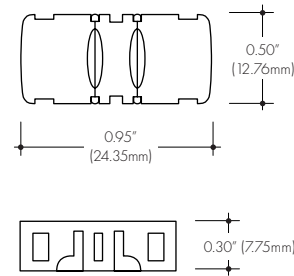


Note: FLEX Connect® Auxiliary Housing Accessory is required for FLEX Connect® Power Feed Connector only for **0704C** and **0706C** channels.

**OAX-BSC-02-10**

Field installed FLEX Connect® butt splice  
2 Conductor for 10mm Strip

FLEX Connect® are offered in 5 units per pack.

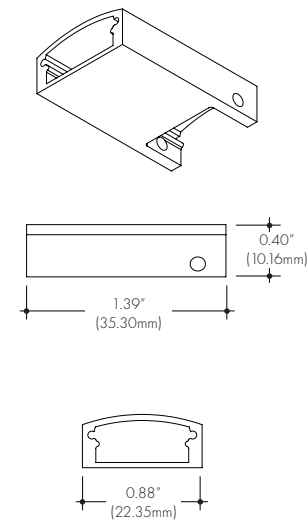


Fits in all channel **except:**

- 0704C
- 0706C

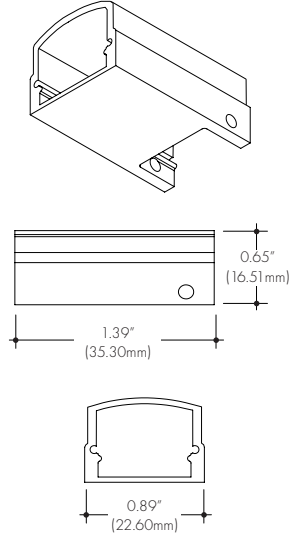
**HG-0704C**

Flex Connect Auxiliary Housing Accessory



**HG-0706C**

Flex Connect Auxiliary Housing Accessory



Compatible Drivers

**PURE DC® Universal Power Supply**

- Constant voltage output
- Variable Input Voltage, 110-277VAC
- Compatible with Triac, MLV, ELV, 0-10V, & PWM Dimmers

PART	DESCRIPTION
PDCU-30-24	30W 120/277VAC PURE DC® UNIVERSAL POWER SUPPLY
PDCU-60-24	60W 120/277VAC PURE DC® UNIVERSAL POWER SUPPLY
PDCU-96-24	96W 120/277VAC PURE DC® UNIVERSAL POWER SUPPLY

DIMENSIONS	
30W	L 6.50"; W 3.73"; H 1.61"
60W	L 7.40"; W 3.73"; H 1.61
96W	L 8.66"; W 3.73"; H 1.61

