



### Features

OAX 30 is a high performance flexible LED fixture suitable for use in covers, under cabinets, in shelves, and virtually anywhere a linear fixture is required.

#### Environment

Damp Rated

#### Operating Voltage

24VDC

#### Lumen Maintenance

50,000 Hours

#### Warranty

5 Years



Title 24  
JA8 2016  
Compliant



CLOSET  
RATED



Intertek

### Technical Information

#### Electrical

|                   |                                       |
|-------------------|---------------------------------------|
| Input Voltage     | 24VDC                                 |
| Power Consumption | 3.0 Watts per foot (36 LEDs per foot) |
| Wire Size         | 18AWG, 2 wire                         |

#### Certification

**UL**  
**Closet Rated** - Suitable for installation in the storage area of a clothes closet when used in Optic Arts®channel.  
**Title 24** - JA8 2016 compliant.  
**Class 2**

#### Lumen Output

|       |                            |
|-------|----------------------------|
| 2700K | 262.59 lm/ft 87.53 lm/Watt |
| 3000K | 265.65 lm/ft 88.55 lm/Watt |
| 3500K | 276.03 lm/ft 92.01 lm/Watt |
| 4100K | 286.77 lm/ft 95.59 lm/Watt |

Note: Stated lumen values have a tolerance of +/- 10%

### Physical

|                                |                                  |
|--------------------------------|----------------------------------|
| Field Cuttable                 | Every 1.97" (50.04mm)            |
| Operating Temperature          | -40°F (-40° C) to +158°F (+70°C) |
| Environment                    | Damp rated                       |
| Maximum Run Length (in series) | 38' (11.50M)                     |
| Dimensions                     | 0.31" (8.00mm) x 0.12" (3.05mm)  |

### Performance

|                   |              |
|-------------------|--------------|
| CRI               | 90+          |
| Lumen Maintenance | 50,000 Hours |
| Binning Tolerance | +/- 100K     |
| Warranty          | 5 years      |

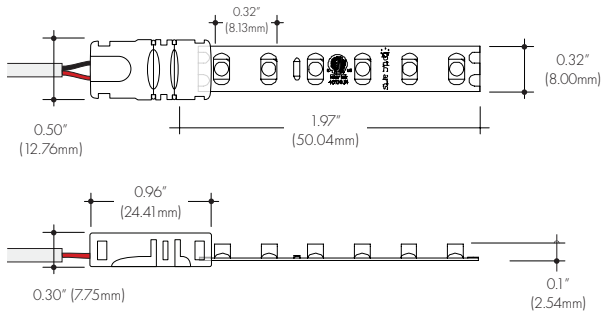
### Ordering Code

OAX available in 38' reels.

|              |  |
|--------------|--|
| SERIES       | COLOR  |
| <b>OAX30</b> | <b>27K</b>   |
|              | 27K - 2700K<br>30K - 3000K<br>35K - 3500K<br>41K - 4000K |

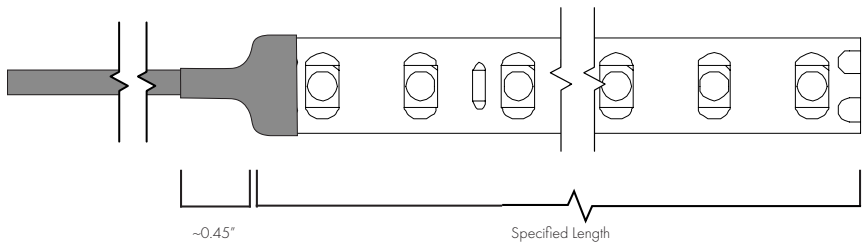
**Dimensions**

OAX 30



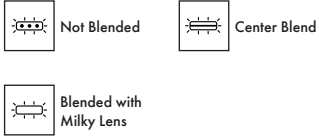
**Indoor Dimensions**

|                        |                 |
|------------------------|-----------------|
| Width                  | 0.32" (8.00mm)  |
| Height                 | 0.10" (2.52mm)  |
| Cutable Segment Length | 1.97" (50.00mm) |
| Pitch Length           | 0.32" (8.00mm)  |



Mounting Options - Compatible Channels

Diffusion Levels:



Lens Options / Light Transmission Percentage Per Lens:



Channel Ordering Code

| MODEL | LENGTH | LENS | FINISH |
|-------|--------|------|--------|
| XX-XX | XX     | XX   | XX     |

0704C 84 - 84" (2133.60mm) C - Clear<sup>1</sup> SA - Satin Silver Anodized  
 0706C HF - Half Frosted  
 0905C F - Frosted<sup>1</sup>  
 1414C  
 1212CC

1: Not available for 1414C

**0704C**

**MATERIAL**  
Anodized Aluminum.

**DESCRIPTION**  
0.68" x 0.34" nominal surface mounted channel.

**LENGTH**  
84" (2133.60mm)

**LENS TYPES**  
Clear LN-07XXC-84-C  
Half Frosted LN-07XXC-84-HF  
Frosted LN-07XXC-84-F

**ACCESSORIES**  
Endcap EC-0704C-H0  
Endcap w/ hole EC-0704C-H1  
Mounting Clip MC-07XXC  
Rotating RC-07XXC  
Mounting Clip  
Flex Housing HG-0704C

**0706C**

**MATERIAL**  
Anodized Aluminum.

**DESCRIPTION**  
0.68" x 0.59" nominal surface mounted channel.

**LENGTH**  
84" (2133.60mm)

**LENS TYPES**  
Clear LN-07XXC-84-C  
Half Frosted LN-07XXC-84-HF  
Frosted LN-07XXC-84-F

**ACCESSORIES**  
Endcap EC-0706C-H0  
Endcap w/ hole EC-0706C-H1  
Mounting Clip MC-07XXC  
Rotating RC-07XXC  
Mounting Clip  
Flex Housing HG-0706C

**0905C**

**MATERIAL**  
Anodized Aluminum.

**DESCRIPTION**  
0.93" x 0.39" nominal surface mounted channel.

**LENGTH**  
84" (2133.60mm)

**LENS TYPES**  
Clear LN-09XXC-84-C  
Half Frosted LN-09XXC-84-HF  
Frosted LN-09XXC-84-F

**ACCESSORIES**  
Endcap EC-0905C-H0  
Endcap w/ hole EC-0905C-H1  
Mounting Clip MC-09XXC  
Rotating Mounting RC-09XXC  
Clip

**1414C**

**MATERIAL**  
Anodized Aluminum.

**DESCRIPTION**  
Wide and deep surface mounted or hanging channel. Eliminates visible LED nodes for most OAX products when used with a milky lens.

**LENGTH**  
84" (2133.60mm)

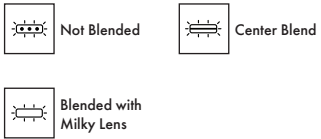
**LENS TYPES**  
Half Frosted LN-14XXC-84-HF

**ACCESSORIES**  
Endcap EC-1414C-H0  
Endcap w/ hole EC-1414C-H1  
Mounting Clip MC-1414C  
Bracket Straight ABSTR-14XX  
Bracket 90° Flat AB90F-14XX  
Bracket 90° Raised AB90R-14XX



**Mounting Options - Compatible Channels**

Diffusion Levels:



Lens Options / Light Transmission Percentage Per Lens:



**1212CC**

**MATERIAL**  
Anodized Aluminum.

**DESCRIPTION**  
45 degree channel with rounded lens.

**LENGTH**  
84" (2133.60mm)

**LENS TYPES**

|              |                   |
|--------------|-------------------|
| Clear        | LN-1212DCC-84-RC  |
| Half Frosted | LN-1212DCC-84-RHF |
| Frosted      | LN-1212DCC-84-RF  |

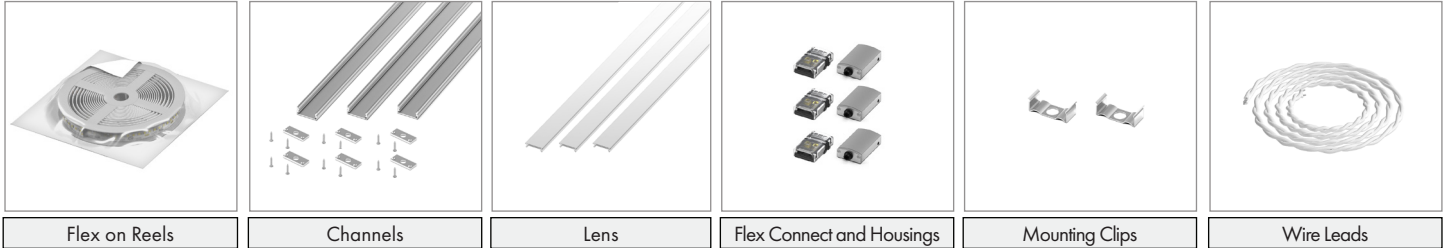
**ACCESSORIES**

|               |             |
|---------------|-------------|
| Endcap        | EC-1212C-H0 |
| Endcap w/hole | EC-1212C-H1 |
| Mounting Clip | MC-1212C    |



**How to Specify**

- Specify OAX type and channel type.
- Flex is provided in full reels. Product is not cut to length.
- Two FLEX Connect® power feed connector and two 6' (1.8M) leads provided per FLEX run.
- Channel shipped uncut for field cutting.
- Butt splices are offered in 5 units per pack.
- Endcaps and Mounting clip are sold in packs of 10.



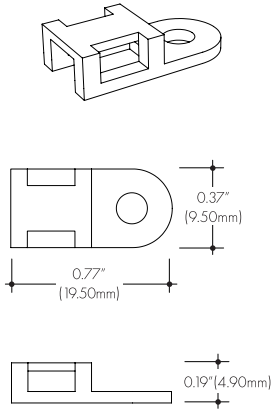
|                                      |   |                                |   |  |                                    |
|--------------------------------------|---|--------------------------------|---|--|------------------------------------|
| Flex on Reels<br>Uncut, no wire lead | Channels<br>Uncut 7' (2.1M) channels + end caps (2 per channel) | Lens<br>Uncut 7' (2.1M) lenses | Flex Connect and Housings<br>FLEX Connect® power feeds, butt splices and housings | Mounting Clips<br>Surface mounting accessories | Wire Leads<br>6' (1.8M) wire leads |
|--------------------------------------|---|--------------------------------|---|--|------------------------------------|

1: FLEX Connect® Auxiliary Housing Accessory is required for FLEX Connect® Power Feed Connector only for 0704C and 0706C channels. FLEX Connect® Butt Splice Connector fits in all channel except: 0704C and 0706C.

Accessories

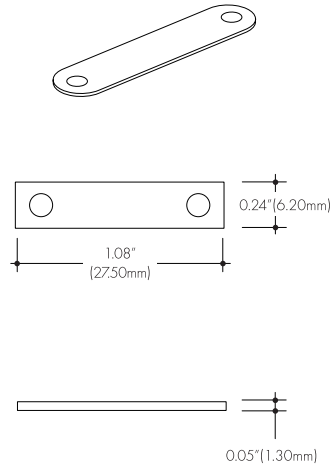
**FLEX-ZIP**

Strain Relief Clip



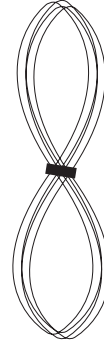
**FLEXMNT.SIL.INT**

Indoor Mounting Clip



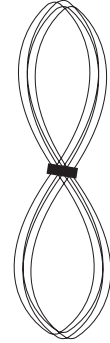
**L-18G-2C-W-72**

6' (1.8M) wire lead (not in-wall rated)



**LP-18G-2C-W-72**

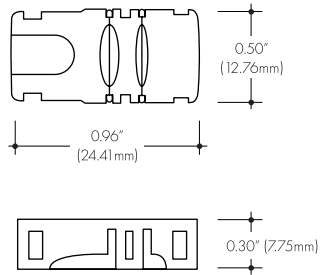
6' (1.8M) Plenum rated wire lead



**OAX-PFC-02-08**

Field installed FLEX Connect® power feed  
2 Conductor for 8mm Strip

FLEX Connect® are offered in 5 units per pack.

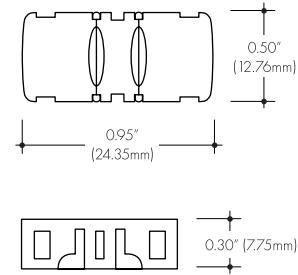


Note: FLEX Connect® Auxiliary Housing Accessory is required for FLEX Connect® Power Feed Connector only for **0704C** and **0706C** channels.

**OAX-BSC-02-08**

Field installed FLEX Connect® butt splice  
2 Conductor for 8mm Strip

FLEX Connect® are offered in 5 units per pack.

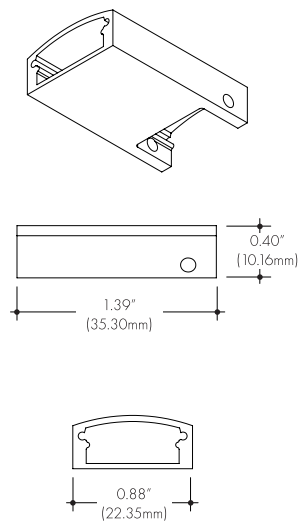


Fits in all channel **except**:

- 0704C
- 0706C

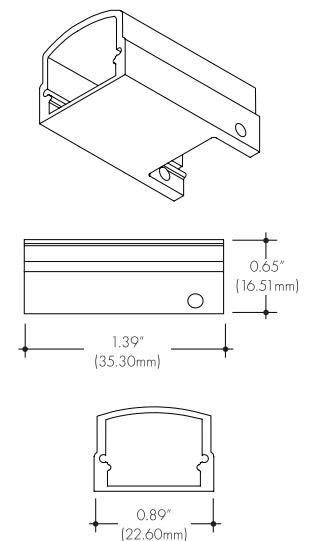
**HG-0704C**

Flex Connect Auxiliary Housing Accessory



**HG-0706C**

Flex Connect Auxiliary Housing Accessory



Compatible Drivers

**PURE DC® Universal Power Supply**

- Constant voltage output
- Variable Input Voltage, 110-277VAC
- Compatible with Triac, MLV, ELV, 0-10V, & PWM Dimmers

| PART       | DESCRIPTION                                    |
|------------|--|
| PDCU-30-24 | 30W 120/277VAC PURE DC® UNIVERSAL POWER SUPPLY |
| PDCU-60-24 | 60W 120/277VAC PURE DC® UNIVERSAL POWER SUPPLY |
| PDCU-96-24 | 96W 120/277VAC PURE DC® UNIVERSAL POWER SUPPLY |

| DIMENSIONS |                         |
|------------|-------------------------|
| 30WL       | 6.50"; W 3.73"; H 1.61" |
| 60WL       | 7.40"; W 3.73"; H 1.61  |
| 96WL       | 8.66"; W 3.73"; H 1.61  |

