

OAX 15 is a high performance flexible LED fixture suitable for use in coves, under cabinets, in shelves, and virtually anywhere a linear fixture is required.



Environment
Damp Rated

Lumen Maintenance
50,000 Hours

Operating Voltage
24 VDC

Warranty
5 Years

Technical information

Electrical

Input Voltage	24VDC
Power Consumption	1.5 Watts per foot (18 LEDs per foot)
Wire Size	18AWG, 2 wire
Certification	UL Closet Rated - Suitable for installation in the storage area of a clothes closet when used in Optic Arts® channel. Title 24 - JA8 2016 compliant. Class 2

Lumen Output

2700K	133.47 lm/ft 88.98 lm/Watt
3000K	134.07 lm/ft 89.38 lm/Watt
3500K	141.31 lm/ft 94.21 lm/Watt
4100K	144.50 lm/ft 96.33 lm/Watt

Note: Stated lumen values have a tolerance of +/- 10%.

Physical

Field Cuttable	Every 3.94" (100.00mm)
Operating Temperature	-40°F (-40° C) to +158°F (+70°C)
Environment	Damp Rated
Maximum Run Length (in series)	65' (19.80M)
Dimensions	0.32" (8.00mm) x 0.1" (2.54mm)

Performance

CRI	90+
Lumen Maintenance	50,000 Hours
Binning Tolerance	+/- 100K
Warranty	5 years

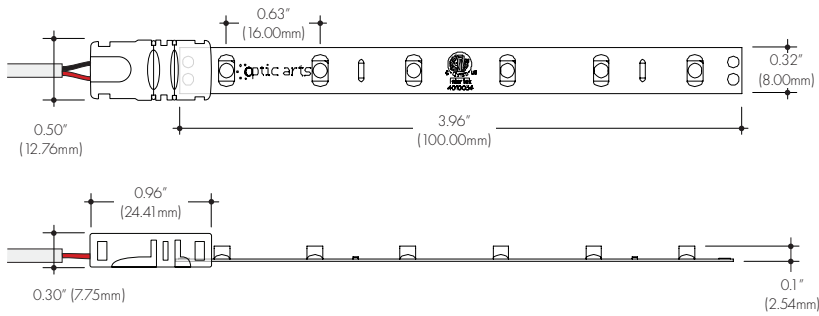
Ordering code

OAX available in 65' reels.

SERIES	COLOR
OAX15	27K
	27K = 2700K
	30K = 3000K
	35K = 3500K
	41K = 4100K

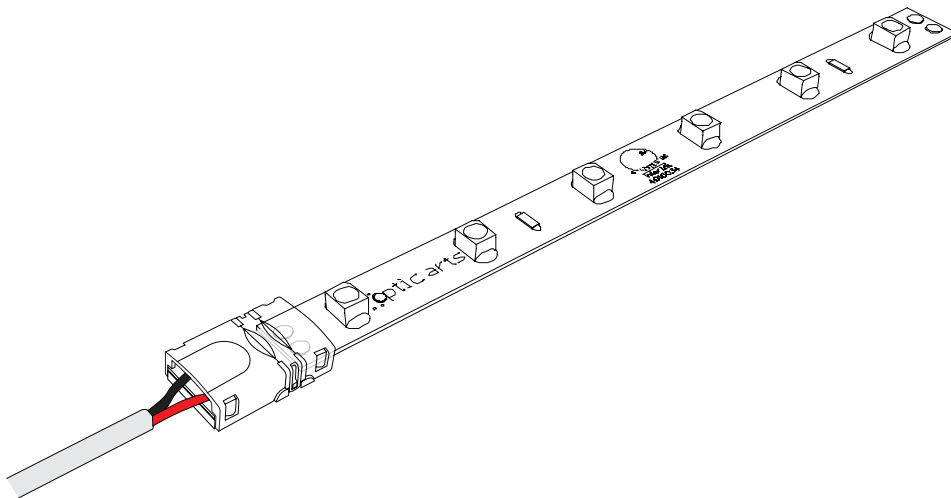
Dimensions

OAX 15



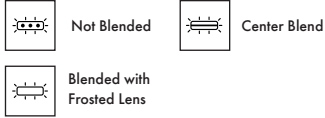
Indoor Dimensions

Width	0.32" (8.00mm)
Height	0.10" (2.54mm)
Cuttable Segment Length	3.94" (100.01mm)
Pitch Length	0.63" (16.00mm)



Mounting options - Compatible channels

Diffusion levels:



Lens options / light transmission percentage per lens:



Channel ordering code



0704C
0706C
0905C
1414C
1212CC

84" = 84" (2133.60mm)

C = Clear¹
HF = Half Frosted
F = Frosted¹

SA = Satin Silver Anodized

1: Not available for 1414C.

0704C

MATERIAL
Anodized Aluminum.

DESCRIPTION
0.68" x 0.34" nominal surface mounted channel.

LENGTH
84" (2133.60mm)

LENS TYPES
Clear LN-07XXC-84-C
Half Frosted LN-07XXC-84-HF
Frosted LN-07XXC-84-F

ACCESSORIES
Endcap EC-0704C-H0
Endcap w/hole EC-0704C-H1
Mounting Clip MC-07XXC
Rotating RC-07XXC
Mounting Clip
Flex Housing HG-0704C



0706C

MATERIAL
Anodized Aluminum.

DESCRIPTION
0.68" x 0.59" nominal surface mounted channel.

LENGTH
84" (2133.60mm)

LENS TYPES
Clear LN-07XXC-84-C
Half Frosted LN-07XXC-84-HF
Frosted LN-07XXC-84-F

ACCESSORIES
Endcap EC-0706C-H0
Endcap w/hole EC-0706C-H1
Mounting Clip MC-07XXC
Rotating RC-07XXC
Mounting Clip
Flex Housing HG-0706C



0905C

MATERIAL
Anodized Aluminum.

DESCRIPTION
0.93" x 0.39" nominal surface mounted channel.

LENGTH
84" (2133.60mm)

LENS TYPES
Clear LN-09XXC-84-C
Half Frosted LN-09XXC-84-HF
Frosted LN-09XXC-84-F

ACCESSORIES
Endcap EC-0905C-H0
Endcap w/hole EC-0905C-H1
Mounting Clip MC-09XXC
Rotating Mounting Clip RC-09XXC



1414C

MATERIAL
Anodized Aluminum.

DESCRIPTION
Wide and deep surface mounted or hanging channel. Eliminates visible LED nodes for most OAX products when used with a milky lens.

LENGTH
84" (2133.60mm)

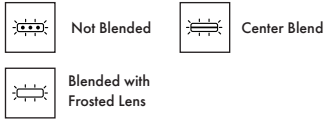
LENS TYPES
Half Frosted LN-14XXC-84-HF

ACCESSORIES
Endcap EC-1414C-H0
Endcap w/hole EC-1414C-H1
Mounting Clip MC-1414C
Bracket Straight ABSTR-14XX
Bracket 90° Flat AB90F-14XX
Bracket 90° Raised AB90R-14XX



Mounting Options - Compatible Channels

Diffusion levels:



Lens options / light transmission percentage per lens:



1212CC

Mounting Clip

MATERIAL
Anodized Aluminum.

DESCRIPTION
45 degree channel with rounded lens.

LENGTH
84" (2133.60mm)

LENS TYPES

Clear	LN-1212DCC-84-RC
Half Frosted	LN-1212DCC-84-RHF
Frosted	LN-1212DCC-84-RF

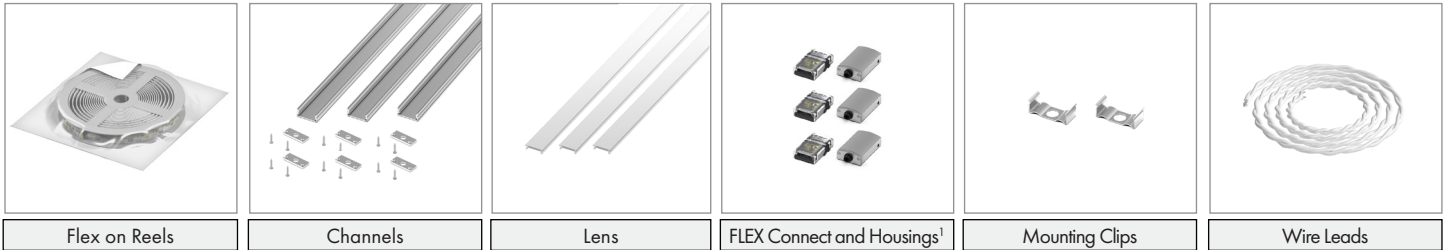
ACCESSORIES

Endcap	EC-1212C-H0
Endcap w/ hole	EC-1212C-H1
Mounting Clip	MC-1212C



How to specify

- Specify OAX type and channel type.
- Flex is provided in full reels. Product is not cut to length.
- Two FLEX Connect® power feed connector¹ and two 6' (1.8M) leads provided per FLEX run.
- Channel shipped uncut for field cutting.
- Butt splices¹ are offered in 5 units per pack.
- Endcaps and Mounting clip are sold in packs of 10.



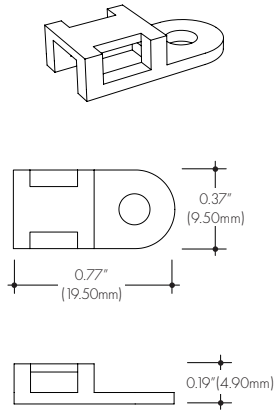
Flex on Reels Uncut, no wire lead	Channels Uncut 7' (2.1M) channels + end caps (2 per channel)	Lens Uncut 7' (2.1M) lenses	FLEX Connect and Housings ¹ FLEX Connect® power feeds, butt splices and housings	Mounting Clips Surface mounting accessories	Wire Leads 6' (1.8M) wire leads
--------------------------------------	---	--------------------------------	--	--	------------------------------------

¹: FLEX Connect® Auxiliary Housing Accessory is required for FLEX Connect® Power Feed Connector only for **0704C** and **0706C** channels. FLEX Connect® Butt Splice Connector fits in all channel except: **0704C** and **0706C**.

Accessories

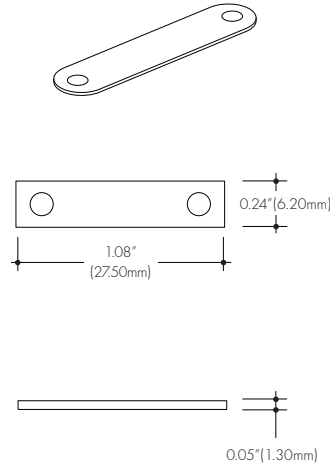
FLEX-ZIP

Strain Relief Clip



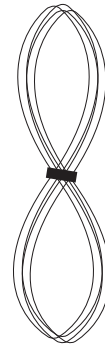
FLEXMNT.SIL.INT

Indoor Mounting Clip



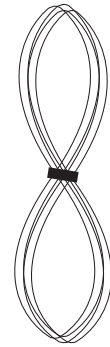
L-18G-2C-W-72

6' (1.8M) wire lead (not in-wall rated)



LP-18G-2C-W-72

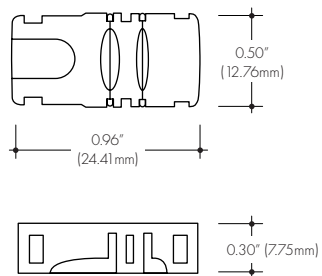
6' (1.8M) Plenum rated wire lead



OAX-PFC-02-08

Field installed FLEX Connect® power feed
2 Conductor for 8mm Strip

FLEX Connect® are offered in 5 units per pack.

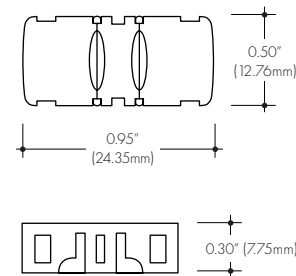


Note: FLEX Connect® Auxiliary Housing Accessory is required for FLEX Connect® Power Feed Connector only for **0704C** and **0706C** channels.

OAX-BSC-02-08

Field installed FLEX Connect® butt splice
2 Conductor for 8mm Strip

FLEX Connect® are offered in 5 units per pack.

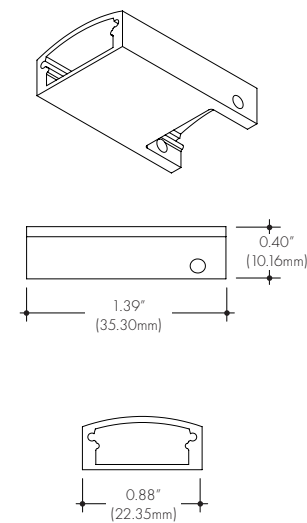


Fits in all channel **except:**

- 0704C
- 0706C

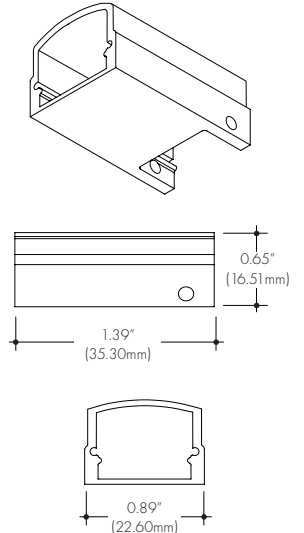
HG-0704C

Flex Connect Auxiliary Housing Accessory



HG-0706C

Flex Connect Auxiliary Housing Accessory



Compatible Drivers

PURE DC® Universal Power Supply

- Constant voltage output
- Variable Input Voltage, 110-277VAC
- Compatible with Triac, MLV, ELV, 0-10V, & PWM Dimmers

PART	DESCRIPTION
PDCU-30-24	30W 120/277VAC PURE DC® UNIVERSAL POWER SUPPLY
PDCU-60-24	60W 120/277VAC PURE DC® UNIVERSAL POWER SUPPLY
PDCU-96-24	96W 120/277VAC PURE DC® UNIVERSAL POWER SUPPLY

DIMENSIONS

30W	L 6.50"; W 3.73"; H 1.61"
60W	L 7.40"; W 3.73"; H 1.61
96W	L 8.66"; W 3.73"; H 1.61

