

OAX 15 is a high performance flexible LED fixture suitable for use in coves, under cabinets, in shelves, and virtually anywhere a linear fixture is required.

Environment
Damp Rated

Operating Voltage
24 VDC

Lumen Maintenance
50,000 Hours

Warranty
5 Years



Technical information

Electrical

Input Voltage	24VDC
Power Consumption	1.5 Watts per foot (18 LEDs per foot)
Wire Size	20 AWG, 2 wire
Certification	UL Closet Rated - Suitable for installation in the storage area of a clothes closet when used in Optic Arts® channel. Title 24 - JAB 2016 compliant. Class 2

Lumen Output

2700K	133.47 lm/ft 88.98 lm/Watt
3000K	134.07 lm/ft 89.38 lm/Watt
3500K	141.31 lm/ft 94.21 lm/Watt
4100K	144.50 lm/ft 96.33 lm/Watt

Note: Stated lumen values have a tolerance of +/- 10%.

Physical

Field Cuttable	Every 3.94" (100.00mm)
Operating Temperature	-40°F (-40° C) to +158°F (+70°C)
Environment	Damp Rated
Maximum Run Length (in series)	65' (19.80M)
Dimensions	0.32" (8.00mm) x 0.1" (2.54mm)

Performance

CRI	90+
Lumen Maintenance	50,000 Hours
Binning Tolerance	+/- 100K
Warranty	5 years

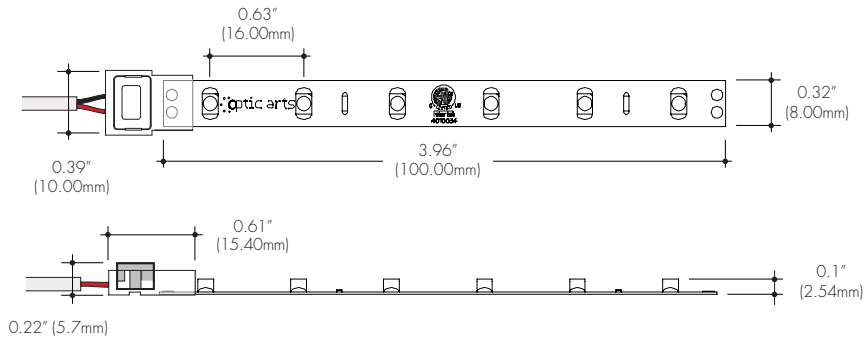
Ordering code

OAX available in 65' reels.

SERIES	COLOR
OAX15	27K
	27K = 2700K
	30K = 3000K
	35K = 3500K
	41K = 4100K

Dimensions

OAX 15

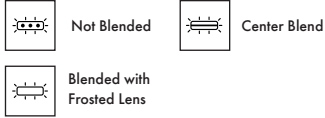


Indoor Dimensions

Width	0.32" (8.00mm)
Height	0.10" (2.54mm)
Cuttable Segment Length	3.94" (100.01mm)
Pitch Length	0.63" (16.00mm)

Mounting options - Compatible channels

Diffusion levels:



Lens options / light transmission percentage per lens:



Channel ordering code



0704C 84 = 84" (2133.60mm) C = Clear¹ SA = Satin Silver Anodized
 0706C HF = Half Frosted
 0905C F = Frosted¹
 1414C
 1212CC

1: Not available for 1414C.

0704C

MATERIAL
Anodized Aluminum.

DESCRIPTION
0.68" x 0.34" nominal surface mounted channel.

LENGTH
84" (2133.60mm)

LENS TYPES
Clear LN-07XXC-84-C
Half Frosted LN-07XXC-84-HF
Frosted LN-07XXC-84-F

ACCESSORIES
Endcap EC-0704C-H0
Endcap w/hole EC-0704C-H1
Mounting Clip MC-07XXC
Rotating Mounting Clip RC-07XXC
Flex Housing HG-0704C

0706C

MATERIAL
Anodized Aluminum.

DESCRIPTION
0.68" x 0.59" nominal surface mounted channel.

LENGTH
84" (2133.60mm)

LENS TYPES
Clear LN-07XXC-84-C
Half Frosted LN-07XXC-84-HF
Frosted LN-07XXC-84-F

ACCESSORIES
Endcap EC-0706C-H0
Endcap w/hole EC-0706C-H1
Mounting Clip MC-07XXC
Rotating Mounting Clip RC-07XXC
Flex Housing HG-0706C

0905C

MATERIAL
Anodized Aluminum.

DESCRIPTION
0.93" x 0.39" nominal surface mounted channel.

LENGTH
84" (2133.60mm)

LENS TYPES
Clear LN-09XXC-84-C
Half Frosted LN-09XXC-84-HF
Frosted LN-09XXC-84-F

ACCESSORIES
Endcap EC-0905C-H0
Endcap w/hole EC-0905C-H1
Mounting Clip MC-09XXC
Rotating Mounting Clip RC-09XXC

1414C

MATERIAL
Anodized Aluminum.

DESCRIPTION
Wide and deep surface mounted or hanging channel. Eliminates visible LED nodes for most OAX products when used with a milky lens.

LENGTH
84" (2133.60mm)

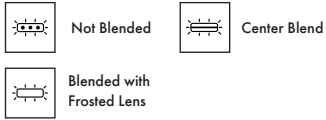
LENS TYPES
Half Frosted LN-14XXC-84-HF

ACCESSORIES
Endcap EC-1414C-H0
Endcap w/hole EC-1414C-H1
Mounting Clip MC-1414C
Bracket Straight ABSTR-14XX
Bracket 90° Flat AB90F-14XX
Bracket 90° Raised AB90R-14XX



Mounting Options - Compatible

Diffusion levels:



Lens options / light transmission percentage per lens:



1212CC

MATERIAL
Anodized Aluminum.

DESCRIPTION
45 degree channel with rounded lens.

LENGTH
84" (2133.60mm)

LENS TYPES

Clear	LN-1212DCC-84-RC
Half Frosted	LN-1212DCC-84-RHF
Frosted	LN-1212DCC-84-RF

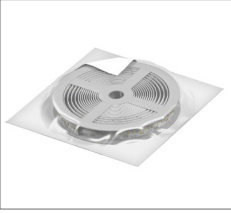
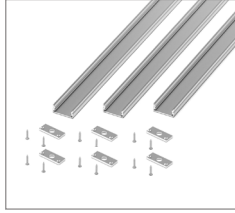
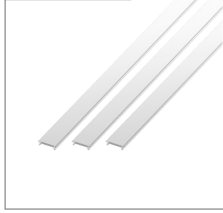


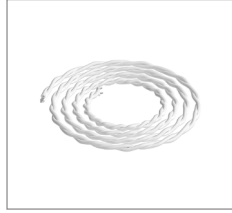
ACCESSORIES

Endcap	EC-1212C-H0
Endcap w/hole	EC-1212C-H1
Mounting Clip	MC-1212C



How to specify

- Specify OAX type and channel type.
- Flex is provided in full reels. Product is not cut to length.
- Two FLEX Connect® power feed connector and two 20 AWG 6' (1.8M) leads provided per FLEX run.
- Channel shipped uncut for field cutting.
- Butt splices are offered in 5 units per pack.
- Endcaps and Mounting clip are sold in packs of 10.

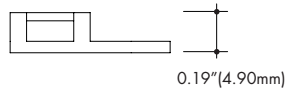
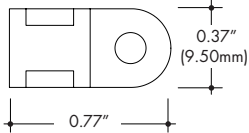
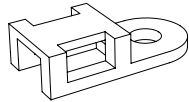
					
Flex on Reels	Channels	Lens	FLEX Connect and Housings ¹	Mounting Clips	Wire Leads
Uncut, no wire lead	Uncut 7' (2.1M) channels + end caps (2 per channel)	Uncut 7' (2.1M) lenses	FLEX Connect® power feeds, butt splices and housings	Surface mounting accessories	20 AWG 6' (1.8M) wire leads

¹: FLEX Connect® Auxiliary Housing Accessory is required for FLEX Connect® Power Feed Connector only for **0704C** and **0706C** channels. FLEX Connect® Butt Splice Connector fits in all channel except: **0704C** and **0706C**.

Accessories

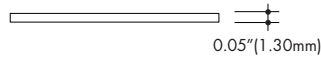
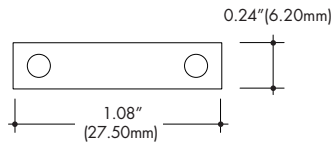
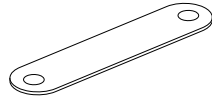
FLEX-ZIP

Strain Relief Clip



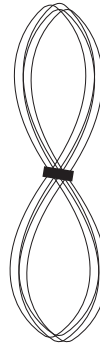
FLEXMNT.SIL.INT

Indoor Mounting Clip



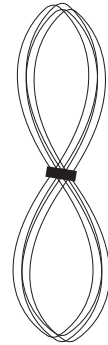
L-20G-2C-W-72

20 AWG 6' (1.8M) wire lead (not in-wall rated)



LP-20G-2C-W-72

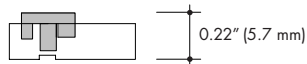
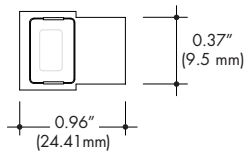
20 AWG 6' (1.8M) Plenum rated wire lead



OAX-PFC-8XB-2

Field installed FLEX Connect® power feed 2 Conductor for 8mm Strip and 20 AVWG

FLEX Connect® are offered in 5 units per pack.

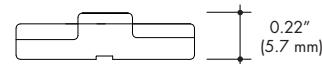
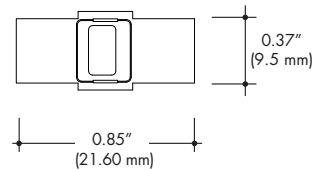


Note: FLEX Connect® Auxiliary Housing Accessory is required for FLEX Connect® Power Feed Connector only for **0704C** and **0706C** channels

OAX-BSC-8BB-2

Field installed FLEX Connect® butt splice 2 Conductor for 8mm Strip

FLEX Connect® are offered in 5 units per pack.

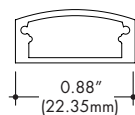
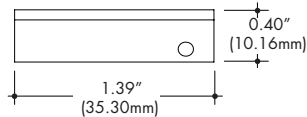
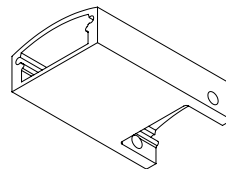


Fits in all channels except:

- 0704CR
- 0706CR

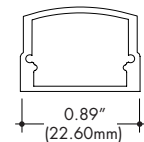
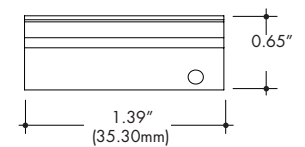
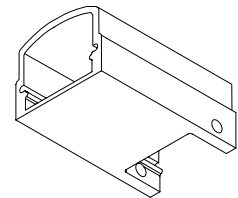
HG-0704C

Flex Connect Auxiliary Housing Accessory



HG-0706C

Flex Connect Auxiliary Housing Accessory



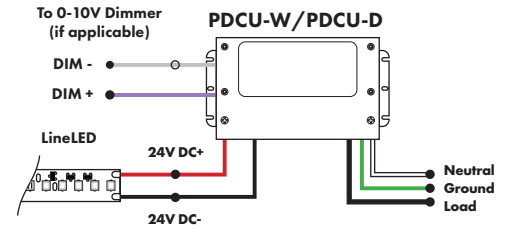
Power Supplies

See Power Supply instructions and spec sheet for wiring information. For a complete list of compatible dimmers, see Compatible Dimming Chart on the Resources page.

Universal Power Supply 1% 120VAC - 277VAC

MODEL	POWER	OUTPUT
PDCU-D - IP20 Dry Series	30 - 30 W 60 - 60 W 96 - 96 W 3X96 - 3X96 W	24 - 24 VDC
PDCU-W - IP66 Wet Series	96 - 96 W 3X96 - 3X96 W	

0-10V dims down to 1%, MLV/ELV/TRIAC dims down to 1%.
For a complete list of compatible dimmers, see [Compatible Dimming Chart](#) on the Resources page.

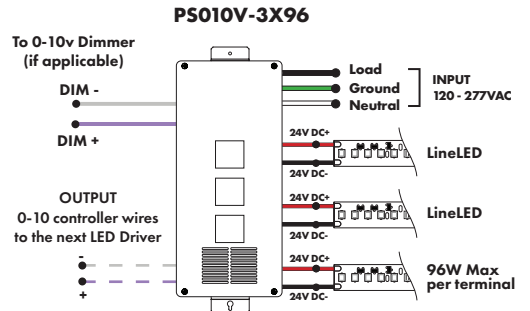
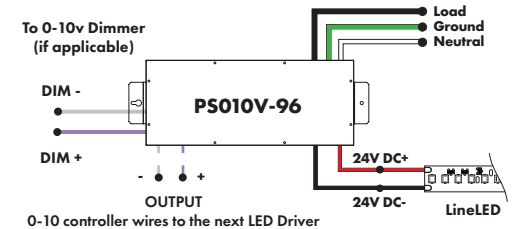


MODELS	PDCU-W 96W	PDCU-W 3X96W	PDCU-D 30W	PDCU-D 60W	PDCU-D 96W	PDCU-D 3X96W
Length	8.66"	11.85"	6.10"	7.93"	8.25"	9.57"
Width	3.73"	4.32"	3.35"	3.35"	4.10"	5.94"
Depth	1.61"	1.81"	1.33"	1.32"	1.56"	1.13"

0-10V Dimming Power Supplies 0.1% 120VAC - 277VAC

MODEL	POWER	OUTPUT	DIMMING
PS010V - 0-10V Power Supply dims down to 0.1%	96 - 96 Watt 3X96 - 3 X 96 Watt	24 - 24 VDC	LIN - Linear LOG - Logarithmic

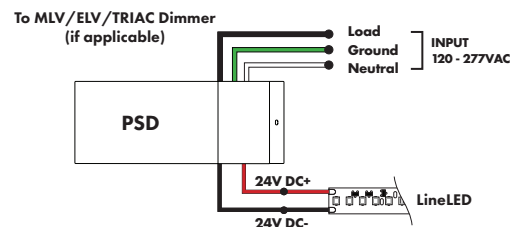
MODELS	96W	3X96
Length	14.40"	15.75"
Width	5.20"	6.62"
Depth	2.60"	4.95"



Magnetic Low Voltage Dimming Power Supplies

MODEL	POWER	OUTPUT	INPUT
PSD - PSD Series dims down to 0%	48 - 48 Watt 96 - 96 Watt 288 - 288 Watt (3 x 96Watt)	24 - 24 VDC	Blank - 120 V 240 - 240 V 277 - 277 V

MODELS	48W	96W	288W
Length	11.25"	11.25"	13.06"
Width	3.42"	3.42"	8.42"
Depth	3.42"	3.27"	4.47"



Power Supplies

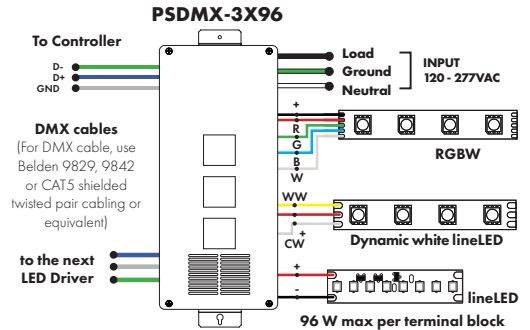
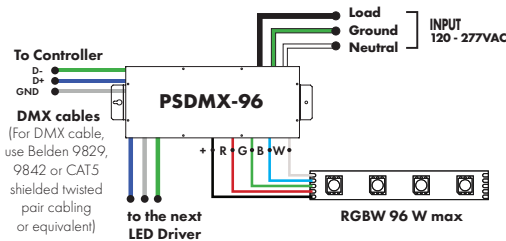
See Power Supply instructions and spec sheet for wiring information. For a complete list of compatible dimmers, see Compatible Dimming Chart on the Resources page.

DMX Dimming Power Supplies 120VAC - 277VAC

MODEL	POWER	OUTPUT
PSDMX - DMX Power Supply dims down to 0%	96 - 96 Watt 3X96 - 3 X 96 Watt	24 - 24 VDC

Features eldoLED's LINEARdrive configurable dimmable drivers

MODELS	96W	3X96
Length	14.40"	15.75"
Width	5.20"	6.62"
Depth	2.60"	4.95"

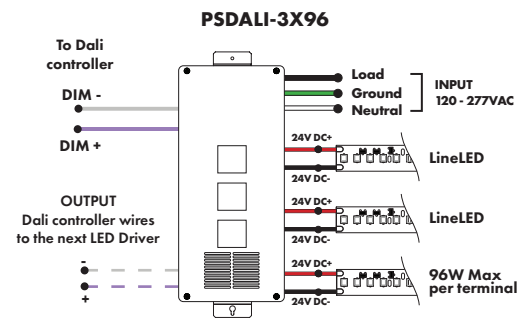
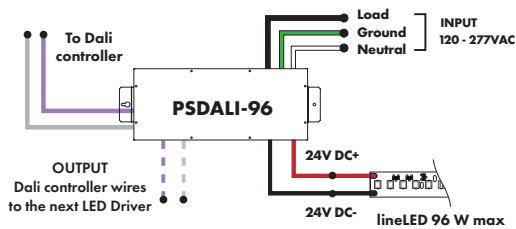


DALI 0% Dimming Power Supplies 120VAC - 277VAC

MODEL	POWER	OUTPUT
PSDALI - DALI Power Supply dims down to 0%	96 - 96 Watt 3X96 - 3 X 96 Watt	24 - 24 VDC

Features eldoLED's LINEARdrive configurable dimmable drivers

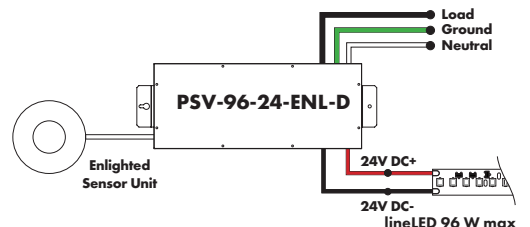
Model	96W	3X96
Length	14.40"	15.75"
Width	5.20"	6.62"
Depth	2.60"	4.95"



Enlighted Enabled Dimming Power Supplies 120VAC - 277VAC

MODEL	POWER	OUTPUT	DIMMING	LOCATION
PSV - PSV Series	96 - 96 Watt	24 - 24 VDC	ENL - Enlighted Dimming dims down to 0%	D - Damp

Model	96W
Length	14.40"
Width	5.20"
Depth	2.60"



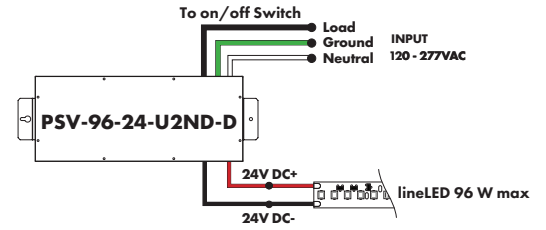
Power Supplies

See Power Supply instructions and spec sheet for wiring information. For a complete list of compatible dimmers, see Compatible Dimming Chart on the Resources page.

Non-Dimming Power Supply 120VAC - 277VAC

MODEL	POWER	OUTPUT	DIMMING	LOCATION
PSV - PSV Series	96 - 96 Watt	24 - 24 VDC	U2ND - Non Dimming	D - Damp

MODELS	96W
Length	14.40"
Width	5.20"
Depth	2.60"

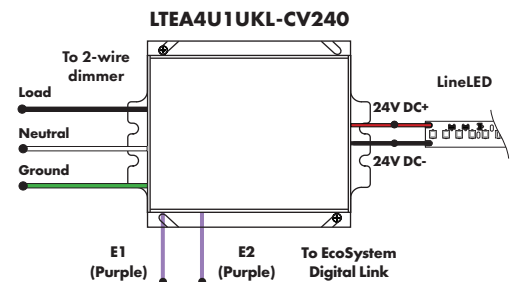
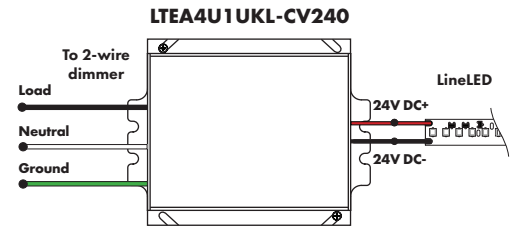


Luminii is a Lutron OEM Advantage Partner

Lutron Power Supplies 1%

MODEL	MODEL
LTEA4U1UKL-CV240	L3DA4U1UKL-CV240
Lutron - HiLume™ 1% 2-wire LED Driver 40W max	HiLume™ 1% EcoSystem Voltage LED driver 40W max
(120V forward phase only)	

MODELS	LTEA4U1UKL-CV240	L3DA4U1UKL-CV240
Length	4.89"	4.98"
Width	4.00"	4.00"
Depth	2.62"	2.62"

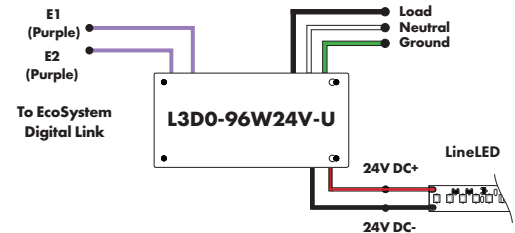


Luminii is a Lutron OEM Advantage Partner

Lutron Power Supplies 0.1%

MODEL
L3D0-96W24V-U
HiLume™ 0.1% EcoSystem Voltage LED Driver with Soft-On, Fade-to-Black™ 96W max

MODELS	L3D0
Length	10.50"
Width	5.50"
Depth	2.00"



In-Ground Power Supplies

MODEL	POWER	OUTPUT	INPUT
IG - In ground CVE Series	CVE - ELV Dimming DALI - eidoLED Dali dimming Both dims down to 0%	96X2 - 2 X 96 Watt	24 - 24 VDC
			Blank - 120 V 277 - 240/277 V

MODELS	Dual Circuit
Length	8.40"
Width	8.30"
Depth	8.10"

