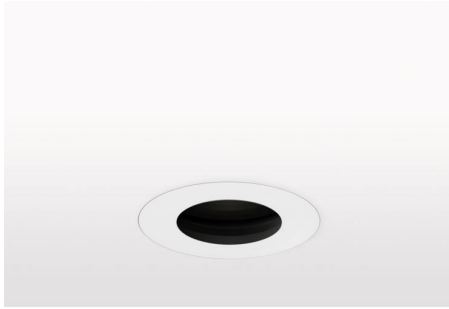


25° MEDIUM BEAM



TECHNICAL DESCRIPTION

Minimo Dynamic White Adjustable Pinhole Trimless IP54 is a Constant Current single source pro-series downlight with the option of 2 CCT tuning ranges (1800-3000K / 2700-5000K) and comes as standard in white and black. It has four site-changeable optics for flexible beam distribution and is fully adjustable with 360° pan and 35° tilt without breaking the ceiling line. The medium beam in our 12.60W 1050lm module has a peak intensity of 3600cd. The integral accessory holder can accommodate 32mm lenses and louvers.

MECHANICAL & ELECTRICAL

<b>CATEGORY</b> IP54	<b>WATTAGE</b> 12.60W
<b>MATERIAL</b> Machined AL 6063-T6	<b>FORWARD VOLTAGE</b> 18V
<b>PAN</b> 360°	<b>SUPPLY TYPE</b> Constant Current Dual Channel
<b>TILT</b> 35°	<b>DRIVER LOCATION</b> Remote
<b>LOCKABLE</b> N/A	<b>DIMMING</b> DALI   0-10V
<b>WEIGHT</b> 296g   0.65lb	

MOUNTING

<b>MOUNTING</b> Recessed	<b>CUTOUT</b> ø76mm (3.00")
<b>CEILING THICKNESS</b> min 5mm (0.20")	<b>MIN CEILING VOID</b> 20mm (0.79") clearance above

FINISHES

FINISHES White RAL9010 | Black RAL9005

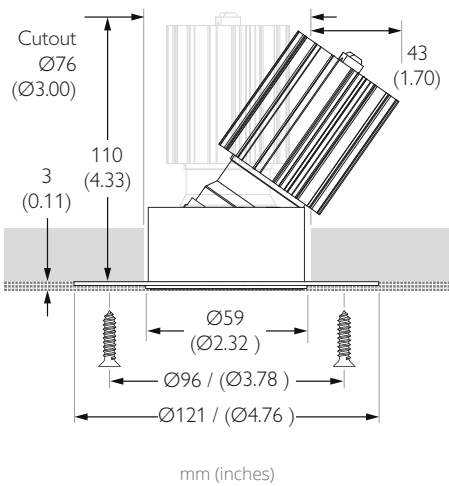
\*Premium & custom finishes are built & finished to order. These are subject to an extended lead time & MOQ.

OPTICAL & STANDARDS

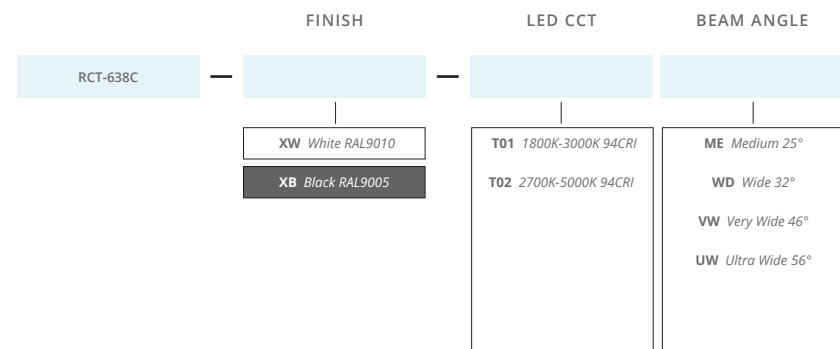
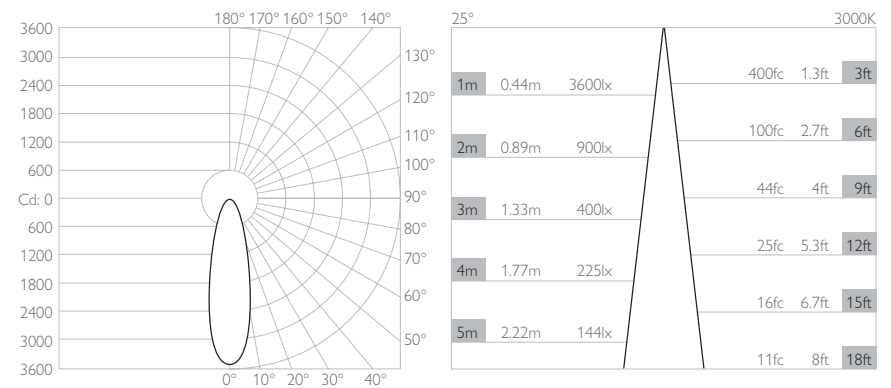
<b>NOMINAL LUMENS</b> 1050lm	<b>BEAM ANGLE</b> 25°
<b>DELIVERED LUMENS</b> 874lm	<b>CRI</b> 94 TYP
<b>COLOUR TEMPERATURE</b> 1800-3000K   2700-5000K	<b>TM-30</b> RF: 92 RG: 99
<b>ACCESSORY HOLDER</b> Integral	<b>WARRANTY</b> 5 Years
<b>ACCESSORIES</b> Louver   Lenses 32mm	<b>LIFETIME</b> L90B10 50,000hrs
<b>TM65</b> 14.47kgCO2e	<b>STANDARDS</b>
<b>TM66</b> 2.2	



All data is for 2700-5000K module at 3000K. Scaling table shows output at different CCT settings.



LIGHT ENGINE		OUTPUT SCALING	
1800-3000K	2700-5000K	Scaling Value	Delivered lm
1800K		0.57	498lm
2100K		0.70	612lm
2400K		0.77	673lm
2700K	2700K	0.85	743lm
<b>3000K</b>	<b>3000K</b>	<b>1.00</b>	<b>874lm</b>
	3500K	1.05	918lm
	4000K	1.05	918lm
	4500K	1.05	926lm
	5000K	1.06	926lm

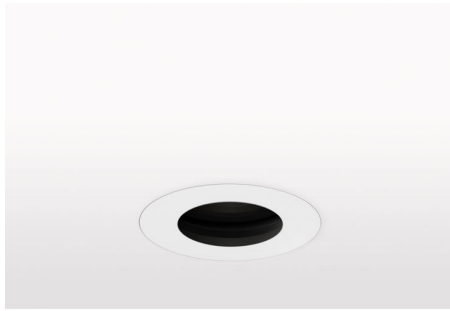


Example Code: RCT-638C-WW-T02WD

\*Premium & custom finishes are built to order, subject to an extended lead time & MOQ

# MINIMO DYNAMIC WHITE ADJUSTABLE PINHOLE TRIMLESS IP54

32° WIDE BEAM



## TECHNICAL DESCRIPTION

Minimo Dynamic White Adjustable Pinhole Trimless IP54 is a Constant Current single source pro-series downlight with the option of 2 CCT tuning ranges (1800-3000K / 2700-5000K) and comes as standard in white and black. It has four site-changeable optics for flexible beam distribution and is fully adjustable with 360° pan and 35° tilt without breaking the ceiling line. The wide beam in our 12.60W 1050lm module has a peak intensity of 2930cd. The integral accessory holder can accommodate 32mm lenses and louvers.

## MECHANICAL & ELECTRICAL

**CATEGORY** IP54

**MATERIAL** Machined AL 6063-T6

**PAN** 360°

**TILT** 35°

**LOCKABLE** N/A

**WEIGHT** 296g | 0.65lb

**WATTAGE** 12.60W

**FORWARD VOLTAGE** 18V

**SUPPLY TYPE** Constant Current Dual Channel

**DRIVER LOCATION** Remote

**DIMMING** DALI | 0-10V

## MOUNTING

**MOUNTING** Recessed

**CEILING THICKNESS** min 5mm (0.20")

**CUTOUT** ø76mm (3.00")

**MIN CEILING VOID** 20mm (0.79") clearance above

## FINISHES

**FINISHES** White RAL9010 | Black RAL9005

\*Premium & custom finishes are built & finished to order. These are subject to an extended lead time & MOQ.

## OPTICAL & STANDARDS

**NOMINAL LUMENS** 1050lm

**DELIVERED LUMENS** 902lm

**COLOUR TEMPERATURE** 1800-3000K | 2700-5000K

**ACCESSORY HOLDER** Integral

**ACCESSORIES** Louver | Lenses 32mm

**TM65** 14.47kgCO2e

**TM66** 2.2

**BEAM ANGLE** 32°

**CRI** 94 TYP

**TM-30** RF: 92 RG: 99

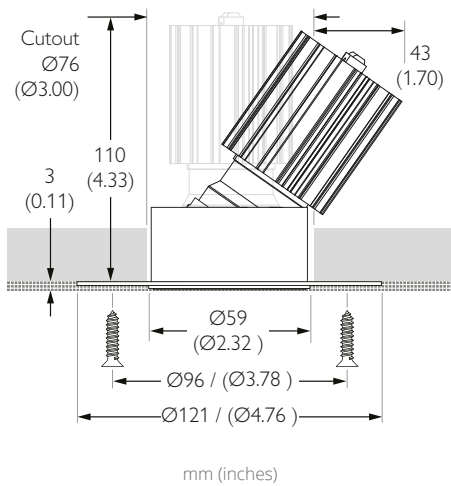
**WARRANTY** 5 Years

**LIFETIME** L90B10 50,000hrs

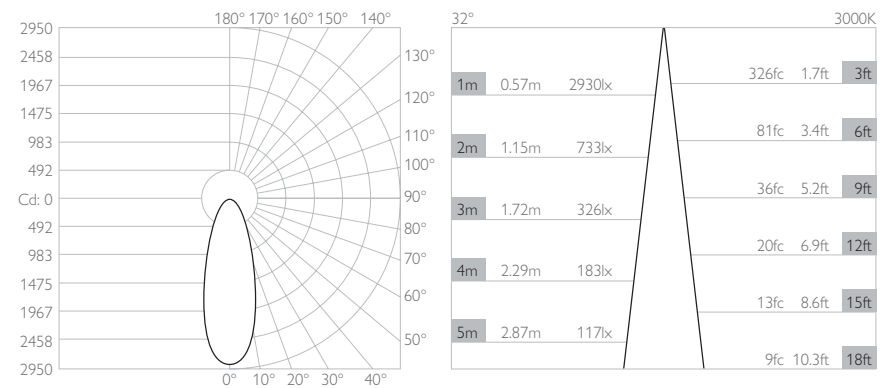
**STANDARDS**



All data is for 2700-5000K module at 3000K. Scaling table shows output at different CCT settings.



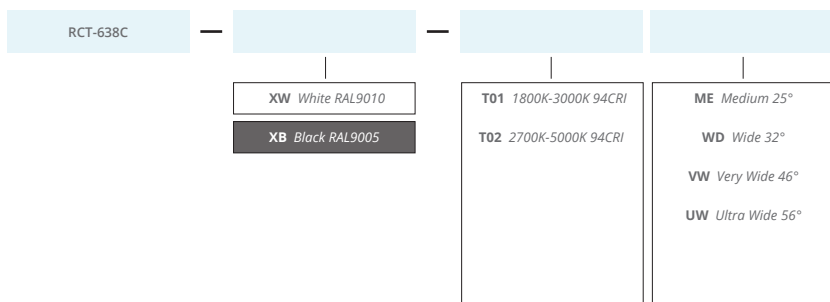
LIGHT ENGINE		OUTPUT SCALING	
1800-3000K	2700-5000K	Scaling Value	Delivered lm
1800K		0.57	514lm
2100K		0.70	631lm
2400K		0.77	695lm
2700K	2700K	0.85	767lm
<b>3000K</b>	<b>3000K</b>	<b>1.00</b>	<b>902lm</b>
	3500K	1.05	947lm
	4000K	1.05	947lm
	4500K	1.05	956lm
	5000K	1.06	956lm



### FINISH

### LED CCT

### BEAM ANGLE

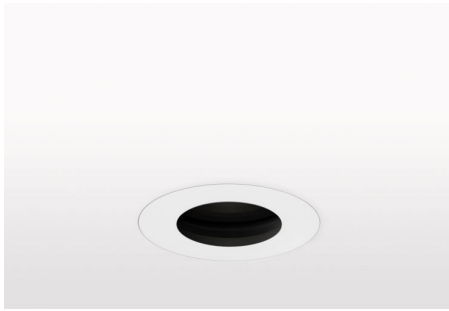


Example Code: RCT-638C-WW-T02WD

\*Premium & custom finishes are built to order, subject to an extended lead time & MOQ

# MINIMO DYNAMIC WHITE ADJUSTABLE PINHOLE TRIMLESS IP54

46° VERY WIDE BEAM



## TECHNICAL DESCRIPTION

Minimo Dynamic White Adjustable Pinhole Trimless IP54 is a Constant Current single source pro-series downlight with the option of 2 CCT tuning ranges (1800-3000K / 2700-5000K) and comes as standard in white and black. It has four site-changeable optics for flexible beam distribution and is fully adjustable with 360° pan and 35° tilt without breaking the ceiling line. The very wide beam in our 12.60W 1050lm module has a peak intensity of 1560cd. The integral accessory holder can accommodate 32mm lenses and louvers.

## MECHANICAL & ELECTRICAL

**CATEGORY** IP54

**MATERIAL** Machined AL 6063-T6

**PAN** 360°

**TILT** 35°

**LOCKABLE** N/A

**WEIGHT** 296g | 0.65lb

**WATTAGE** 12.60W

**FORWARD VOLTAGE** 18V

**SUPPLY TYPE** Constant Current Dual Channel

**DRIVER LOCATION** Remote

**DIMMING** DALI | 0-10V

## MOUNTING

**MOUNTING** Recessed

**CEILING THICKNESS** min 5mm (0.20")

**CUTOUT** ø76mm (3.00")

**MIN CEILING VOID** 20mm (0.79") clearance above

## FINISHES

**FINISHES** White RAL9010 | Black RAL9005

\*Premium & custom finishes are built & finished to order. These are subject to an extended lead time & MOQ.

## OPTICAL & STANDARDS

**NOMINAL LUMENS** 1050lm

**DELIVERED LUMENS** 892lm

**COLOUR TEMPERATURE** 1800-3000K | 2700-5000K

**ACCESSORY HOLDER** Integral

**ACCESSORIES** Louver | Lenses 32mm

**TM65** 14.47kgCO2e

**TM66** 2.2

**BEAM ANGLE** 46°

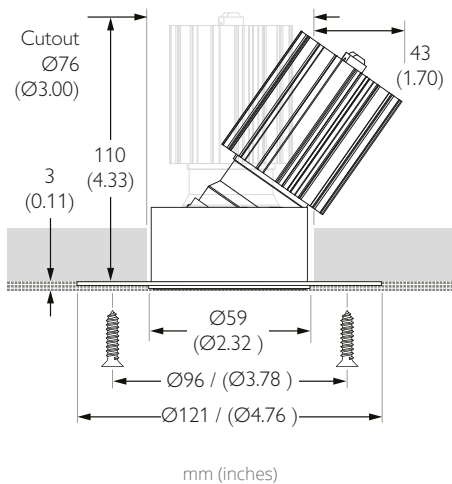
**CRI** 94 TYP

**TM-30** RF: 92 RG: 99

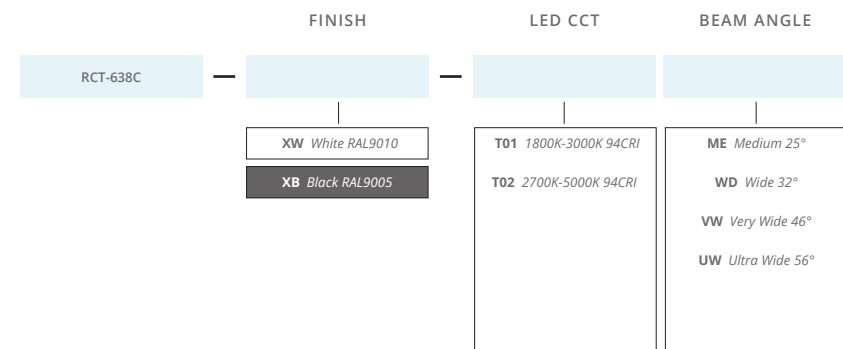
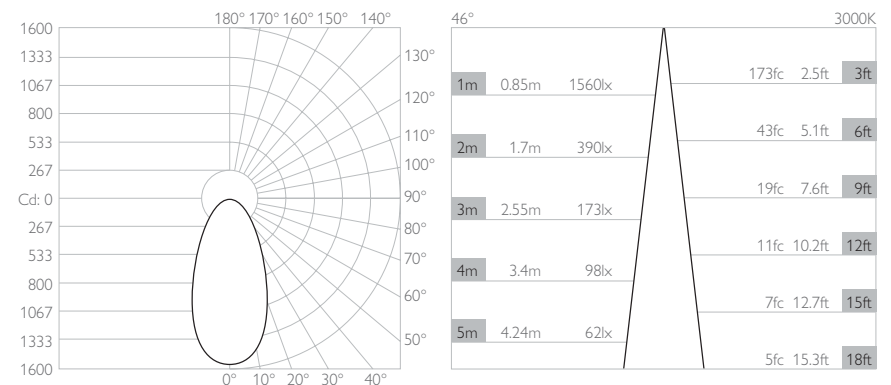
**WARRANTY** 5 Years

**LIFETIME** L90B10 50,000hrs

**STANDARDS**



LIGHT ENGINE		OUTPUT SCALING	
1800-3000K	2700-5000K	Scaling Value	Delivered lm
1800K		0.57	508lm
2100K		0.70	624lm
2400K		0.77	687lm
2700K	2700K	0.85	758lm
<b>3000K</b>	<b>3000K</b>	<b>1.00</b>	<b>892lm</b>
	3500K	1.05	937lm
	4000K	1.05	937lm
	4500K	1.05	946lm
	5000K	1.06	946lm

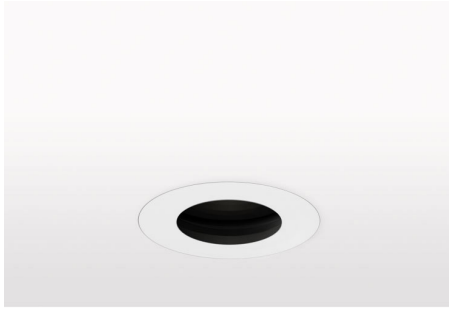


Example Code: RCT-638C-WW-T02WD

\*Premium & custom finishes are built to order, subject to an extended lead time & MOQ

# MINIMO DYNAMIC WHITE ADJUSTABLE PINHOLE TRIMLESS IP54

## 56° ULTRA WIDE BEAM



### TECHNICAL DESCRIPTION

Minimo Dynamic White Adjustable Pinhole Trimless IP54 is a Constant Current single source pro-series downlight with the option of 2 CCT tuning ranges (1800-3000K / 2700-5000K) and comes as standard in white and black. It has four site-changeable optics for flexible beam distribution and is fully adjustable with 360° pan and 35° tilt without breaking the ceiling line. The ultra wide beam in our 12.60W 1050lm module has a peak intensity of 1080cd. The integral accessory holder can accommodate 32mm lenses and louvers.

### MECHANICAL & ELECTRICAL

**CATEGORY** IP54

**MATERIAL** Machined AL 6063-T6

**PAN** 360°

**TILT** 35°

**LOCKABLE** N/A

**WEIGHT** 296g | 0.65lb

**WATTAGE** 12.60W

**FORWARD VOLTAGE** 18V

**SUPPLY TYPE** Constant Current Dual Channel

**DRIVER LOCATION** Remote

**DIMMING** DALI | 0-10V

### MOUNTING

**MOUNTING** Recessed

**CEILING THICKNESS** min 5mm (0.20")

**CUTOUT** ø76mm (3.00")

**MIN CEILING VOID** 20mm (0.79") clearance above

### FINISHES

**FINISHES** White RAL9010 | Black RAL9005

\*Premium & custom finishes are built & finished to order. These are subject to an extended lead time & MOQ.

### OPTICAL & STANDARDS

**NOMINAL LUMENS** 1050lm

**DELIVERED LUMENS** 877lm

**COLOUR TEMPERATURE** 1800-3000K | 2700-5000K

**ACCESSORY HOLDER** Integral

**ACCESSORIES** Louver | Lenses 32mm

**TM65** 14.47kgCO2e

**TM66** 2.2

**BEAM ANGLE** 56°

**CRI** 94 TYP

**TM-30** RF: 92 RG: 99

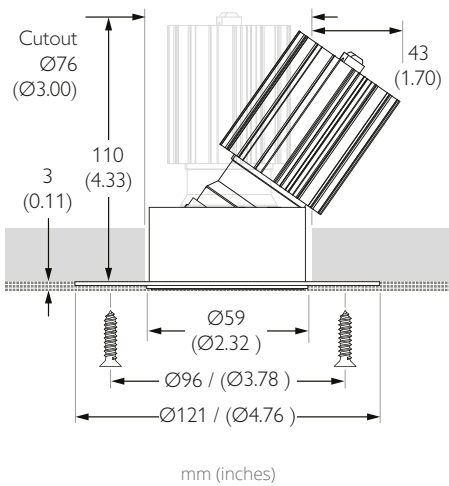
**WARRANTY** 5 Years

**LIFETIME** L90B10 50,000hrs

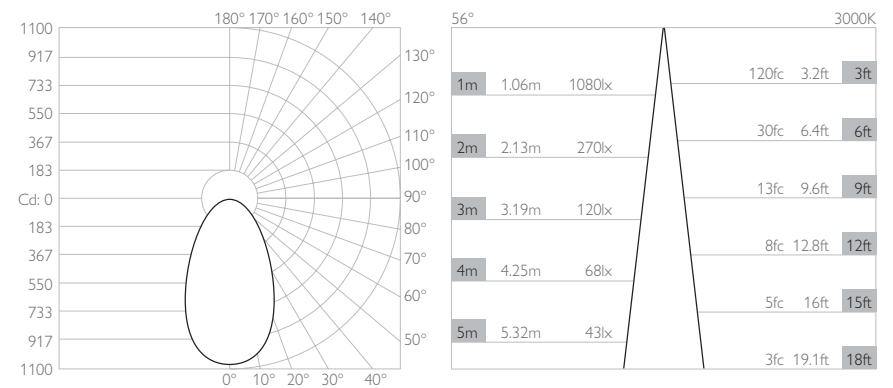
**STANDARDS**



All data is for 2700-5000K module at 3000K. Scaling table shows output at different CCT settings.



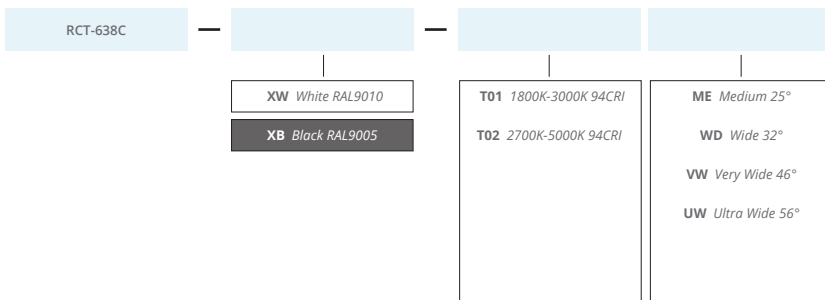
LIGHT ENGINE		OUTPUT SCALING	
1800-3000K	2700-5000K	Scaling Value	Delivered lm
1800K		0.57	500lm
2100K		0.70	614lm
2400K		0.77	675lm
2700K	2700K	0.85	745lm
<b>3000K</b>	<b>3000K</b>	<b>1.00</b>	<b>877lm</b>
	3500K	1.05	921lm
	4000K	1.05	921lm
	4500K	1.05	930lm
	5000K	1.06	930lm



### FINISH

### LED CCT

### BEAM ANGLE



Example Code: RCT-638C-WW-T02WD

\*Premium & custom finishes are built to order, subject to an extended lead time & MOQ

# MINIMO DYNAMIC WHITE

## DRIVER COMPATIBILITY

### ELDOLED | 20W | DALI DT6 OR DT8

NO. OF LIGHTS PER DRIVER 1

MIN DIM LEVEL 0.1%

VOLTAGE REGION 230V

FOR NORTH AMERICA No

WATTAGE 20W

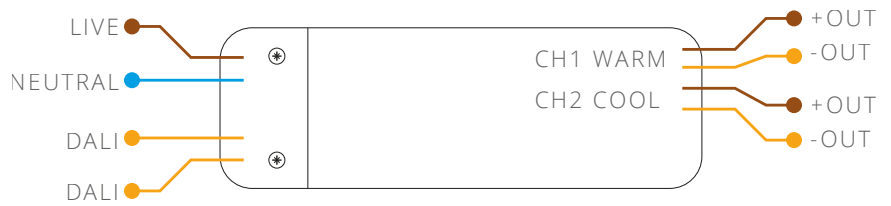
SUPPLY TYPE Constant Current

DRIVER LOCATION Remote

MANUFACTURER Eldoled

DT6 CODE 1800-3000K PSCC-63XT01DT6M-E1  
CODE 2700-5000K PSCC-63XT02DT6M-E1

DT8 CODE 1800-3000K PSCC-63XT01DT8M-E1  
CODE 2700-5000K PSCC-63XT02DT8M-E1



LENGTH 184mm (7.22") WIDTH 41mm (1.63") HEIGHT 30mm (1.18")



### ELDOLED | 30W | DALI DT6 OR DT8

NO. OF LIGHTS PER DRIVER 1

MIN DIM LEVEL 0.1%

VOLTAGE REGION 120V

FOR NORTH AMERICA Yes

WATTAGE 30W

SUPPLY TYPE Constant Current

DRIVER LOCATION Remote

MANUFACTURER Eldoled

DT6 CODE 1800-3000K USCC-63XT01DT6M-E1  
CODE 2700-5000K USCC-63XT02DT6M-E1

DT8 CODE 1800-3000K USCC-63XT01DT8M-E1  
CODE 2700-5000K USCC-63XT02DT8M-E1



LENGTH 348mm (13.7") WIDTH 107mm (4.2") HEIGHT 51mm (2.0")



### ELDOLED | 50W | 0-10V DIM 0-10V CCT

NO. OF LIGHTS PER DRIVER 1

MIN DIM LEVEL 0.1%

VOLTAGE REGION 120V

FOR NORTH AMERICA Yes

WATTAGE 50W

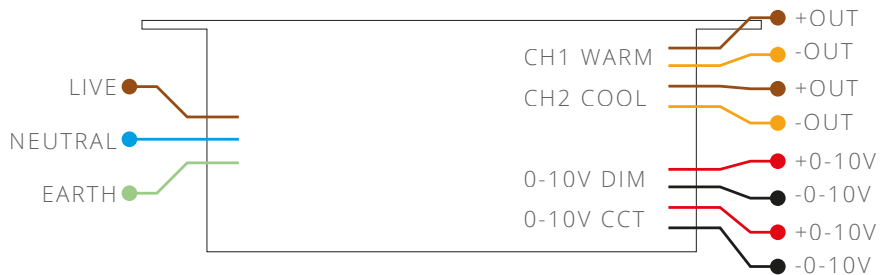
SUPPLY TYPE Constant Current

DRIVER LOCATION Remote

MANUFACTURER Eldoled

ORDER CODE 1800-3000K USCC-63XT01010M-E1

ORDER CODE 2700-5000K USCC-63XT02010M-E1



LENGTH 348mm (13.7") WIDTH 107mm (4.2") HEIGHT 51mm (2.0")

