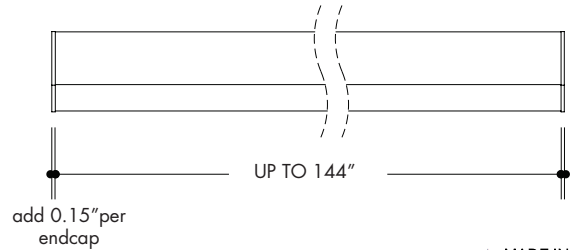
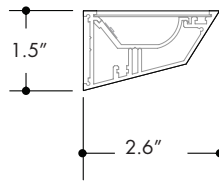


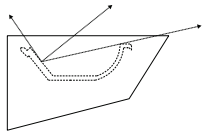
Designed with high efficacy and minimal size in mind, the mCove lighting system is available with long throw and tall throw reflectors, multiple light outputs and color temperature. The Black, and White finishes are complemented by a paint ready option. Individual fixtures connect easily together to reach long continuous run with no visible dark spots. Remote power supplies required. Approved for closet/storage space installation per NEC 410.16(A)(3) and 410.16(C)(5).



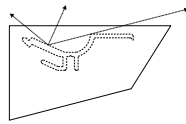
dimensions



reflector options

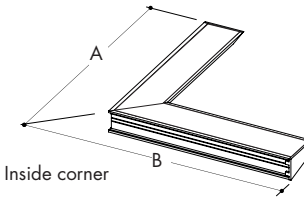


Long Throw

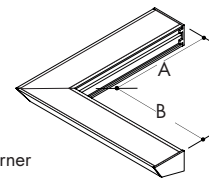


Tall Throw

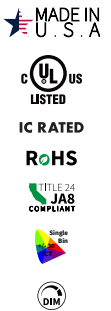
corner options



Inside corner



Outside corner



Finish options



Black powder coated



White powder coated



Paint Ready

Technical information

Output type	Output Options					CCT INFO/LUMEN MULTIPLIER		TM-30-15		
	LO (LL18)	SO (LL30)	MO (LL36)	HO (LL54)	VHO (LL72)	Color temperature	Multiplier (referenced from 3000K)	CRI	R _f	R _g
Light output 3000K	125 lm/ft	227 lm/ft	253 lm/ft	354 lm/ft	493 lm/ft	2200K	0.87	82	81	99
Average power consumption at 15'	1.6 W/ft	2.5 W/ft	3.2 W/ft	5.2 W/ft	6.5 W/ft	2400K	0.73	98	95	101
Maximum system length <i>Achievable via feed through fixture wiring.</i>	80'	48'	39'	26'	18'	2700K	0.81	98	95	102
Operating Voltage	24V DC	24V DC	24V DC	24V DC	24V DC	2900K	0.86	97	95	102
						3000K	1.00	91	90	101
						3500K	1.05	95	90	97
						4100K	1.28	93	88	96

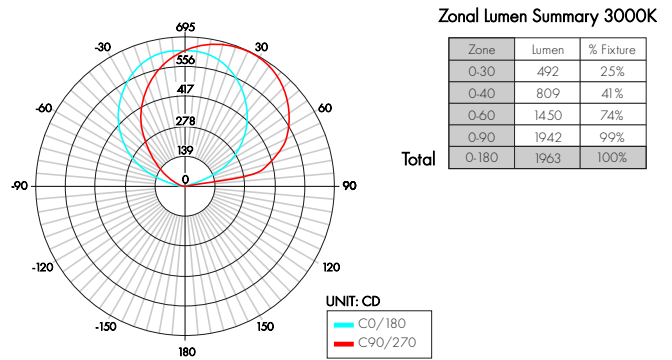
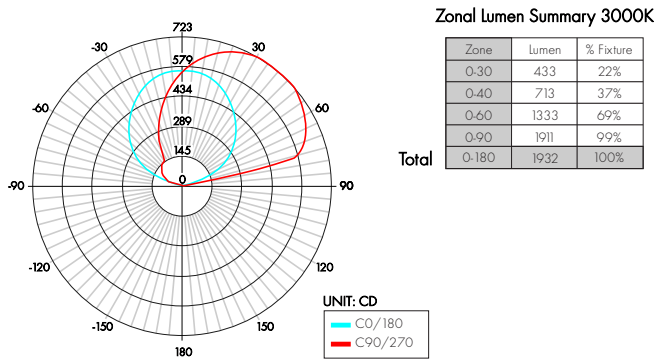
Ordering code

MODEL	LENGTH	CCT	OUTPUT	REFLECTOR	FINISH	LEFT END	RIGHT END	POWER FEED
M	12	22K	LO	LT	BK	LE	RE	PFL
M - Micro Cove	12" - 144" 4" increments	22K - 2200K 24K - 2400K 27K - 2700K 29K - 2900K 30K - 3000K 35K - 3500K 41K - 4100K	LO - Low SO - Standard MO - Medium HO - High VHO - Very High	LT - Long Throw TT - Tall Throw	BK - Black WH - White PR - Paint Ready	LE - W/ end cap LN - WO/ end cap	RE - W/ end cap RN - WO/ end cap	PFL - Power feed left PFR - Power feed right NPF - No Power feed

Photometry

M-48-30K-VHO-IT-XX-XX

M-48-30K-VHO-TT-XX-XX



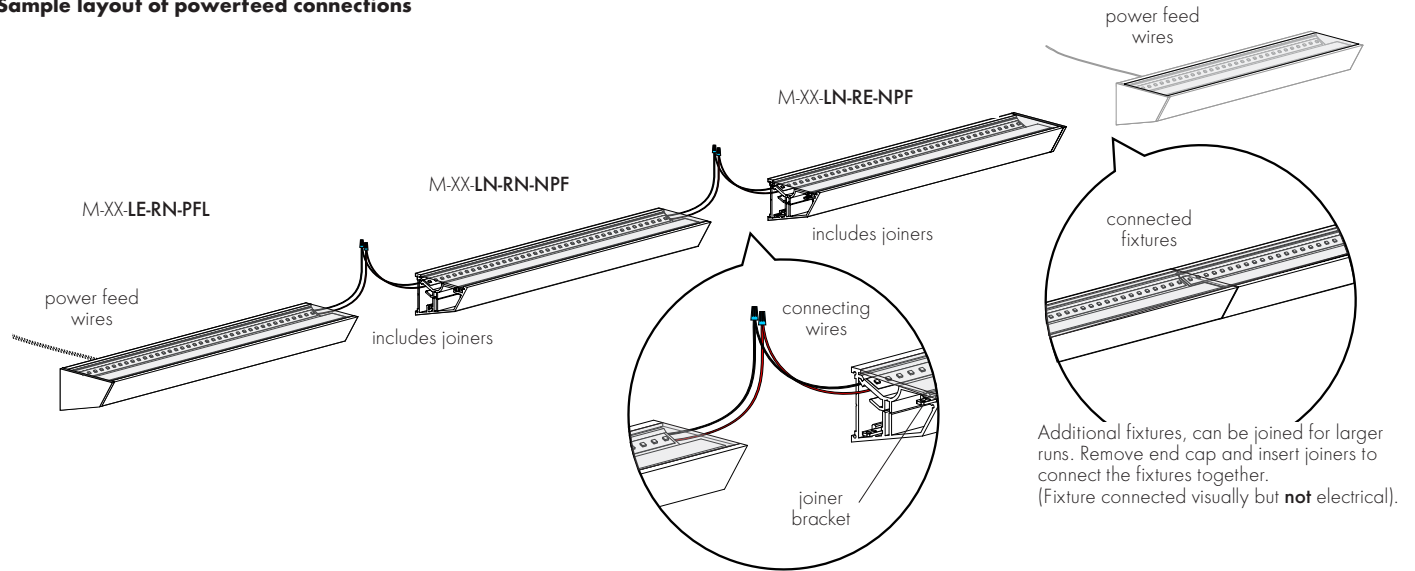
Power consumption per fixture length

Based on operation with PSD series of power supplies.

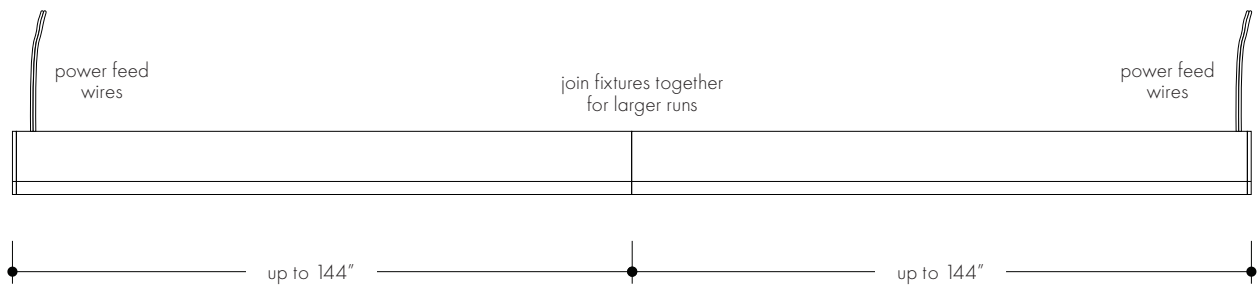
	LO (LL18)				SO (LL30)			MO (LL36)			HO (LL54)			VHO (LL72)		
	Nominal length	*Actual length	W/ft	Total wattage	*Actual length	W/ft	Total wattage	*Actual length	W/ft	Total wattage	*Actual length	W/ft	Total wattage	*Actual length	W/ft	Total wattage
	12	12-14/16"	1.65	1.65	13-5/16"	2.70	2.70	12-14/16"	3.25	3.25	12-13/16"	5.35	5.30	12-13/16"	6.75	6.75
	16	16-13/16"	1.65	2.00	15-12/16"	2.70	3.60	16-12/16"	3.25	4.00	16-12/16"	5.33	7.06	16-11/16"	6.75	9.00
	20	20-12/16"	1.65	2.80	20-11/16"	2.70	4.50	20-12/16"	3.25	5.25	20-12/16"	5.31	8.82	20-11/16"	6.75	11.25
	24	24-10/16"	1.65	3.00	25-10/16"	2.70	5.40	24-10/16"	3.25	6.50	24-11/16"	5.30	10.60	24-10/16"	6.75	13.50
	28	28-9/16"	1.65	3.90	28-1/16"	2.70	6.30	28-9/16"	3.25	7.75	28-9/16"	5.28	12.33	28-9/16"	6.75	16.75
	32	32-8/16"	1.65	4.00	33 "	2.70	7.20	32-9/16"	3.25	8.50	32-9/16"	5.26	14.06	32-8/16"	6.75	19.00
	36	36-8/16"	1.65	5.00	38 "	2.70	8.10	36-7/16"	3.25	9.75	36-8/16"	5.25	15.80	36-7/16"	6.65	19.95
	40	40-6/16"	1.64	5.50	40-6/16"	2.65	8.90	40-6/16"	3.25	10.25	40-7/16"	5.23	17.40	41-6/16"	6.65	22.20
	44	44-5/16"	1.64	6.00	45-5/16"	2.65	9.70	44-6/16"	3.20	11.75	44-6/16"	5.21	19.00	45-5/16"	6.65	24.40
	48	48-4/16"	1.63	6.60	50-4/16"	2.65	10.60	48-5/16"	3.20	12.80	48-5/16"	5.20	20.60	49-4/16"	6.55	26.20
	52	52-3/16"	1.63	7.10	52-11/16"	2.65	11.40	52-4/16"	3.20	13.30	53-9/16"	5.18	22.40	53-3/16"	6.55	28.50
	56	56-3/16"	1.63	7.70	57-11/16"	2.65	12.20	56-3/16"	3.20	14.80	57-8/16"	5.16	24.20	57-2/16"	6.55	30.50
	60	60-1/16"	1.63	8.20	60-1/16"	2.65	13.30	60-2/16"	3.20	16.00	61-7/16"	5.15	26.00	61-1/16"	6.45	32.25
	64	64 "	1.63	8.80	65 "	2.65	14.20	64-1/16"	3.20	17.00	65-6/16"	5.13	27.60	65 "	6.45	34.40
	68	67-15/16"	1.62	9.30	69-14/16"	2.65	15.10	69-15/16"	3.15	18.00	69-5/16"	5.11	29.20	68-15/16"	6.45	36.55
	72	71-14/16"	1.62	9.80	72-6/16"	2.65	15.90	73-14/16"	3.15	18.90	73-4/16"	5.10	30.80	72-14/16"	6.40	38.40
	76	75-14/16"	1.62	10.40	77-6/16"	2.60	16.70	77-13/16"	3.15	19.00	77-3/16"	5.08	32.40	76-13/16"	6.40	40.50
	80	79-12/16"	1.62	10.90	82-3/16"	2.60	17.50	81-13/16"	3.15	21.50	81-3/16"	5.06	34.00	80-12/16"	6.40	43.00
	84	83-11/16"	1.62	11.50	84-10/16"	2.60	18.20	85-11/16"	3.15	22.05	85-2/16"	5.05	35.70	84-11/16"	6.25	43.75
	88	87-10/16"	1.62	12.00	89-10/16"	2.55	19.10	89-10/16"	3.15	23.00	89 "	5.03	37.10	88-10/16"	6.25	46.00
	92	91-9/16"	1.62	12.50	92-1/16"	2.55	20.00	93-9/16"	3.10	24.00	92-15/16"	5.01	38.50	92-9/16"	6.25	48.00
	96	95-9/16"	1.62	13.1	97 "	2.55	20.80	97-8/16"	3.10	24.80	96-15/16"	5.00	40.00	97-8/16"	6.15	49.20
	100	99-7/16"	1.61	13.5	101-14/16"	2.55	21.70	101-8/16"	3.10	26.30	100-14/16"	4.98	41.60	101-7/16"	6.15	51.25
	104	103-6/16"	1.61	14.00	104-5/16"	2.55	22.50	105-6/16"	3.05	27.10	104-13/16"	4.96	43.20	105-5/16"	6.15	53.00
	108	111-4/16"	1.60	14.50	109-5/16"	2.50	23.40	109-6/16"	3.05	28.00	108-12/16"	4.95	44.80	109-5/16"	6.00	54.00
	112	115-4/16"	1.60	15.00	114-3/16"	2.50	24.10	113-5/16"	3.05	28.50	112-11/16"	4.93	46.20	113-4/16"	6.00	56.00
	116	119-2/16"	1.60	15.50	116-11/16"	2.50	24.80	117-3/16"	3.05	30.00	116-10/16"	4.91	47.60	117-3/16"	6.00	58.00
	120	123-1/16"	1.59	16.50	121-9/16"	2.50	25.50	121-3/16"	3.00	30.50	120-10/16"	4.90	48.90	121-2/16"	5.90	59.00
	124	127 "	1.59	17.00	124 "	2.45	26.30	125-2/16"	3.00	31.50	124-9/16"	4.89	50.40	125-1/16"	5.90	60.60
	128	130-15/16"	1.59	17.50	129 "	2.45	27.30	129 "	3.00	32.50	128-8/16"	4.88	51.80	129 "	5.90	62.20
	132	134-15/16"	1.59	18.10	133-15/16"	2.45	28.10	133 "	2.95	33.50	132-7/16"	4.86	53.30	132-15/16"	5.80	63.80
	136	138-13/16"	1.59	18.60	136-7/16"	2.45	28.90	136-15/16"	2.95	34.30	136-6/16"	4.84	54.70	136-14/16"	5.80	65.30
	140	142-12/16"	1.59	19.10	141-5/16"	2.40	29.80	140-14/16"	2.95	35.20	140-5/16"	4.82	56.10	140-13/16"	5.80	66.80
	144	146-12/16"	1.58	19.64	143-13/16"	2.40	30.60	144-13/16"	2.90	36.00	145-9/16"	4.80	57.40	144-12/16"	5.70	68.40

Additional information

Sample layout of powerfeed connections

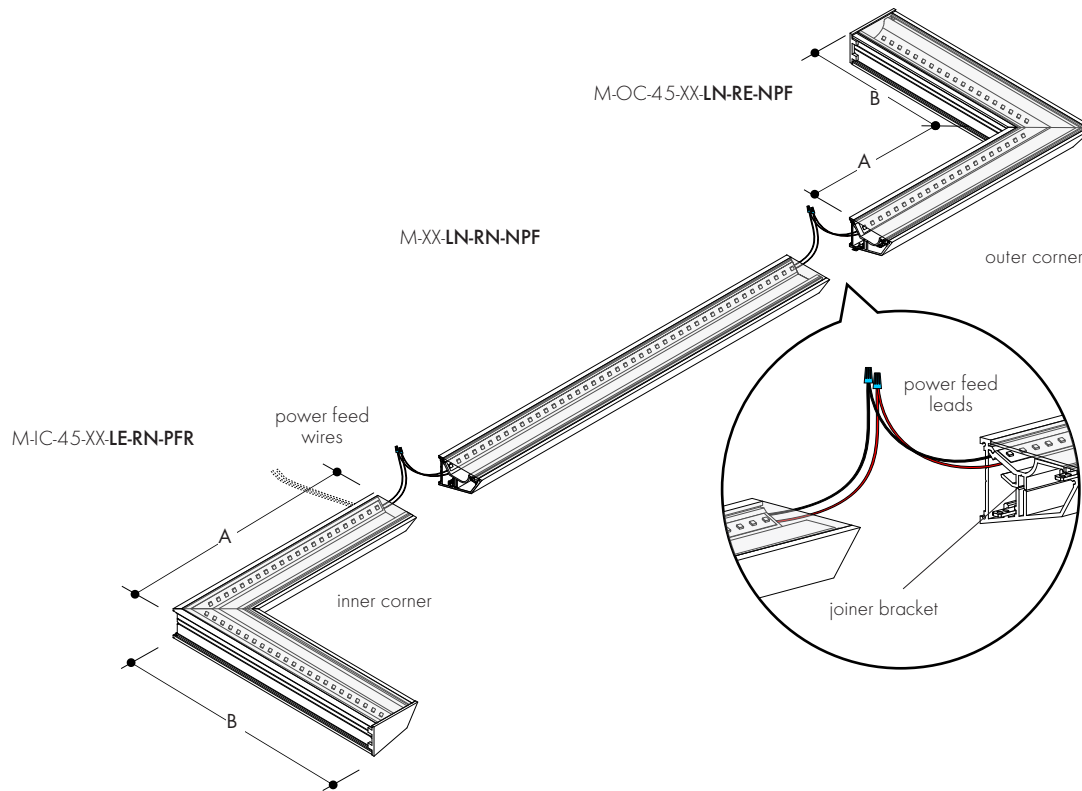


join fixtures together



mCove corner

Sample layout of mCove corners with powerfeed connections



Ordering code

MODEL	CORNER TYPE	ANGLE	CCT	OUTPUT	REFLECTOR	FINISH	LEFT END	RIGHT END	POWER FEED
M	IC	90	22K	LO	LT	BK	LE	RE	PFL
M - Micro Cove	IC - Inside corner OC - Outside corner	90 - 90° C - Custom°	22K - 2200K 24K - 2400K 27K - 2700K 29K - 2900K 30K - 3000K 35K - 3500K 41K - 4100K	LO - Low SO - Standard MO - Medium HO - High VHO - Very High	LT - Long Throw TT - Tall Throw	BK - Black WH - White PR - Paint Ready	LE - W/ end cap LN - WO/ end cap	RE - W/ end cap RN - WO/ end cap	PFL - Power feed left PFR - Power feed right NPF - No Power feed

Power consumption per Corner type

Based on operation with PSD series of power supplies.

Inside Corner Type (output)	Actual length (AxB)	Total wattage	Outside Corner Type (output)	Actual length (AxB)	Total wattage
LO (LL18)	12-9/16" x 12-9/16"	3.00	LO (LL18)	11-13/16" x 11-13/16"	3.00
SO (LL30)	12-3/16" x 12-3/16"	5.40	SO (LL30)	10-7/16" x 10-7/16"	5.40
MO (LL36)	12-3/16" x 12-3/16"	6.50	MO (LL36)	10" x 10"	6.50
HO (LL54)	12-12/16" x 12-12/16"	11.40	HO (LL54)	11-7/16" x 11-7/16"	12.30
VHO (LL72)	12-3/16" x 12-3/16"	13.50	VHO (LL72)	10" x 10"	13.50

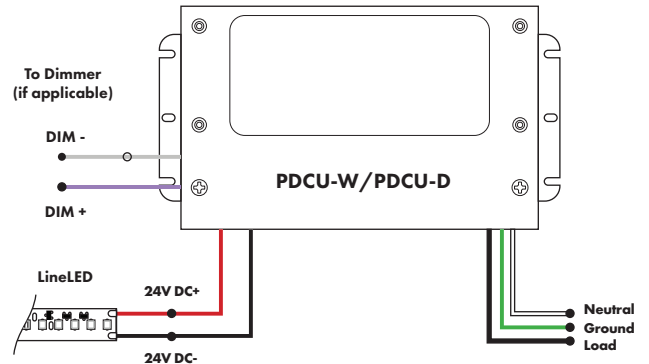
Power Supply

See fixture and power supply instructions & spec sheet for wiring information. Dimming possible in select models - view Luminii website for list of compatible dimmers.

Universal Power Supply

MODEL	POWER	OUTPUT
PDCU-W	96	24
PDCU-W - IP66 Wet Series	96 - 96 W 3X96 - 3X96 W	24 - 24 VDC
PDCU-D - IP20 Dry Series	30 - 30 W 60 - 60 W 96 - 96 W 3X96 - 3X96 W	

0-10V - 1% dimming
MLV/ELV/TRIAC - 1% dimming, consult dimming compatibility chart
Compatibility:
View a complete list of compatible dimmers on product page ([Link](#))

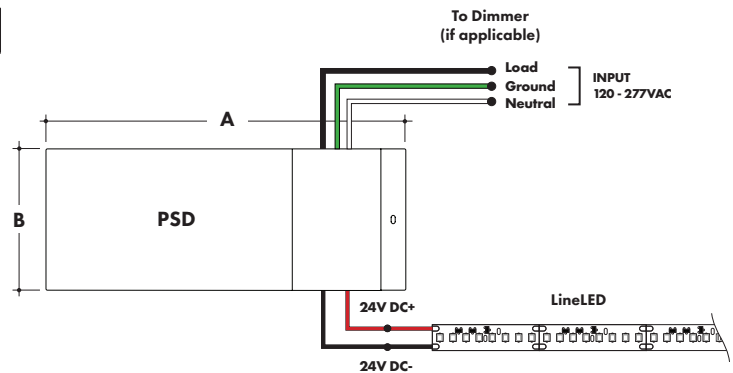


MODELS	PDCU-W 96W	PDCU-W 3X96W	PDCU-D 30W	PDCU-D 60W	PDCU-D 96W	PDCU-D 3X96W
A Length	8.66"	11.85"	6.10"	7.93"	8.25"	9.57"
B Width	3.73"	4.32"	3.35"	3.35"	4.10"	5.94"
Depth	1.61"	1.81"	1.33"	1.32"	1.56"	1.13"

Magnetic Low Voltage Dimming Power Supplies

MODEL	POWER	OUTPUT	INPUT
PSD	48	24	
PSD - PSD Series dims down to 0%	48 - 48 Watt 96 - 96 Watt 288 - 288 Watt (3 x 96Watt)	24 - 24 VDC	Blank - 120 V 240 - 240 V 277 - 277 V

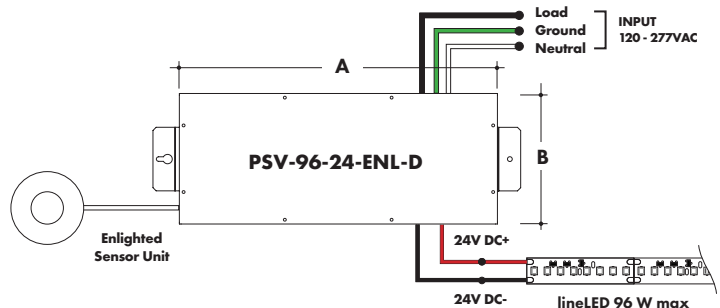
MODELS	48W	96W	288W
A Length	11.25"	11.25"	13.06"
B Width	3.42"	3.42"	8.42"
Depth	3.42"	3.27"	4.47"



Enlighted Enabled Dimming Power Supplies:

MODEL	POWER	OUTPUT	DIMMING	LOCATION
PSV	96	24	ENL	D
PSV - PSV Series	96 - 96 Watt	24 - 24 VDC	ENL - Enlighted Dimming	D - Damp

MODELS	96W
A Length	14.40"
B Width	5.20"
Depth	2.60"



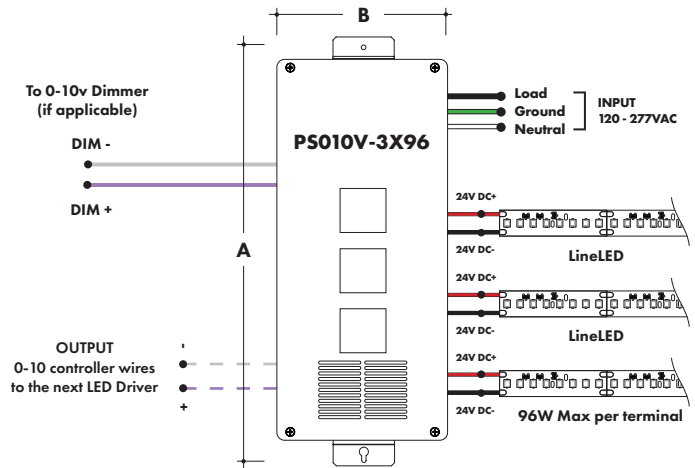
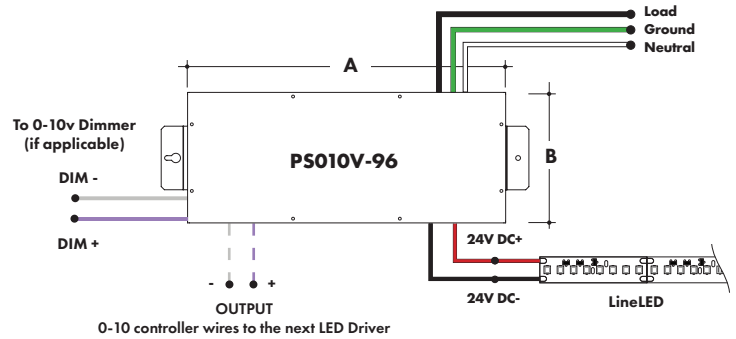
Power Supply

See fixture and power supply instructions & spec sheet for wiring information. Dimming possible in select models - view Luminii website for list of compatible dimmers.

0-10V Dimming Power Supplies

MODEL	POWER	OUTPUT	DIMMING
PS010V	96	24	LIN
PS010V - 0-10V Power Supply dims down to 0%	96 - 96 Watt 3X96 - 3 X 96 Watt	24 - 24 VDC	LIN - Linear LOG - Logarithmic

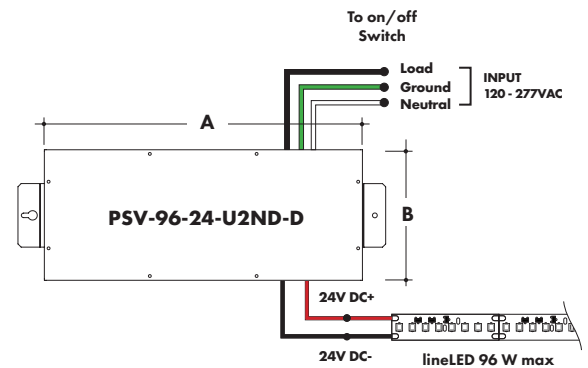
MODELS	96W	3X96
A Length	14.40"	15.75"
B Width	5.20"	6.62"
Depth	2.60"	4.95"



Non-Dimming Power Supply

MODEL	POWER	OUTPUT	DIMMING	LOCATION
PSV	96	24	U2ND	D
PSV - PSV Series	96 - 96 Watt	24 - 24 VDC	U2ND - Non Dimming	D - Damp

MODELS	96W
A Length	14.40"
B Width	5.20"
Depth	2.60"



Power Supply

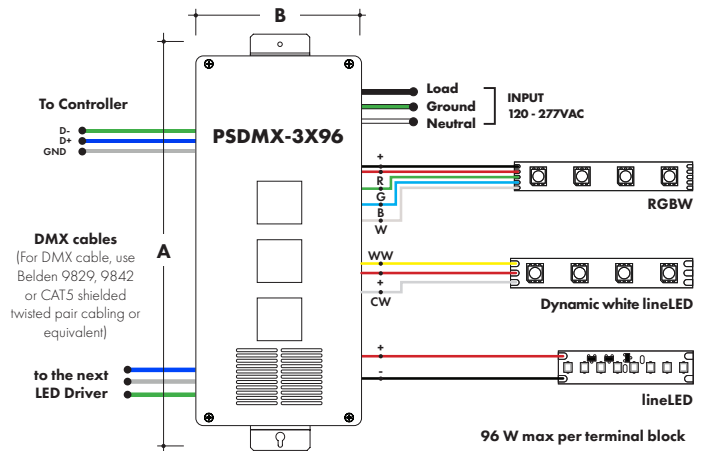
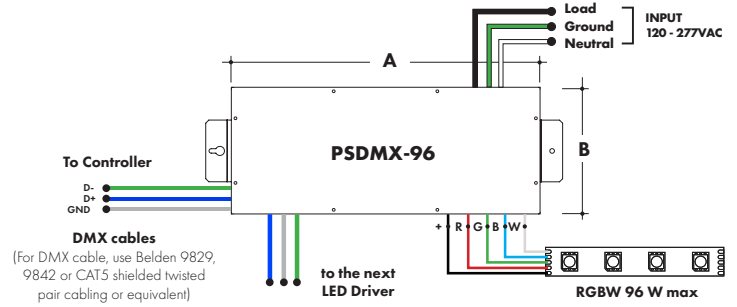
See fixture and power supply instructions & spec sheet for wiring information. Dimming possible in select models - view luminii website for list of compatible dimmers.

DMX Dimming Power Supplies

MODEL	POWER	OUTPUT
PSDMX	96	24
PSDMX - DMX Power Supply	96 - 96 Watt 3X96 - 3 X 96 Watt	24 - 24 VDC

Features eldoLED's LINEARdrive configurable dimmable drivers

MODELS	96W	3X96
A Length	14.40"	15.75"
B Width	5.20"	6.62"
Depth	2.60"	4.95"

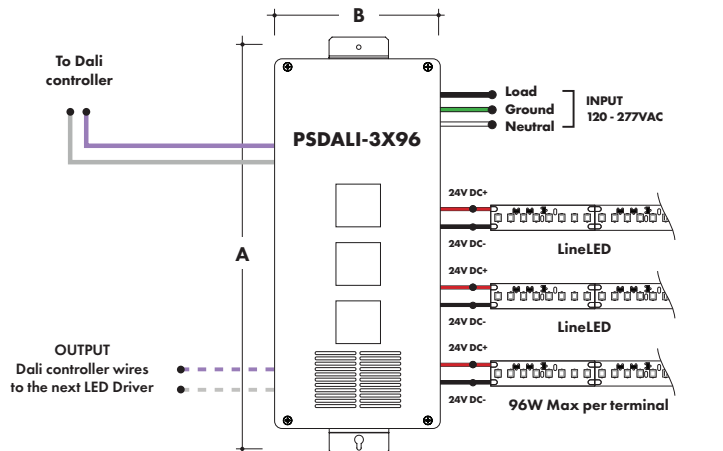
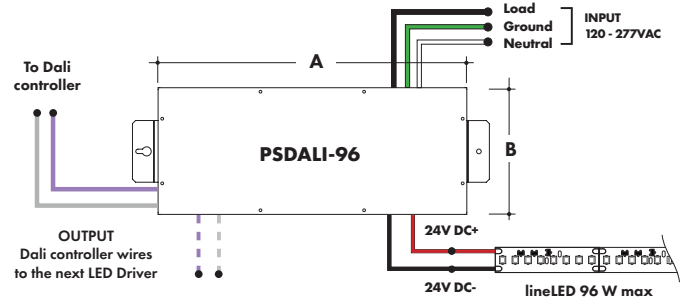


DALI Dimming Power Supplies

MODEL	POWER	OUTPUT
PSDALI	96	24
PSDALI - DALI Power Supply	96 - 96 Watt 3X96 - 3 X 96 Watt	24 - 24 VDC dims down to 0%

Features eldoLED's LINEARdrive configurable dimmable drivers

MODELS	96W	3X96
A Length	14.40"	15.75"
B Width	5.20"	6.62"
Depth	2.60"	4.95"



Power Supply

See fixture and power supply instructions & spec sheet for wiring information. Dimming possible in select models - view Luminii website for list of compatible dimmers.



Luminii is a Lutron OEM Advantage Partner

MODEL

LTEA4U1UKL-CV240

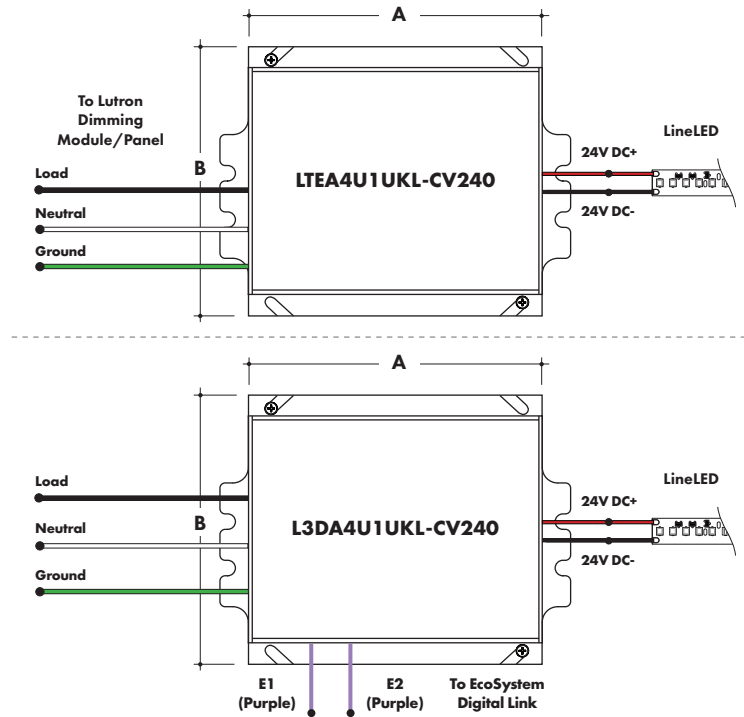
Lutron - HiLume™ 1% 2-wire LED Driver
(120V forward phase only)

MODEL

L3DA4U1UKL-CV240

HiLume™ 1% EcoSystem Voltage LED driver

MODELS	LTEA4U1UKL-CV240	L3DA4U1UKL-CV240
A Length	4.89"	4.98"
B Width	4.00"	4.00"
Depth	2.62"	2.62"



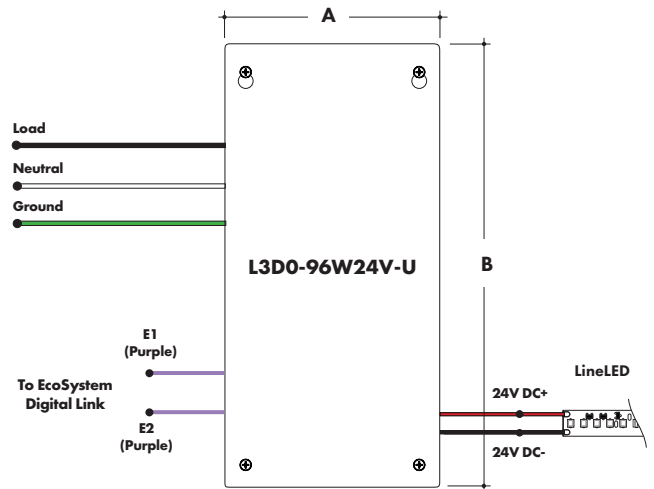
Luminii is a Lutron OEM Advantage Partner

MODEL

L3D0-96W24V-U

HiLume™ 0.1% EcoSystem Voltage LED Driver with Soft-On, Fade-to-Black™

MODELS	L3D0
A Length	10.50"
B Width	5.50"
Depth	2.00"



Power Supply

See fixture and power supply instructions & spec sheet for wiring information. Dimming possible in select models - view Luminii website for list of compatible dimmers.

In ground, Electronic Low Voltage Dimming Power Supplies

MODEL	POWER	OUTPUT	INPUT
IG - CVE	96X2	24	Blank - 120 V 277 - 240/277 V
IG - In ground CVE Series	96X2 - 2 X 96 Watt	24 - 24 VDC	
CVE - ELV Dimming DALI - eldoLED Dali dimming Both dims down to 0.1%			

MODELS	Dual Circuit
A Length	8.40"
B Width	8.30"
Depth	8.10"

