

**Features**

The mCAL Channel is a linear aluminum extrusion that has been designed to fit surface mounted cove applications. Multiple reflector options allow for great flexibility and adaptability for any application. Also includes clear cover to avoid any debris from entering the extrusion. Extrusion is field cuttable. Substantial aluminum mass in profile provides excellent heat sink for high power LEDs.

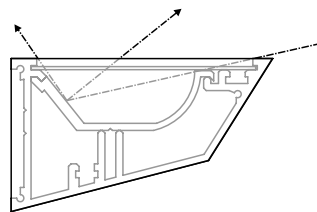
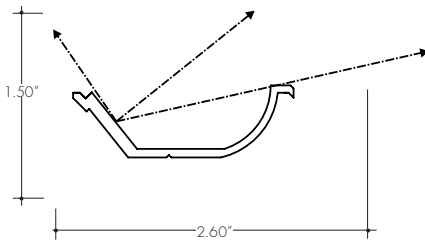
**Finish**

Paint ready

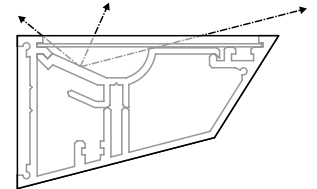
**Diffuser Lens**

Polycarbonate, slide-in-place, UV resistant

**Product Dimensions**



with Long Reflector,  
Clear Cover & End Cap



with Tall Reflector,  
Clear Cover & End Cap

	<b>Lens Options</b>
<b>Actual Length</b>	-72" -144"
<b>Available Lenses</b>	Clear

**Ordering Code**

MODEL	LENGTH	REFLECTOR	LENS	FINISH
<b>MCAL</b>	<b>72</b>	<b>LT</b>	<b>C</b>	<b>PR</b>

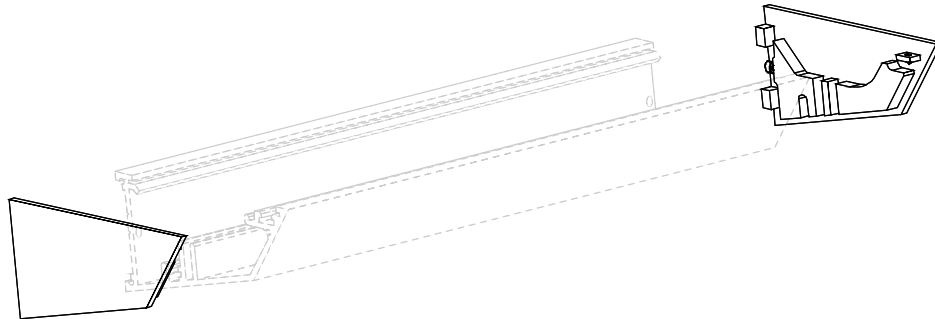
MCAL - MCAL Aluminum Extrusion      72 - 72"  
144 - 144"<sup>1</sup>      LT - Long Throw      C - Clear      PR - Paint Ready  
TT - Tall Throw

1 - For Channels and lenses over 90", incremental shipping charges will apply.

### Accessories

All accessories sold separately.

#### mCAL Channel End Caps



ORDERING CODE

**EC-MCAL-LR-PR**

EC-MCAL-LR-PR - End Caps - Includes a left and right end cap

#### mCAL Channel Straight Joiner

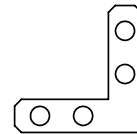


ORDERING CODE

**MCAL-SJ**

MCAL-SJ - Straight Joiner, 1 set of 2 needed per connection

#### mCAL Channel 90° Joiner

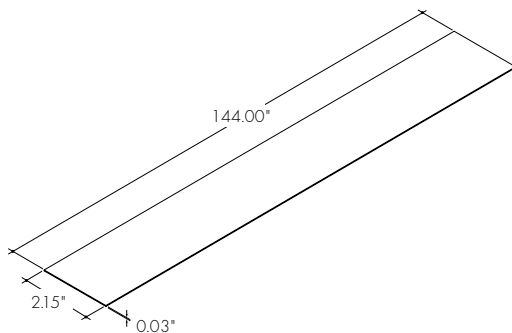


ORDERING CODE

**MCAL-90J**

MCAL-90J - 90° Joiner, 1 set of 2 needed per connection

#### mCAL Channel Clear Lens



ORDERING CODE

**MCAL-C-144**

MCAL-C-144 - Clear Lens, 144"