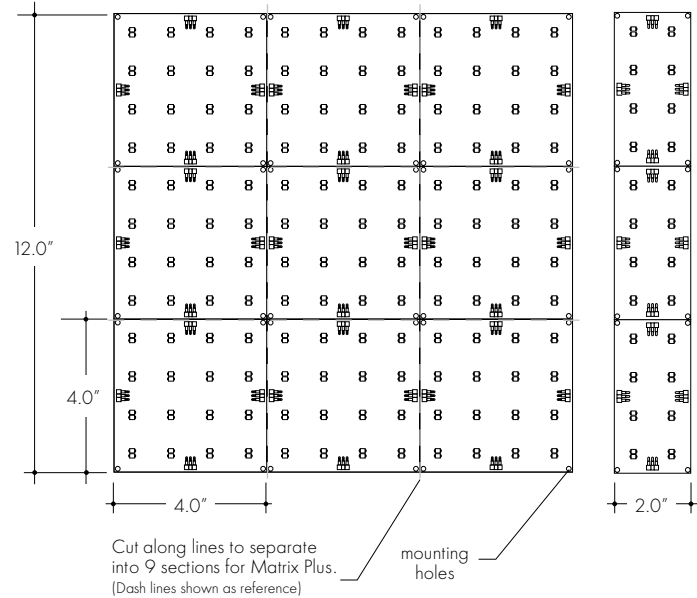


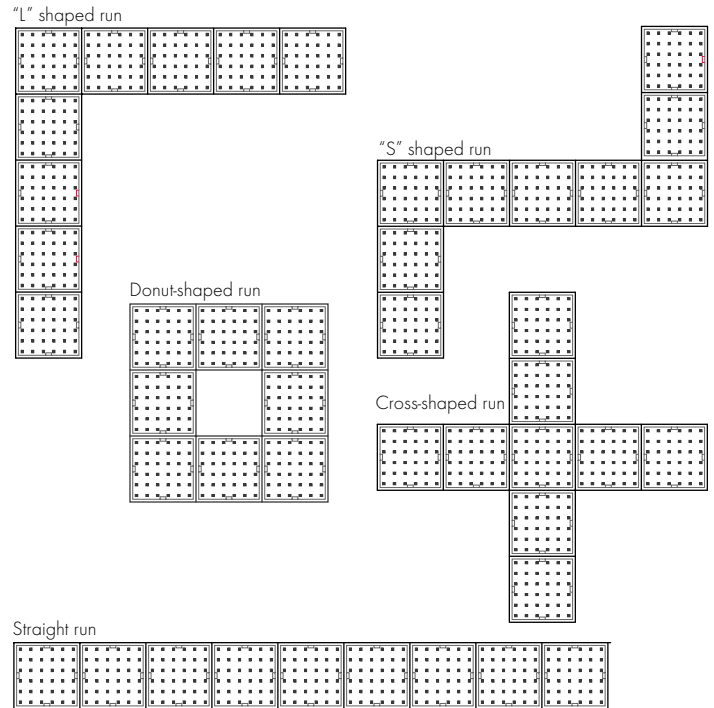
The Matrix Plus & Matrix Mini Plus DW is a small profile, modular, energy efficient, and flexible LED backlighting system that provides even backlight illumination with minimal cavity depth. The unique design allows it to be mounted directly on a surface. The Matrix Plus & Matrix Mini Plus DW is equipped with 3M™ adhesive transfer tape (9472LE), and secured in place with screws. The modular design allows for simple field installation in many different configurations. 5 year warranty.



Technical information

System Configurations

MODELS	Matrix Plus DW	Matrix Mini Plus DW
LEDs/unit	288	48
Power consumption	4.6 W(w/ both colors full on) 2.3 W average when using PS010WD power supply	0.8 W(w/ both colors full on) 0.4 W average when using PS010WD power supply
Lumens @ 22K	228 lm	39 lm
Lumens/W @ 22K	98 lm/W	94 lm/W
Lumens @ 60K	310 lm	52 lm
Lumens/W @ 60K	133 lm/W	127 lm/W
Dimensions	12.00" W 12.00" L	2.00" W 12.00" L



Ordering code

MODEL OUTPUT COLOR COLOR TEMPERATURE

MP - **SO** - **DW** - **22K-60K**

MP - Matrix Plus
MMP - Matrix Mini Plus SO - Standard DW - Dynamic White 22K-60K - 2200K - 6000K

Connectors & Accessories

Male adaptor

A

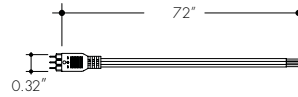


part number **MMP3**
 qty 5 included with Matrix
 order or qty 3 for Matrix
 Mini- extra adaptors can
 be ordered separately if
 necessary

3-pin connectors

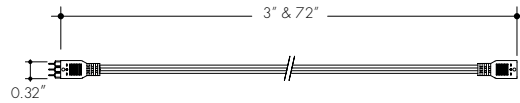
B

72" power feed
 Part # PF-FC-72-DW-WH (white)



C

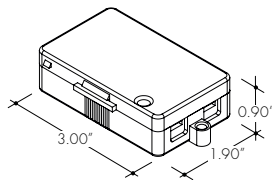
3" & 72" flexible connector
 Part # FC-DW-3-VH (white)
 Part # FC-DW-72-WH (white)



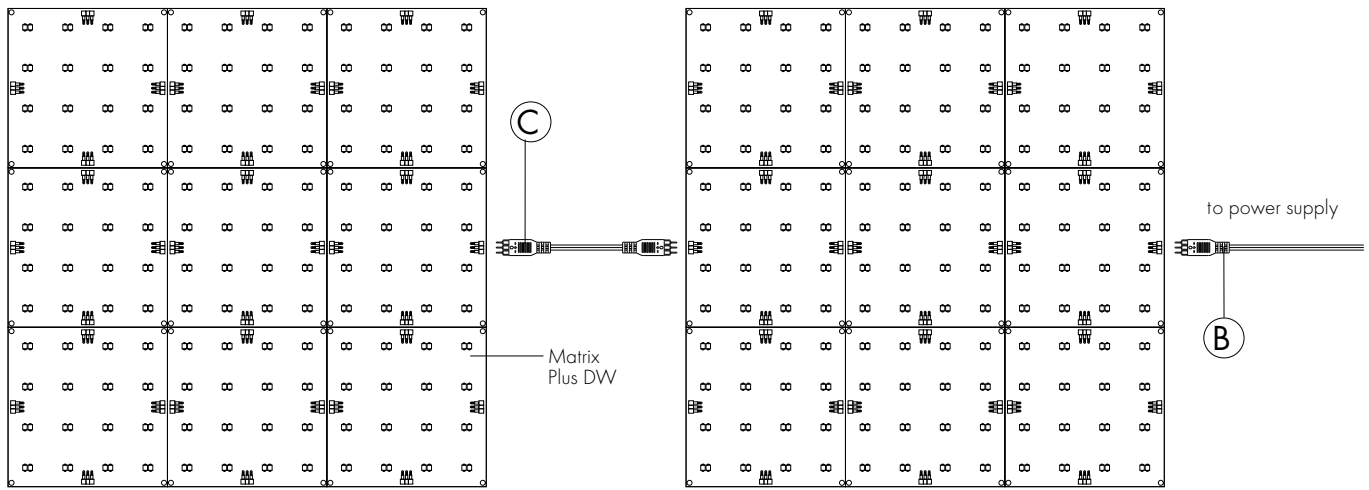
Accessories

Splice Box:
 Low voltage, 4 terminal splice box, black.

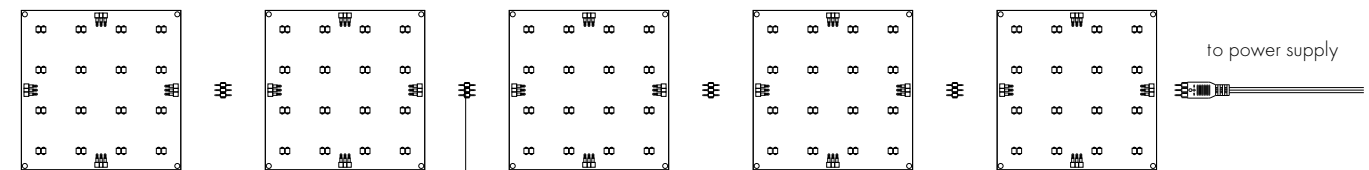
Part # LVSP-4T-BK



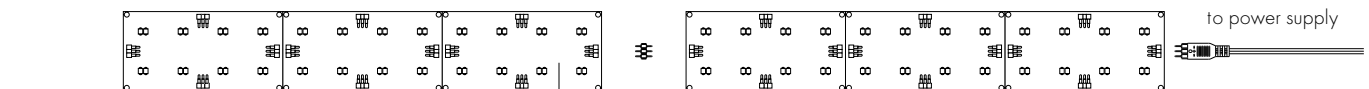
Sample layout with connectors



Up to 20 Matrix Plus DW when using a 96W power supply.



Up to 180 Matrix Plus DW sections when using a 96W power supply.



Up to 65 Matrix Plus DW sections when using a 96W power supply.

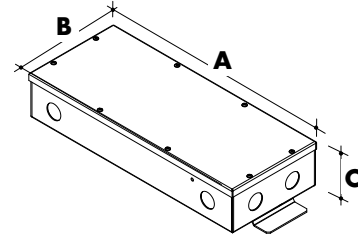
Mini Matrix Plus DW

Power supply

See fixture and power supply instructions & spec sheet for wiring information. Dimming possible in select models - view Luminii website for list of compatible dimmers.

Non-Dimming Power Supply

MODEL	POWER	OUTPUT	DIMMING	LOCATION
PSV	96	24	U2ND	D
PSV - PSV Series	96 - 96 Watt	24 - 24 VDC	U2ND - Non Dimming	D - Dry Location



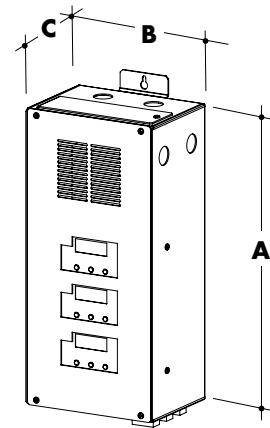
MODELS	96W
A Length	14.40"
B Width	5.20"
C Depth	2.60"

DMX:

MODEL	POWER	OUTPUT
PSDMX	96	24
PSDMX - DMX Power Supply	96 - 96 Watt 3X96 - 3 X 96Watt	24 - 24 VDC

Features eldoLED's LINEARdrive configurable dimmable drivers

MODELS	96 W	3 X 96 W
A Length	14.40"	15.75"
B Width	5.20"	6.60"
C Depth	2.60"	4.80"

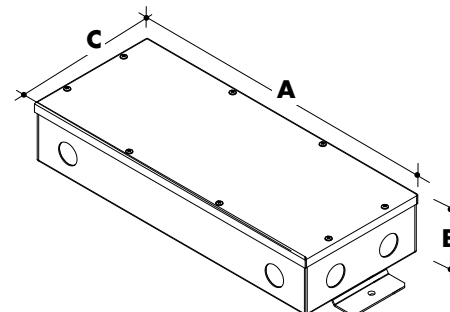


Warm Dimming via 0-10V:

MODEL	POWER	OUTPUT
PS010WD	96	24
PS010WD - 0-10 Warm dim LED Power Supply	96 - 96 Watt	24 - 24 VDC

Requires a 0-10V controller to work properly

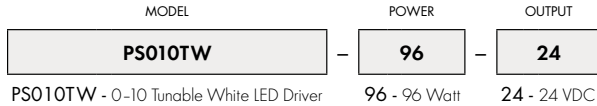
MODELS	PS010
A Length	14.40"
B Width	2.60"
C Depth	5.20"



Power supply

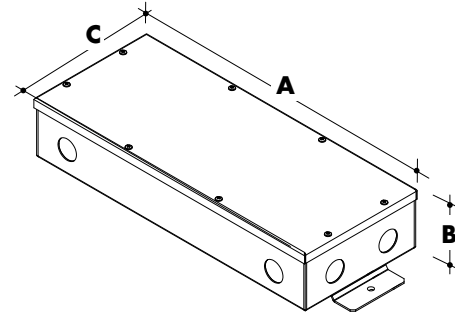
See fixture and power supply instructions & spec sheet for wiring information. Dimming possible in select models - view Luminii website for list of compatible dimmers.

Tunable White via 0-10V



Requires two 0-10V controllers to work properly

MODELS	PS010TW
A Length	14.40"
B Width	2.60"
C Depth	5.20"



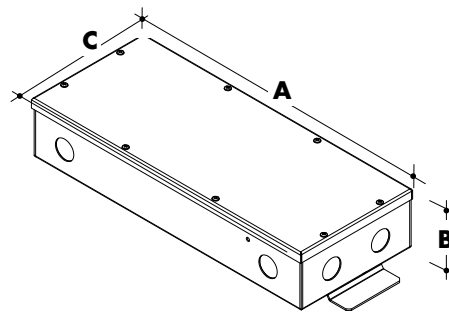
Customizable Dim to Warm or Variable White via 0 - 10V



- WW - Standard One Channel - Dim To Warm Curve
- W2C - Standard Two Channel - Dim 1: Intensity; Dim 2: CCT
- W21 - Standard Two Channel - Dim 1: Warm Channel Intensity; Dim 2: Cool Channel Intensity
- W1X - Custom One Channel - Dim To Warm Curve
- W2X - Custom two Channel - Dim 1: Intensity; Dim 2: CCT

Requires a 0-10V controller to work properly

MODELS	PS010V
A Length	14.40"
B Width	2.60"
C Depth	5.20"



DMX decoder

DMX signal to RGBW decoder (required to operate DMX controller, decoder not needed if using PSDMX power supply)



Translates controller DMX512 programs for RGB and white LED strips.

Unique DMX address for the decoder can be set easily and displayed by the numeric display on the case. Changing and resetting the DMX address requires manual input.

Use power repeater to expand output.

Operating voltage
12-36 VDC

Power capacity
up to 96W at 24V

Operating temperature range
from -4 °F to +122 °F in case

ORDERING CODE

Model
DDMX-RGBW
DDMX-RGB - DMX decoder

RGBW-RC-R

Dynamic white receiver



The DDW receiver is easily paired with controller by the click of a button. Receiver can be reset to factory settings at any time.

Each receiver can store one static DW color, one color sequence, and one brightness setting for the white LED strip. Receivers assigned to the same scene within the same zone will have the same LED static color and color sequence.

Operating voltage
12-36 VDC

Power capacity
up to 96W at 24V

Operating temperature range
from -4 °F to +122 °F in case

ORDERING CODE

Model
RGBW-RC-R
RGBW-RC-R: Dynamic white receiver

Controllers

DDW-MC: Dynamic White controller



Dynamic white wall-mount controller controls lighting fixtures, wireless control of DW lighting fixture. Fits in any standard US switch box. Includes all the outputs in the back of the controller.

Control brightness levels with a single touch, personalize and memorize 3 different scenes, and even create 3 variations of white.

Operating voltage
3V DC battery

Features

- Switch and dimming control function, control range > 20M.
- Switch on/off of lighting slowly, without any flash, meet the comfort of human eyes.
- Switch from color dimming to adjust color temperature.
- Enable to control 1 zones separately, each zone can be set endless receivers, each receiver maximally be controlled by 8 different remotes.
- Enable be dimmed, switch ON/OFF and adjust color temperature by push button after connecting receivers.

Color parameters

- Brightness
- Saturation
- Fading

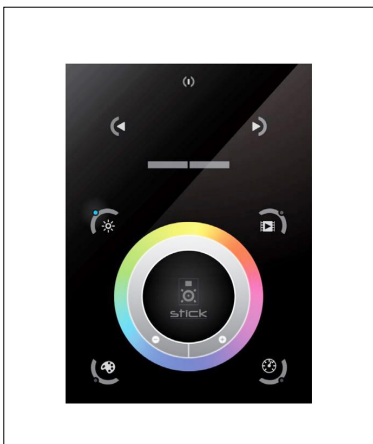
ORDERING CODE

Model

DDW-MC

DDW-MC - Dynamic white controller

TSDMX-E: Touchscreen DMX controller



Programmable advanced DMX512 lighting controller featuring a touch-screen interface. Operates as stand alone controller or integrated with most architectural lighting control systems. Can controller endless DMX512 enabled devices.

Mounts to standard single or dual gang wall box with the included power supply inside the junction box. Terminal block design for power and data connections.

Power supply
7 VDC (included)

Programmability
PC, Mac, Tablet, Smartphone

Output signal
DMX512 (1024 channels)

Color parameters

- Brightness
- Saturation
- Speed of color changing sequence
- Fading / dimming / brightness

Key Features

- Sleek glass design which sits 0.43" from the wall
- Graphical color display to show selected environment
- Color/dimmer/speed palette
- Color temperature mixing
- Touch sensitive buttons. No mechanical parts
- Touch sensitive wheel allows for accurate color selection
- Multi-zone microSD memory
- Multi-room control with 500 scenes, 10 zones
- 1024 DMX channels. Control 340 RGB fixtures
- USB & Ethernet connectivity

ORDERING CODE

Model

TSDMX-E

TSDMX-E - Touchscreen DMX controller