

LL91STP LineLED series is a small form factor high performance constant voltage LED strip. Designed to deliver best in class efficacy while operating at low temperature, LL91STP LineLED delivers constant light output, outstanding color consistency and dimming performance without the need of an additional heat sink.

Available in 3 different outputs with a tight LED pitch of 0.25", LL91STP LineLED offers a clean dot free illumination in most Luminii profiles when paired with our frosted lenses.

Mounting
 LLED strip is equipped with 3M™ adhesive transfer tape (9472LE).

Applications
 Indoor only - above and below cabinets, cove lighting, counter accent, architectural reveals, under banister, display and book cases, etc.

Approvals
 Class 2 damp listed

Operating voltage
 24 VDC

Lumen Maintenance:
 50,000

Warranty
 5 years



Technical Information

MODEL	SO	MO	HO
LEDS/ft	91	91	91
Light output 2900K	189 lum/ft	350 lum/ft	567 lum/ft
Average power consumption (for 15' section)	2.0 W/ft	4.0 W/ft	7.0 W/ft
Cutting increment	0.90"	0.90"	0.90"
Efficacy lum/watt	95	88	81
Maximum run length (in series)	48 ft	24 ft	13 ft
Dimensions	0.39" W 0.07" H	0.39" W 0.07" H	0.39" W 0.07" H

CCT INFO/LUMEN MULTIPLIER

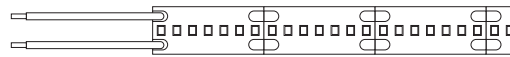
Color temperature	Multiplier (referenced from 2900K)	CRI
1800K	0.69	90 +
2300K	0.89	95 +
2700K	0.97	95 +
2900K	1.00	95 +
3500K	1.01	95 +
4100K	1.03	95 +

SECTION START/END OPTIONS

No connector



Soldered leads (72")



Ordering Code

MODEL	OUTPUT	CCT	SECTION START	SECTION END	LENGTH
LL91STP	SO	18K	SL	NC	
LL91STP - LL91STP	SO - Standard MO - Medium HO - High	18K - 1800K 23K - 2300K 27K - 2700K 29K - 2900K 35K - 3500K 41K - 4100K	SL - Soldered lead wires (72") NC - No Connector	SL - Soldered lead wires (72") NC - No Connector	view table above for increment options and maximum run limits

Power Consumption Per Linear Foot

Loads tested with PSD series of power supplies

Length of Strip (LF)	SO		MO		HO	
	W/ft	Total Wattage	W/ft	Total Wattage	W/ft	Total Wattage
1	1.90	1.90	4.60	4.60	8.40	8.40
2	2.20	4.40	4.55	9.10	8.25	16.50
3	2.30	6.90	4.60	13.80	10.83	32.50
4	2.28	9.10	4.55	18.20	9.88	39.50
5	2.26	11.30	4.56	22.80	7.90	39.50
6	2.30	13.80	4.50	27.00	7.67	46.00
7	2.29	16.00	4.40	30.80	7.54	52.80
8	2.21	17.70	4.36	34.90	7.23	57.80
9	2.21	19.90	4.28	38.50	7.11	64.00
10	2.21	22.10	4.24	42.40	6.89	68.90
11	2.21	24.30	4.11	45.20	7.33	80.60
12	2.14	25.70	4.13	49.60	6.76	81.10
13	2.12	27.60	4.09	53.20	6.56	85.30
14	2.09	29.20	4.01	56.10		
15	2.12	31.80	3.98	59.70		
16	2.09	33.50	3.89	62.20		
17	2.07	35.20	3.83	65.10		
18	2.07	37.20	3.77	67.90		
19	2.04	38.80	3.58	68.00		
20	2.02	40.30	3.59	71.70		
21	2.00	42.00	3.50	73.50		
22	1.98	43.60	3.55	78.20		
23	1.96	45.10	3.60	82.90		
24	1.94	46.50	3.52	84.50		
25	1.91	47.70				
26	1.89	49.10				
27	1.89	51.00				
28	1.86	52.20				
29	1.85	53.70				
30	1.82	54.70				
31	1.74	55.80				
32	1.80	57.50				
33	1.76	58.20				
34	1.77	60.20				
35	1.74	60.80				
36	1.73	62.10				
37	1.71	63.30				
38	1.67	63.30				
39	1.65	64.30				
40	1.65	65.80				
41	1.64	67.20				
42	1.62	68.20				
43	1.61	69.20				
44	1.57	68.90				
45	1.60	72.00				
47	1.50	70.40				
48	1.49	71.40				

Lens Options / Light Transmission Percentage Per Lens

- C**
Clear
- HF**
Half (50%)
Frosted
- G**
Graze
- SI**
Satin Ice
- S**
Square
Frosted
- Q**
Round Square
Frosted
- F**
Frosted
- M**
Medium Beam
Frosted
- R**
Raised
- C36**
Clear 36°
Beam Angle
- C10**
Clear 10°
Beam Angle

<p>KS Channel (KSC-XX)</p> <p>C F HF C36 R 85% 55% 72% 83% 51%</p>	<p>KM Channel (KMC-XX)</p> <p>C F HF C10 R 71% 42% 58% 67% 39%</p>	<p>K45V Channel (K45VC-XX)</p> <p>C F HF C10 71% 42% 58% 67%</p>	<p>K45R Channel (K45RC-XX)</p> <p>F 42%</p>	<p>BOS Channel (BOSC-XX)</p> <p>F SI R G 43% 56% 46% 67%</p>
<p>KL Channel (KLC-XX)</p> <p>C F HF 83% 55% 68%</p>	<p>KXL Channel (KXLC-XX)</p> <p>C F HF 74% 46% 61%</p>	<p>CLA Channel (CLAC-XX)</p> <p>S Q 62% 63%</p>	<p>ALC Channel (ALC-XX)</p> <p>C F HF 79% 58% 69%</p>	<p>KRS Channel (KRSC-XX)</p> <p>C F HF 85% 55% 72%</p>
<p>KRM Channel (KRMC-XX)</p> <p>C F HF 71% 42% 58%</p>	<p>KRL Channel (KRLC-XX)</p> <p>C F HF 83% 55% 68%</p>	<p>KRXL Channel (KRXL-XX)</p> <p>C F HF 74% 46% 61%</p>	<p>Wall+ Channel (WPC-XX)</p> <p>C F 47% 44%</p>	<p>RO Channel (RO-XX)</p> <p>C F 75% 52%</p>
<p>ALS20 Channel (ALS20-XX)</p> <p>C F 78% 43%</p>	<p>FL Channel (FL-XX)</p> <p>C F HF 85% 63% 75%</p>			

Installation

All mounting channels are field cuttable using miter saw with circular blade suitable for cutting aluminum.

Ordering

Extrusions are sold separately. View respective specsheets for details on ordering extrusions and their accessories (endcaps, mounting brackets, etc).

LED Dotting per extrusion

using the frosted lens option

Extrusion	LED Model LL91STP
KSC, KRSC, FL, ALC	ND
KMC, KRMC, K45VC, K45RC	ND
KXLC, KRXL	ND
KLC, KRLC	ND
WPC	ND
RO, ALS20	ND
BOSC	ND
CLAC	ND



Clear Dotting (CD) Slight Dotting (SD) NO Dotting (ND)

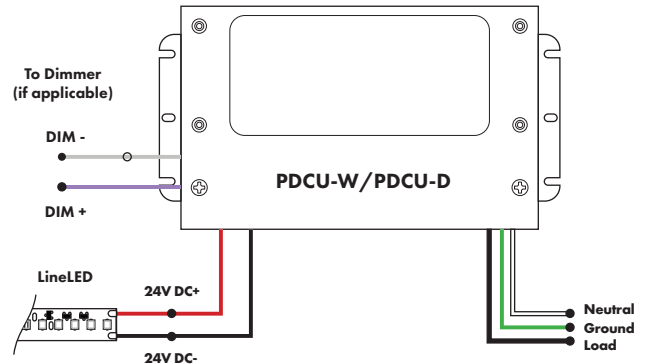
Power Supply

See fixture and power supply instructions & spec sheet for wiring information. Dimming possible in select models - view Luminii website for list of compatible dimmers.

Universal Power Supply

MODEL	POWER	OUTPUT
PDCU-W	96	24
PDCU-W - IP66 Wet Series	96 - 96 W 3X96 - 3X96 W	24 - 24 VDC
PDCU-D - IP20 Dry Series	30 - 30 W 60 - 60 W 96 - 96 W 3X96 - 3X96 W	

0-10V - 1% dimming
MLV/ELV/TRIAC - 1% dimming, consult dimming compatibility chart
Compatibility:
View a complete list of compatible dimmers on product page ([Link](#))

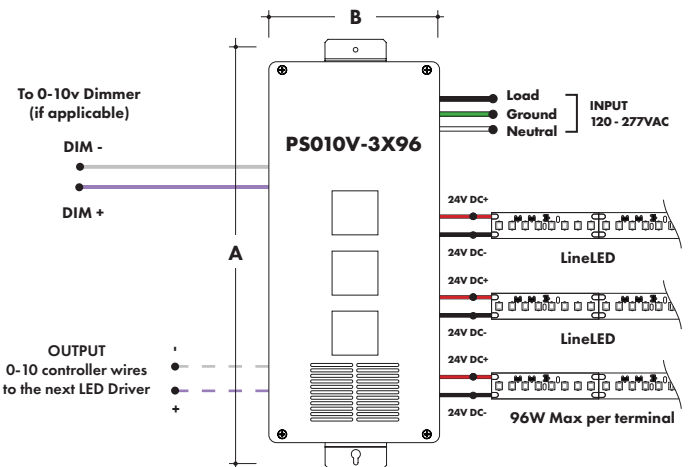
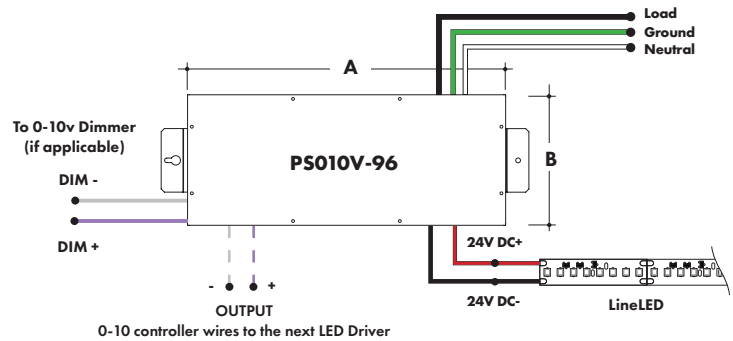


MODELS	PDCU-W 96W	PDCU-W 3X96W	PDCU-D 30W	PDCU-D 60W	PDCU-D 96W	PDCU-D 3X96W
A Length	8.66"	11.85"	6.10"	7.93"	8.25"	9.57"
B Width	3.73"	4.32"	3.35"	3.35"	4.10"	5.94"
Depth	1.61"	1.81"	1.33"	1.32"	1.56"	1.13"

0-10V Dimming Power Supplies

MODEL	POWER	OUTPUT	DIMMING
PS010V	96	24	LIN
PS010V - 0-10V Power Supply dims down to 0%	96 - 96 Watt 3X96 - 3 X 96 Watt	24 - 24 VDC	LIN - Linear LOG - Logarithmic

MODELS	96W	3X96
A Length	14.40"	15.75"
B Width	5.20"	6.62"
Depth	2.60"	4.95"



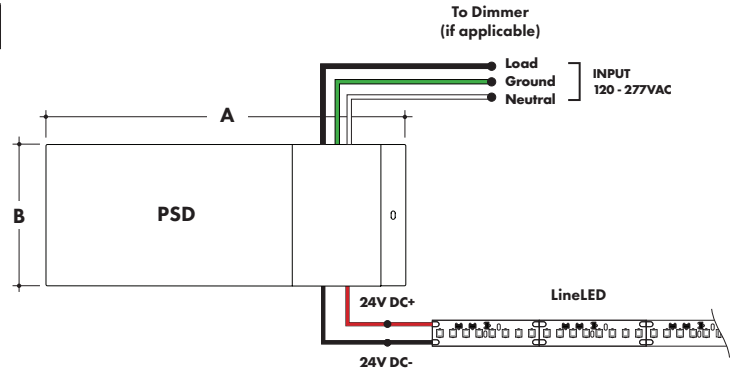
Power Supply

See fixture and power supply instructions & spec sheet for wiring information. Dimming possible in select models - view Luminii website for list of compatible dimmers.

Magnetic Low Voltage Dimming Power Supplies

MODEL	POWER	OUTPUT	INPUT
PSD	48	24	
PSD - PSD Series dims down to 0%	48 - 48 Watt 96 - 96 Watt 288 - 288 Watt (3 x 96Watt)	24 - 24 VDC	Blank - 120 V 240 - 240 V 277 - 277 V

MODELS	48W	96W	288W
A Length	11.25"	11.25"	13.06"
B Width	3.42"	3.42"	8.42"
Depth	3.42"	3.27"	4.47"

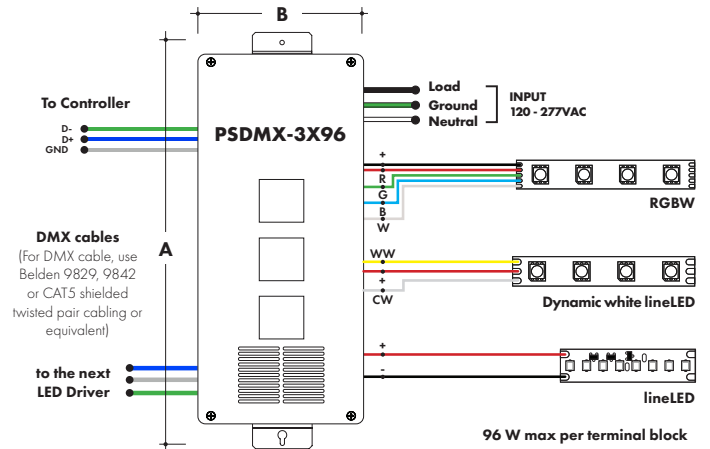
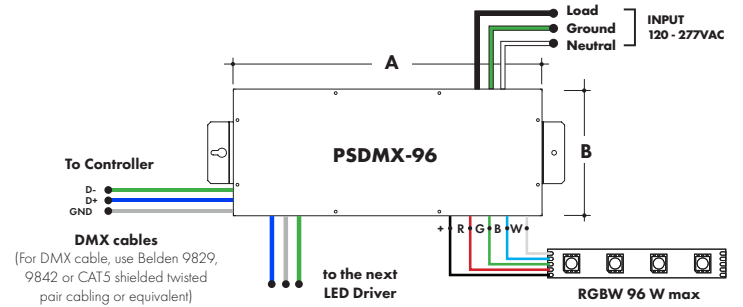


DMX Dimming Power Supplies

MODEL	POWER	OUTPUT
PSDMX	96	24
PSDMX - DMX Power Supply	96 - 96 Watt 3X96 - 3 X 96 Watt	24 - 24 VDC

Features eldoLED's LINEARdrive configurable dimmable drivers

MODELS	96W	3X96
A Length	14.40"	15.75"
B Width	5.20"	6.62"
Depth	2.60"	4.95"



Power Supply

See fixture and power supply instructions & spec sheet for wiring information. Dimming possible in select models - view Luminii website for list of compatible dimmers.

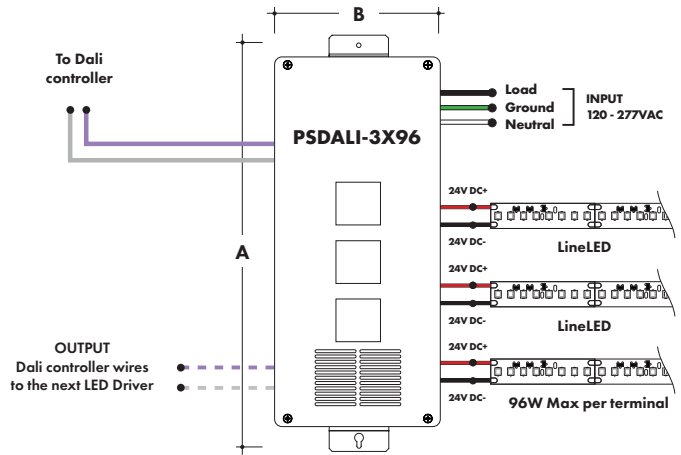
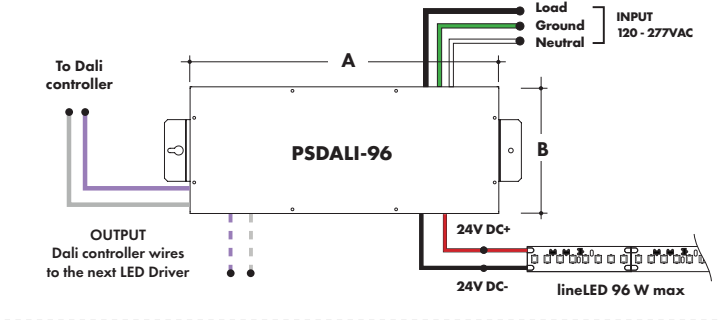
DALI Dimming Power Supplies

MODEL	POWER	OUTPUT
PSDALI	96	24

PSDALI - DALI Power Supply
dims down to 0%
96 - 96 Watt
3X96 - 3 X 96 Watt
24 - 24 VDC

Features eldoLED's LINEARdrive configurable dimmable drivers

MODELS	96W	3X96
A Length	14.40"	15.75"
B Width	5.20"	6.62"
Depth	2.60"	4.95"

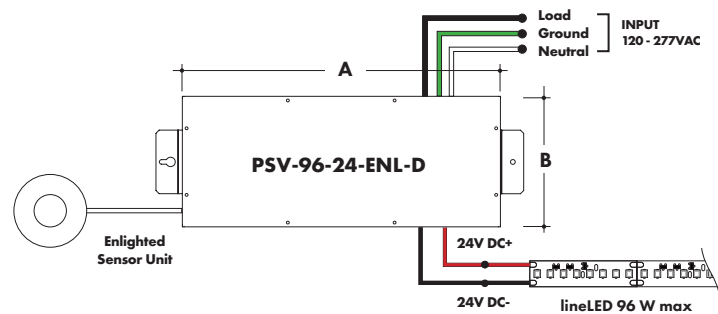


Enlighted Enabled Dimming Power Supplies:

MODEL	POWER	OUTPUT	DIMMING	LOCATION
PSV	96	24	ENL	D

PSV - PSV Series 96 - 96 Watt 24 - 24 VDC ENL - Enlighted Dimming D - Damp

MODELS	96W
A Length	14.40"
B Width	5.20"
Depth	2.60"

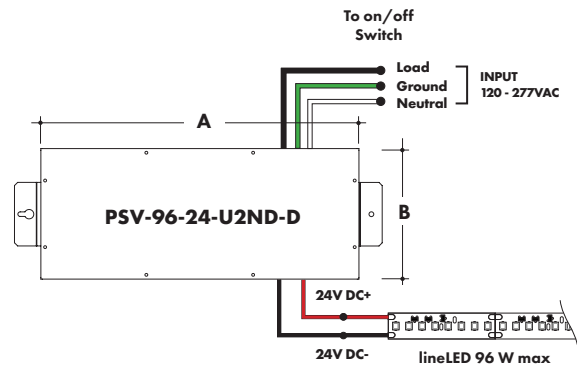


Non-Dimming Power Supply

MODEL	POWER	OUTPUT	DIMMING	LOCATION
PSV	96	24	U2ND	D

PSV - PSV Series 96 - 96 Watt 24 - 24 VDC U2ND - Non Dimming D - Damp

MODELS	96W
A Length	14.40"
B Width	5.20"
Depth	2.60"



Power Supply

See fixture and power supply instructions & spec sheet for wiring information. Dimming possible in select models - view Luminii website for list of compatible dimmers.



Luminii is a Lutron OEM Advantage Partner

MODEL

LTEA4U1UKL-CV240

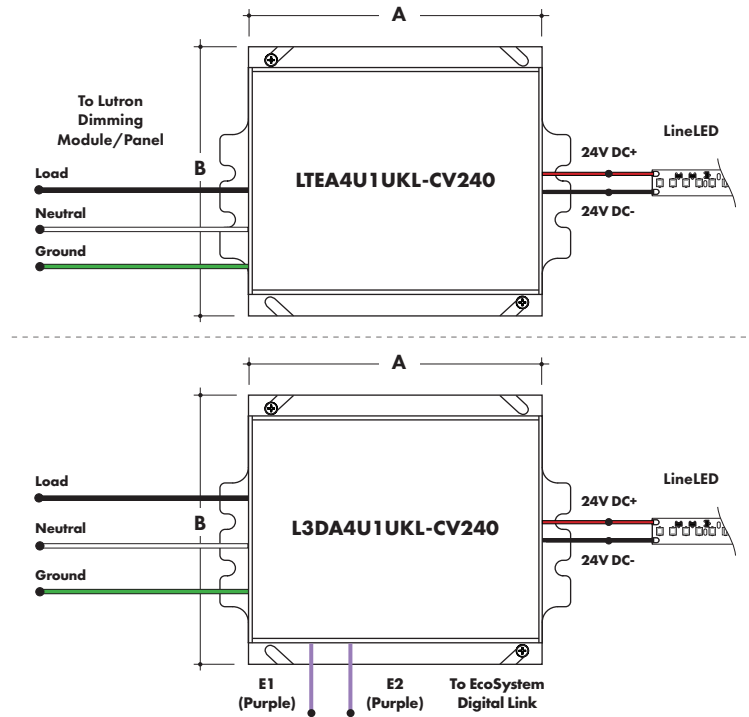
Lutron - HiLume™ 1% 2-wire LED Driver
(120V forward phase only)

MODEL

L3DA4U1UKL-CV240

HiLume™ 1% EcoSystem Voltage LED driver

MODELS	LTEA4U1UKL-CV240	L3DA4U1UKL-CV240
A Length	4.89"	4.98"
B Width	4.00"	4.00"
Depth	2.62"	2.62"



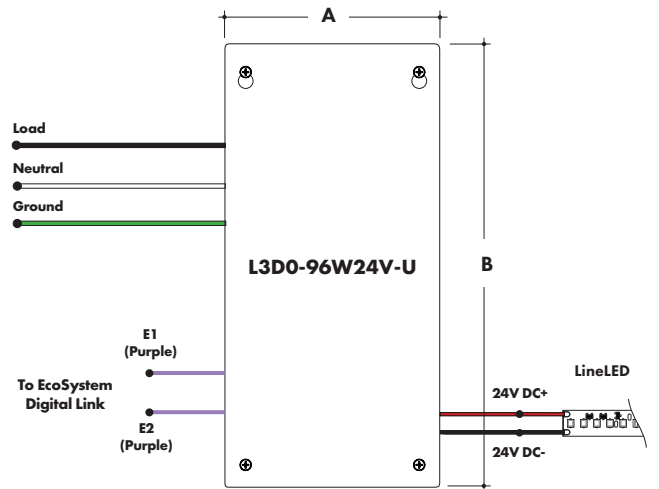
Luminii is a Lutron OEM Advantage Partner

MODEL

L3D0-96W24V-U

HiLume™ 0.1% EcoSystem Voltage LED Driver with Soft-On, Fade-to-Black™

MODELS	L3D0
A Length	10.50"
B Width	5.50"
Depth	2.00"



Power Supply

See fixture and power supply instructions & spec sheet for wiring information. Dimming possible in select models - view Luminii website for list of compatible dimmers.

In ground, Electronic Low Voltage Dimming Power Supplies

MODEL	POWER	OUTPUT	INPUT
IG - CVE	96X2	24	Blank - 120 V 277 - 240/277 V
IG - In ground CVE Series CVE - ELV Dimming DALI - eldoLED Dali dimming Both dims down to 0.1%	96X2 - 2 X 96 Watt	24 - 24 VDC	

MODELS	Dual Circuit
A Length	8.40"
B Width	8.30"
Depth	8.10"

