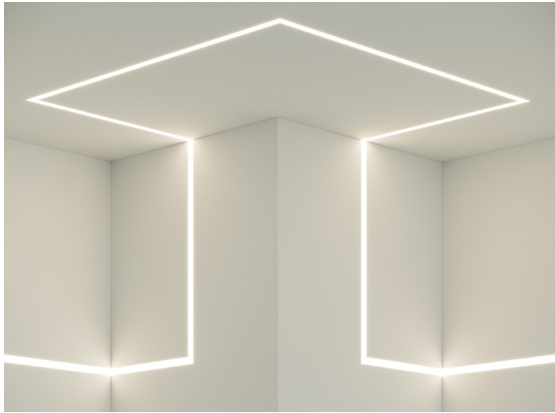


# Linii System

Gypsum Drywall Surface Mud-in Linear Illumination System

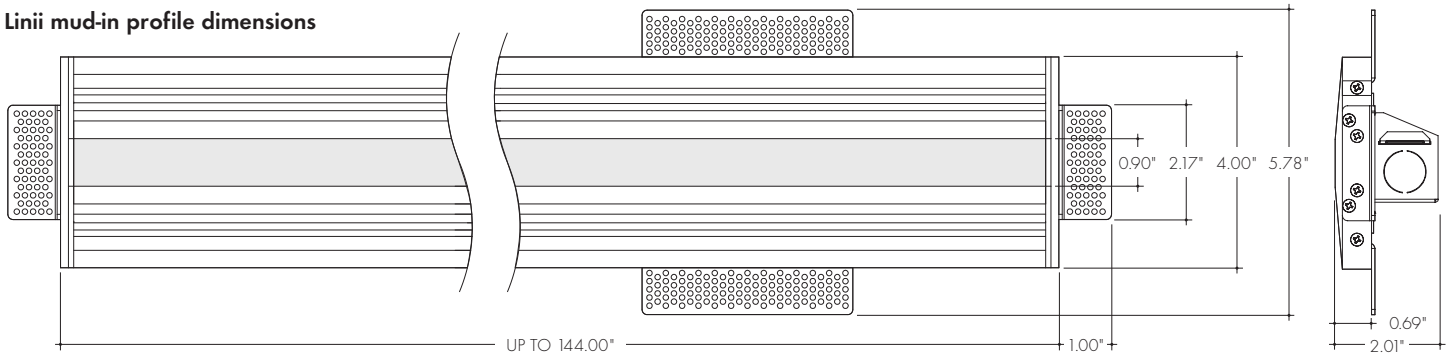


## Features

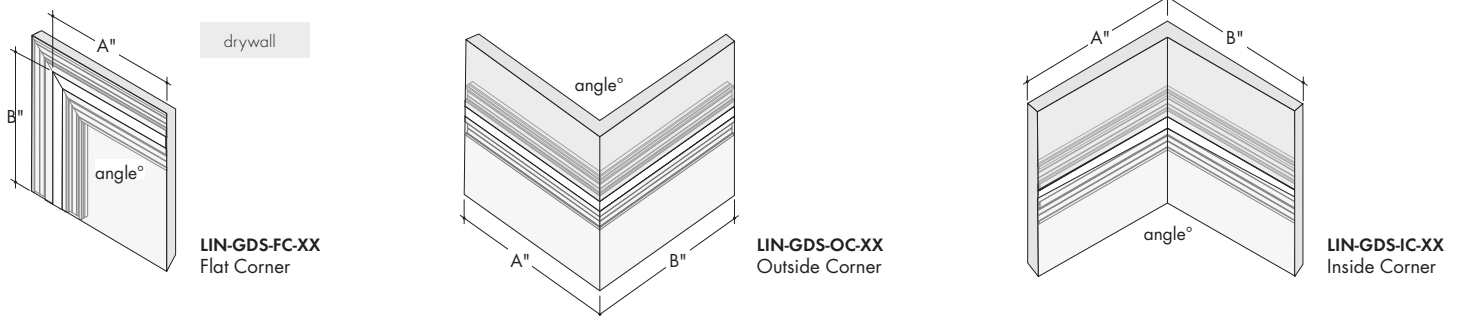
Extruded aluminum mud-in linear illumination system, Linii is available in sections up to 144" long. Specifically designed LED engine provides constant illumination levels from the beginning to the end of the runs. The Linii is suitable for general illumination, architectural accents. Class 2 listed for damp locations. Suitable for Chicago Plenum.



## Linii mud-in profile dimensions



## Linii corner options



OUTPUT OPTIONS	MO (LL36)	HO (LL54)	VHO (LL72)
Light output (3000K)	117 lm/ft	198 lm/ft	257 lm/ft
Average power consumption at 4'	3.2 W/ft	5.2 W/ft	6.5 W/ft
Lumens/watt	37 lm/W	38 lm/W	39 lm/W
Maximum system length	39'	26'	18'

CCT INFO/LUMEN MULTIPLIER		TM-30-15		
Color temperature	Multiplier (reference - 3000K)	CRI	R <sub>f</sub>	R <sub>g</sub>
1900K	0.63	96	94	97
2200K	0.68	96	95	101
2400K	0.72	98	97	101
2700K	0.76	97	96	101
2900K	0.82	98	96	102
3000K	1.00	97	95	104
3500K	1.05	97	94	105
4100K	1.37	97	90	99

## Ordering code for straight sections

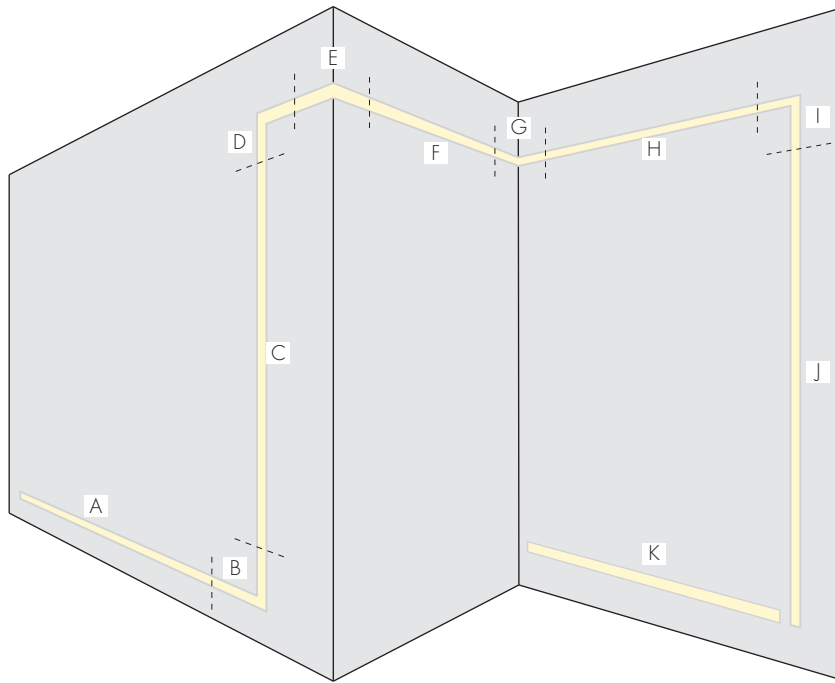
MODEL	LENGTH	CCT	OUTPUT	LENS	LEFT END	RIGHT END	POWER FEED
<b>LIN</b> - <b>GDS</b>	<b>12</b>	<b>19K</b>	<b>MO</b>	<b>F</b>	<b>LE</b>	<b>RE</b>	<b>F1</b>
LIN-GDS - Linii Gypsum Drywall Surface	12" - 144" 4" increments (12" - 144" for HO only)	19K - 1900K 22K - 2200K 24K - 2400K 27K - 2700K 29K - 2900K 30K - 3000K 35K - 3500K 41K - 4100K	MO - Medium HO - High VHO - Very High	F - Frosted	*LE - W/ endcap LN - WO/ endcap	*RE - W/ endcap RN - WO/ endcap	F1 - 72" wire leads JB1 - One integrated junction box NPF - No power feed

\* Select for a straight run independently of the system

**Layout example**

Corner types are ordered individually following ordering code on page 1.

If using corners to complete a system follow Linii ordering code for all straight runs on page 2.



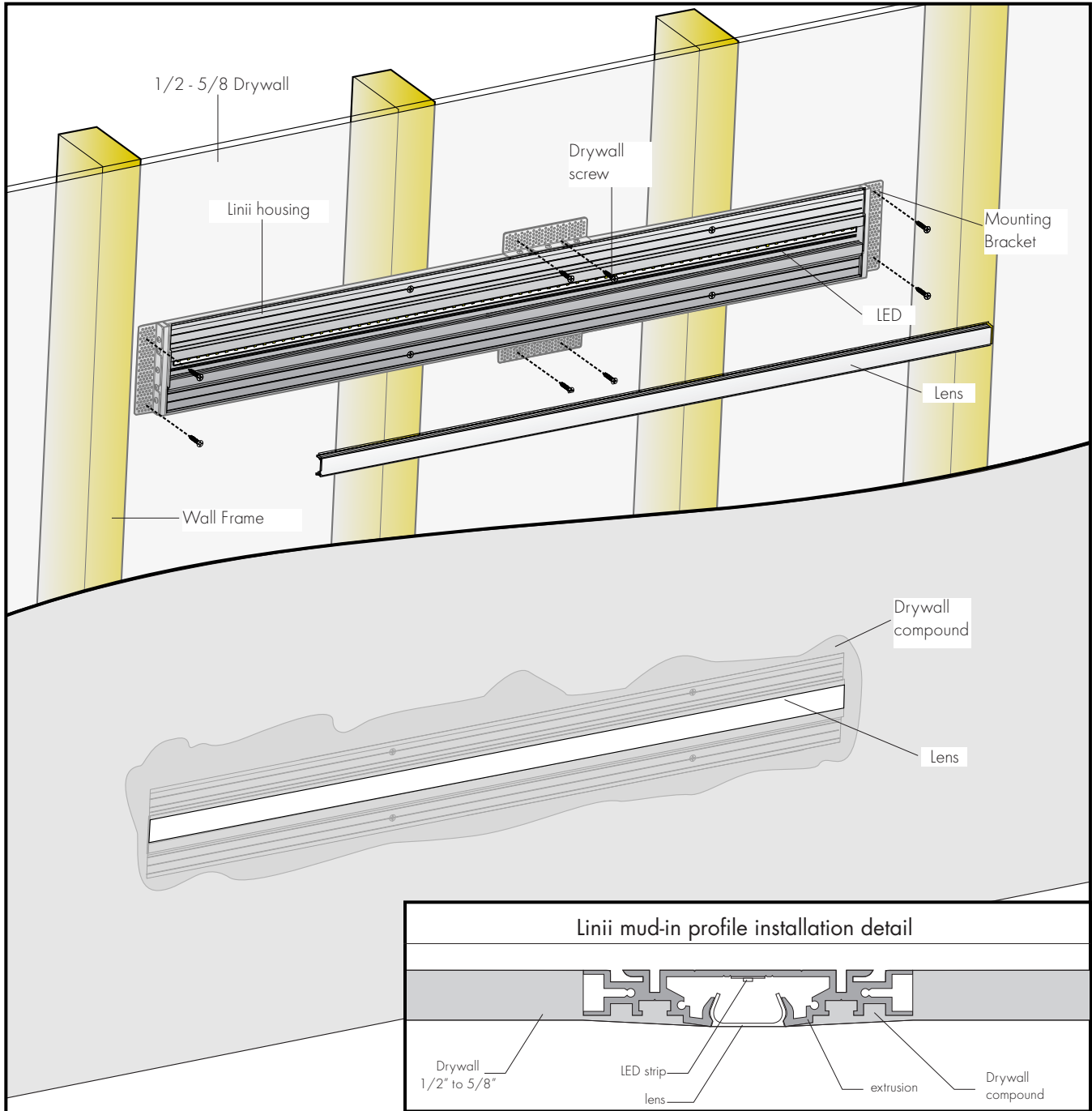
Example ordering codes for the above layout

Section	Ordering Code	Description
A	<b>LIN - GDS - 108 - 29K - MO - F - SA - LE - RN - F1</b>	9'-0" straight run, medium output
B	<b>LIN - GDS - FC - 90 - 29K - MO - F - SA - LN - RN - NPF</b>	90° flat corner turn, medium output
C	<b>LIN - GDS - 72 - 29K - MO - F - SA - LN - RN - NPF</b>	6'-0" straight run, medium output
D	<b>LIN - GDS - FC - 90 - 29K - MO - F - SA - LN - RN - NPF</b>	90° flat corner turn, medium output
E	<b>LIN - GDS - OC - 90 - 29K - MO - F - SA - LN - RN - NPF</b>	90° outside corner turn, medium output
F	<b>LIN - GDS - 36 - 29K - MO - F - SA - LN - RN - NPF</b>	3'-0" straight run, medium output
G	<b>LIN - GDS - IC - 90 - 29K - MO - F - SA - LN - RN - F1</b>	90° inside corner turn, medium output
H	<b>LIN - GDS - 48 - 29K - MO - F - SA - LN - RN - NPF</b>	4'-0" straight run, medium output
I	<b>LIN - GDS - FC - 90 - 29K - MO - F - SA - LN - RN - NPF</b>	90° flat corner turn, medium output
J	<b>LIN - GDS - 84 - 29K - MO - F - SA - LN - RE - NPF</b>	7'-0" straight run, medium output
K	<b>LIN - GDS - 48 - 29K - MO - F - SA - LE - RE - F1</b>	4'-0" straight run, medium output

**Ordering code for corner sections**

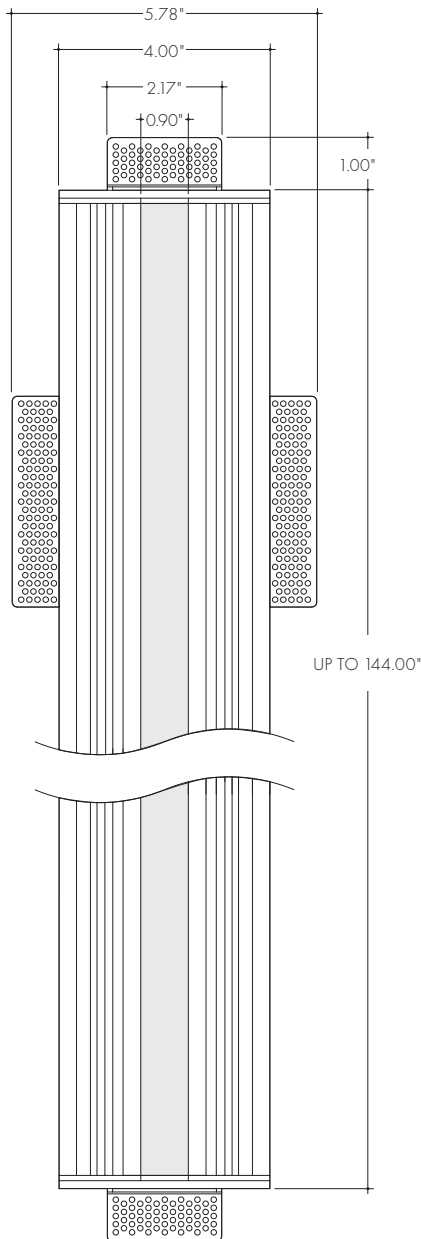
MODEL	CORNER TYPE	ANGLE	CCT	OUTPUT	LENS	LEFT END	RIGHT END	POWER FEED
<b>LIN</b> - <b>GDS</b> - <b>IC</b> - <b>90</b> - <b>22K</b> - <b>MO</b> - <b>F</b> - <b>LE</b> - <b>RE</b> - <b>F1</b>								
LIN-GDS - Linii Gypsum Drywall Surface	IC - Inside OC - Outside FC - Flat	90 - 90° C - Custom°	22K - 2200K 24K - 2400K 27K - 2700K 29K - 2900K 30K - 3000K 35K - 3500K 41K - 4100K	MO - Medium HO - High VHO - Very High	F - Frosted	LE - W/endcap LN - WO/endcap	RE - W/endcap RN - WO/endcap	F1 - 72" wire leads JB1 - One integrated junction box NPF - No power feed

Linii mud-in assembly overview



### Power consumption per fixture length

Based on operation with PSD series of power supplies.



Nominal length	MO (LL36)			HO (LL54)			VHO (LL72)		
	*Actual length	W/ft	Total wattage	*Actual length	W/ft	Total wattage	*Actual length	W/ft	Total wattage
12	12-4/16"	3.25	3.25	12-3/16"	5.35	5.30	12-3/16"	6.75	6.75
16	16-2/16"	3.25	4.00	16-2/16"	5.33	7.06	16-1/16"	6.75	9.00
20	20-2/16"	3.25	5.25	20-2/16"	5.31	8.82	20-1/16"	6.75	11.25
24	24 "	3.25	6.50	24-1/16"	5.30	10.60	24 "	6.75	13.50
28	27-15/16"	3.25	7.75	27-15/16"	5.28	12.33	27-15/16"	6.75	16.75
32	31-15/16"	3.25	8.50	31-15/16"	5.26	14.06	31-14/16"	6.75	19.00
36	35-13/16"	3.25	9.75	35-14/16"	5.25	15.80	35-13/16"	6.65	19.95
40	39-12/16"	3.25	10.25	39-13/16"	5.23	17.40	40-12/16"	6.65	22.20
44	43-12/16"	3.20	11.75	43-12/16"	5.21	19.00	44-11/16"	6.65	24.40
48	47-11/16"	3.20	12.80	47-11/16"	5.20	20.60	48-10/16"	6.55	26.20
52	51-10/16"	3.20	13.30	52-15/16"	5.18	22.40	52-9/16"	6.55	28.50
56	55-9/16"	3.20	14.80	56-14/16"	5.16	24.20	56-8/16"	6.55	30.50
60	59-8/16"	3.20	16.00	60-13/16"	5.15	26.00	60-7/16"	6.45	32.25
64	63-7/16"	3.20	17.00	64-12/16"	5.13	27.60	64-6/16"	6.45	34.40
68	69-5/16"	3.15	18.00	68-11/16"	5.11	29.20	68-5/16"	6.45	36.55
72	73-4/16"	3.15	18.90	72-10/16"	5.10	30.80	72-4/16"	6.40	38.40
76	77-3/16"	3.15	19.00	76-9/16"	5.08	32.40	76-3/16"	6.40	40.50
80	81-3/16"	3.15	21.50	80-9/16"	5.06	34.00	80-2/16"	6.40	43.00
84	85-1/16"	3.15	22.05	84-8/16"	5.05	35.70	84-1/16"	6.25	43.75
88	89 "	3.15	23.00	88-6/16"	5.03	37.10	88 "	6.25	46.00
92	92-15/16"	3.10	24.00	92-5/16"	5.01	38.50	91-15/16"	6.25	48.00
96	96-14/16"	3.10	24.80	96-5/16"	5.00	40.00	96-14/16"	6.15	49.20
100	100-14/16"	3.10	26.30	100-4/16"	4.98	41.60	100-13/16"	6.15	51.25
104	104-12/16"	3.05	27.10	104-3/16"	4.96	43.20	104-11/16"	6.15	53.00
108	108-12/16"	3.05	28.00	108-2/16"	4.95	44.80	108-11/16"	6.00	54.00
112	112-11/16"	3.05	28.50	112-1/16"	4.93	46.20	112-10/16"	6.00	56.00
116	116-9/16"	3.05	30.00	116 "	4.91	47.60	116-9/16"	6.00	58.00
120	120-9/16"	3.00	30.50	120 "	4.90	48.90	120-8/16"	5.90	59.00
124	124-8/16"	3.00	31.50	123-15/16"	4.89	50.40	124-7/16"	5.90	60.60
128	128-6/16"	3.00	32.50	127-14/16"	4.88	51.80	128-6/16"	5.90	62.20
132	132-6/16"	2.95	33.50	131-13/16"	4.86	53.30	132-5/16"	5.80	63.80
136	136-5/16"	2.95	34.30	135-12/16"	4.84	54.70	136-4/16"	5.80	65.30
140	140-4/16"	2.95	35.20	139-11/16"	4.82	56.10	140-3/16"	5.80	66.80
144	144-3/16"	2.90	36.00	144-15/16"	4.80	57.40	144-2/16"	5.70	68.40

Actual lengths are measured without endcaps & mounting, only the visible section.

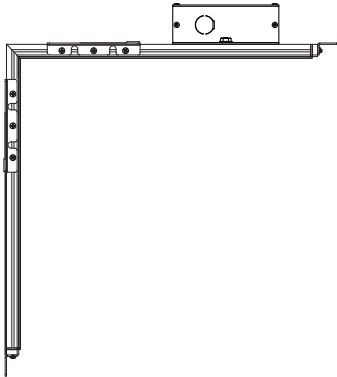
### Power consumption per Corner type

Based on operation with PSD series of power supplies.

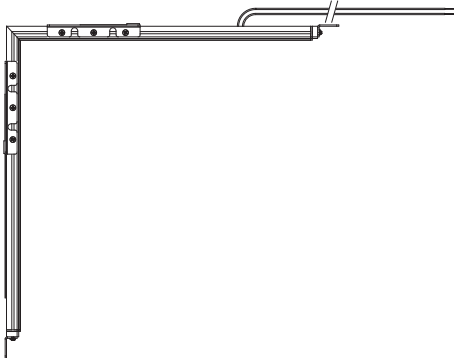
Corner Type	MO		HO		VHO	
	Actual length (AxB)	Total wattage	Actual length (AxB)	Total wattage	Actual length (AxB)	Total wattage
Flat	12-3/16" x 12-9/16"	7.00	12-3/16" x 12-7/16"	11.00	12-3/16" x 12-7/16"	14.00
Outer	12-8/16" x 12-8/16"	7.00	12-6/16" x 12-6/16"	11.00	12-6/16" x 12-6/16"	14.00
Inner	11-6/16" x 11-6/16"	6.00	11-4/16" x 11-4/16"	10.00	11-4/16" x 11-4/16"	12.00

**Power feed options for corner fixtures**

**JB1** - One integrated junction boxes for interconnecting multiple runs without refeeding from power supply



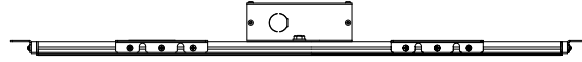
**F1** - 72" wire leads, plenum rated CL3R cable



TOP VIEW ON ALL LINE DRAWINGS

**Power feed options for straight sections**

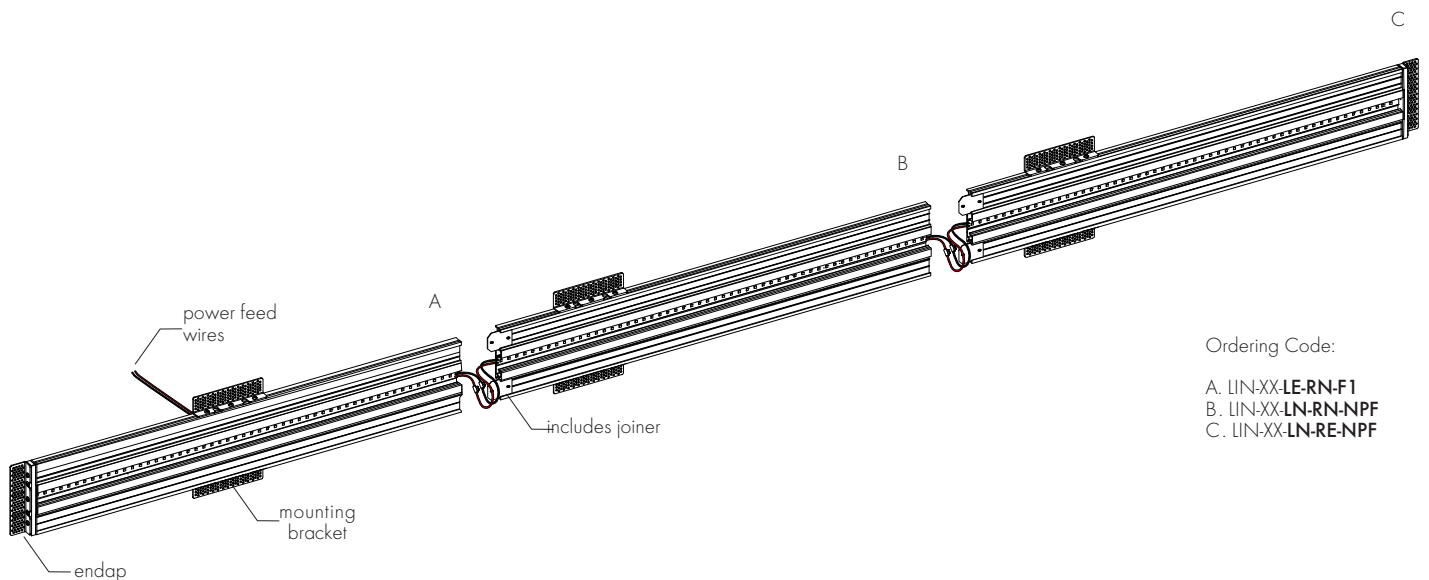
**JB1** - One integrated junction boxes



**F1** - 72" wire leads, plenum rated CL3R cable



**Sample layout of power feed connections**



Ordering Code:

- A. LIN-XX-LE-RN-F1
- B. LIN-XX-LN-RN-NPF
- C. LIN-XX-LN-RE-NPF

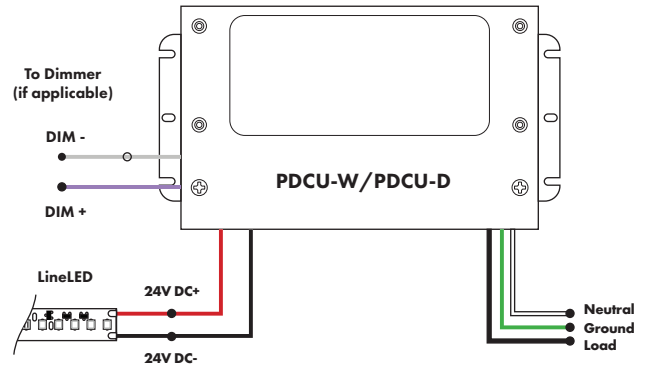
### Power Supply

See fixture and power supply instructions & spec sheet for wiring information. Dimming possible in select models - view Luminii website for list of compatible dimmers.

#### Universal Power Supply

MODEL	POWER	OUTPUT
<b>PDCU-W</b>	<b>96</b>	<b>24</b>
PDCU-W - IP66 Wet Series	96 - 96 W 3X96 - 3X96 W	24 - 24 VDC
PDCU-D - IP20 Dry Series	30 - 30 W 60 - 60 W 96 - 96 W 3X96 - 3X96 W	

0-10V - 1% dimming  
MLV/ELV/TRIAC - 1% dimming, consult dimming compatibility chart  
Compatibility:  
View a complete list of compatible dimmers on product page ([Link](#))

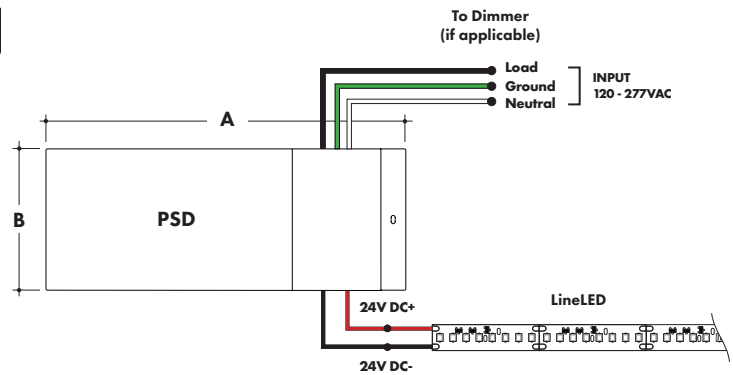


MODELS	PDCU-W 96W	PDCU-W 3X96W	PDCU-D 30W	PDCU-D 60W	PDCU-D 96W	PDCU-D 3X96W
<b>A Length</b>	8.66"	11.85"	6.10"	7.93"	8.25"	9.57"
<b>B Width</b>	3.73"	4.32"	3.35"	3.35"	4.10"	5.94"
<b>Depth</b>	1.61"	1.81"	1.33"	1.32"	1.56"	1.13"

#### Magnetic Low Voltage Dimming Power Supplies

MODEL	POWER	OUTPUT	INPUT
<b>PSD</b>	<b>48</b>	<b>24</b>	
PSD - PSD Series dims down to 0%	48 - 48 Watt 96 - 96 Watt 288 - 288 Watt (3 x 96Watt)	24 - 24 VDC	Blank - 120 V 240 - 240 V 277 - 277 V

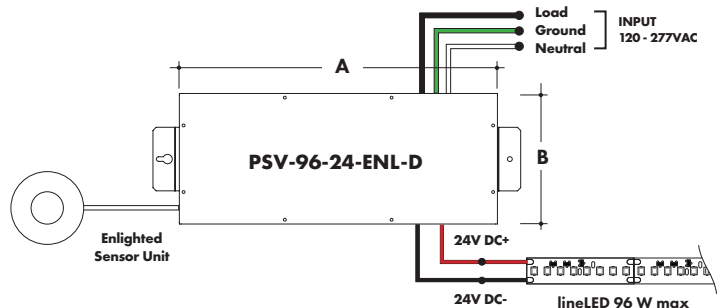
MODELS	48W	96W	288W
<b>A Length</b>	11.25"	11.25"	13.06"
<b>B Width</b>	3.42"	3.42"	8.42"
<b>Depth</b>	3.42"	3.27"	4.47"



#### Enlighted Enabled Dimming Power Supplies:

MODEL	POWER	OUTPUT	DIMMING	LOCATION
<b>PSV</b>	<b>96</b>	<b>24</b>	<b>ENL</b>	<b>D</b>
PSV - PSV Series	96 - 96 Watt	24 - 24 VDC	ENL - Enlighted Dimming	D - Damp

MODELS	96W
<b>A Length</b>	14.40"
<b>B Width</b>	5.20"
<b>Depth</b>	2.60"



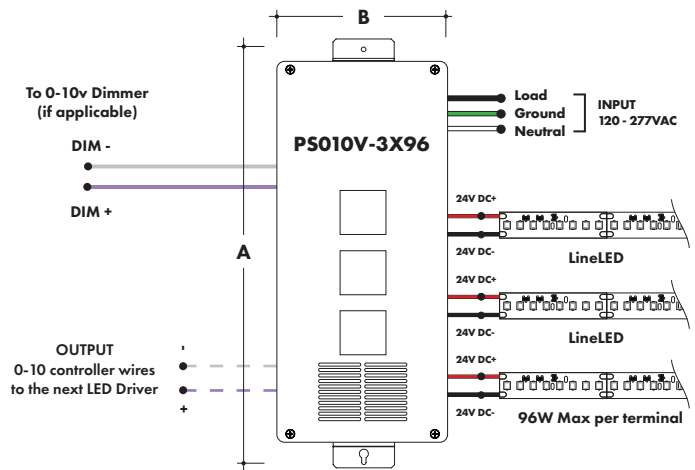
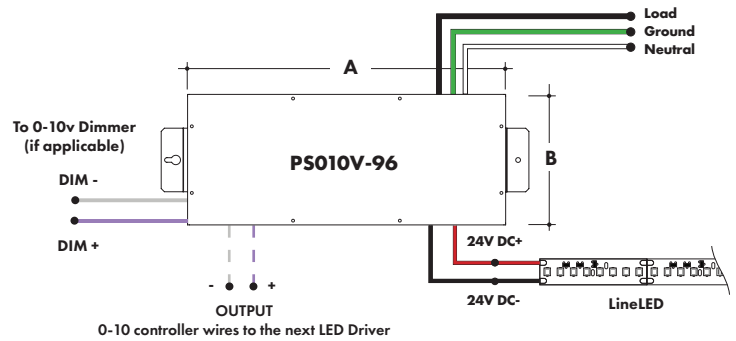
### Power Supply

See fixture and power supply instructions & spec sheet for wiring information. Dimming possible in select models - view Luminii website for list of compatible dimmers.

#### 0-10V Dimming Power Supplies

MODEL	POWER	OUTPUT	DIMMING
<b>PS010V</b>	<b>96</b>	<b>24</b>	<b>LIN</b>
PS010V - 0-10V Power Supply dims down to 0%	96 - 96 Watt 3X96 - 3 X 96 Watt	24 - 24 VDC	LIN - Linear LOG - Logarithmic

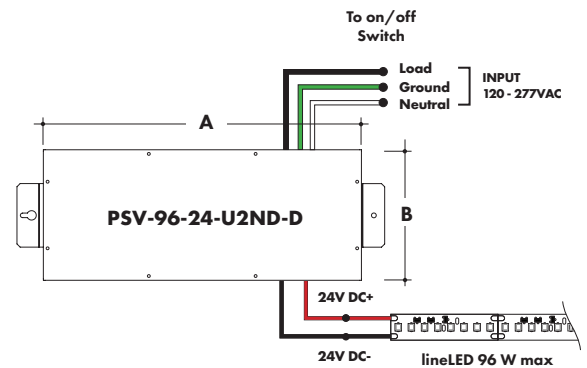
MODELS	96W	3X96
<b>A Length</b>	14.40"	15.75"
<b>B Width</b>	5.20"	6.62"
<b>Depth</b>	2.60"	4.95"



#### Non-Dimming Power Supply

MODEL	POWER	OUTPUT	DIMMING	LOCATION
<b>PSV</b>	<b>96</b>	<b>24</b>	<b>U2ND</b>	<b>D</b>
PSV - PSV Series	96 - 96 Watt	24 - 24 VDC	U2ND - Non Dimming	D - Damp

MODELS	96W
<b>A Length</b>	14.40"
<b>B Width</b>	5.20"
<b>Depth</b>	2.60"



**Power Supply**

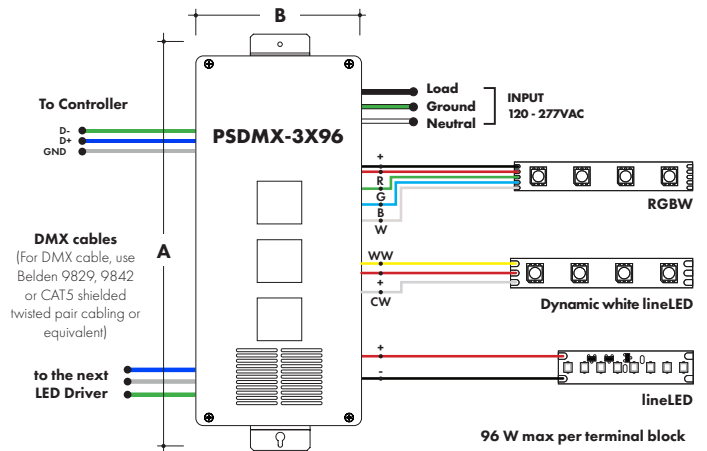
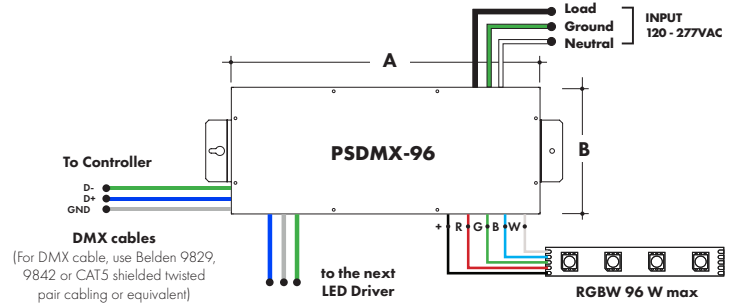
See fixture and power supply instructions & spec sheet for wiring information. Dimming possible in select models - view luminii website for list of compatible dimmers.

**DMX Dimming Power Supplies**

MODEL	POWER	OUTPUT
<b>PSDMX</b>	<b>96</b>	<b>24</b>
PSDMX - DMX Power Supply	96 - 96 Watt 3X96 - 3 X 96 Watt	24 - 24 VDC

Features eldoLED's LINEARdrive configurable dimmable drivers

MODELS	96W	3X96
<b>A Length</b>	14.40"	15.75"
<b>B Width</b>	5.20"	6.62"
<b>Depth</b>	2.60"	4.95"

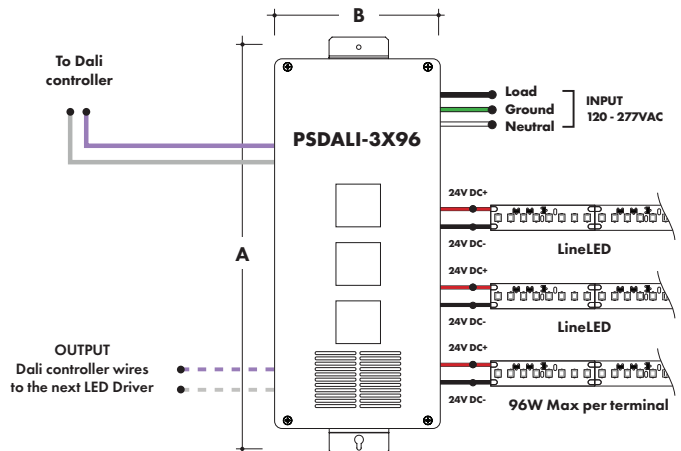
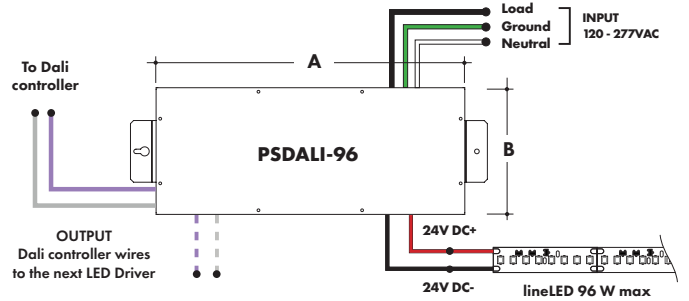


**DALI Dimming Power Supplies**

MODEL	POWER	OUTPUT
<b>PSDALI</b>	<b>96</b>	<b>24</b>
PSDALI - DALI Power Supply	96 - 96 Watt 3X96 - 3 X 96 Watt	24 - 24 VDC dims down to 0%

Features eldoLED's LINEARdrive configurable dimmable drivers

MODELS	96W	3X96
<b>A Length</b>	14.40"	15.75"
<b>B Width</b>	5.20"	6.62"
<b>Depth</b>	2.60"	4.95"





**Power Supply**

See fixture and power supply instructions & spec sheet for wiring information. Dimming possible in select models - view Luminii website for list of compatible dimmers.



Luminii is a Lutron OEM Advantage Partner

MODEL

**LTEA4U1UKL-CV240**

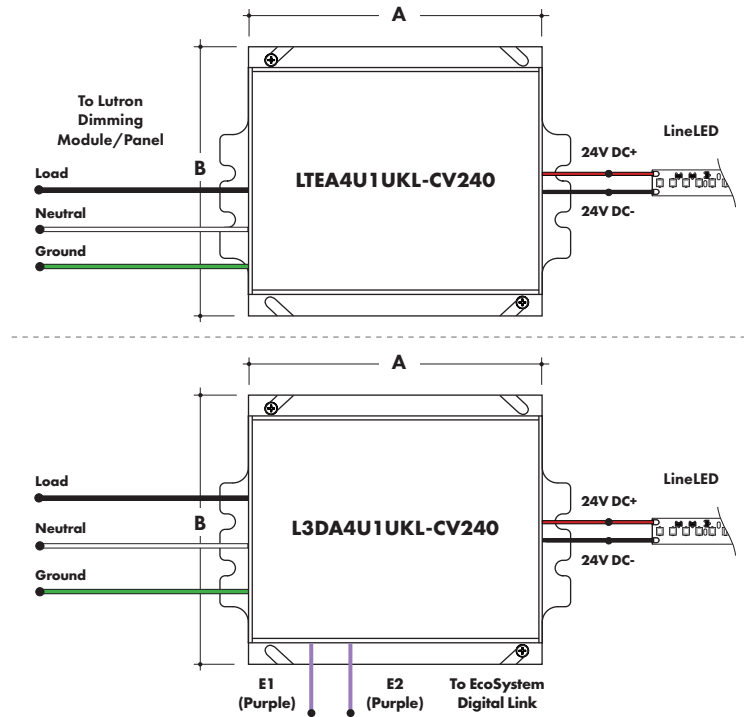
Lutron - HiLume™ 1% 2-wire LED Driver  
(120V forward phase only)

MODEL

**L3DA4U1UKL-CV240**

HiLume™ 1% EcoSystem Voltage LED driver

MODELS	LTEA4U1UKL-CV240	L3DA4U1UKL-CV240
<b>A Length</b>	4.89"	4.98"
<b>B Width</b>	4.00"	4.00"
<b>Depth</b>	2.62"	2.62"



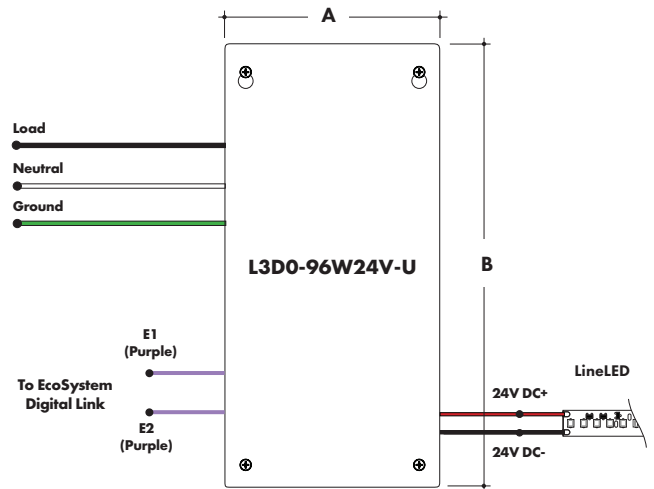
Luminii is a Lutron OEM Advantage Partner

MODEL

**L3D0-96W24V-U**

HiLume™ 0.1% EcoSystem Voltage LED Driver with Soft-On, Fade-to-Black™

MODELS	L3D0
<b>A Length</b>	10.50"
<b>B Width</b>	5.50"
<b>Depth</b>	2.00"



**Power Supply**

See fixture and power supply instructions & spec sheet for wiring information. Dimming possible in select models - view Luminii website for list of compatible dimmers.

**In ground, Electronic Low Voltage Dimming Power Supplies**

MODEL	POWER	OUTPUT	INPUT
<b>IG</b> - CVE	<b>96X2</b>	<b>24</b>	Blank - 120 V 277 - 240/277 V
IG - In ground CVE Series	96X2 - 2 X 96 Watt	24 - 24 VDC	
CVE - ELV Dimming DALI - eldoLED Dali dimming Both dims down to 0.1%			

MODELS	Dual Circuit
<b>A Length</b>	8.40"
<b>B Width</b>	8.30"
<b>Depth</b>	8.10"

