

Linii System

Drywall to Hard Surface Mud-in linear illumination system

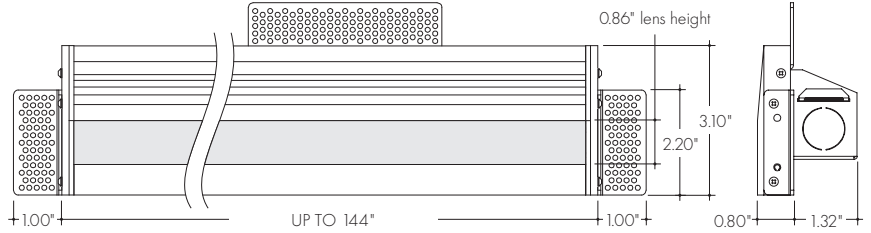


Features

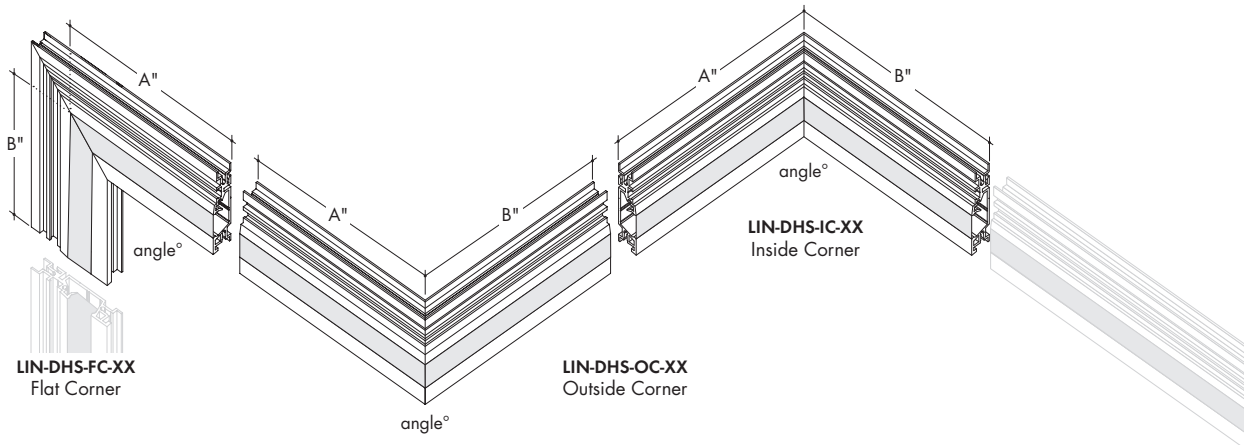
Extruded aluminum mud-in linear illumination system, Linii is available in sections up to 144" long. Specifically designed LED engine provides constant illumination levels from the beginning to the end of the runs. The Linii is suitable for general illumination, architectural accents. Class 2 listed for damp locations. Suitable for Chicago Plenum.



Profile dimensions



Linii corner options



OUTPUT OPTIONS	MO (LL36)	HO (LL54)	VHO (LL72)
Light output (3000K)	117 lm/ft	198 lm/ft	257 lm/ft
Average power consumption at 4'	3.2 W/ft	5.2 W/ft	6.5 W/ft
Lumens/watt	37 lm/W	38 lm/W	39 lm/W
Maximum system length	39'	26'	18'

CCT INFO/LUMEN MULTIPLIER		TM-30-15		
Color temperature	Multiplier (reference - 3000K)	CRI	R _f	R _g
1900K	0.63	96	94	97
2200K	0.68	96	95	101
2400K	0.72	98	97	101
2700K	0.76	97	96	101
2900K	0.90	96	93	101
3000K	1.00	97	95	104
3500K	1.05	97	94	105
4100K	1.37	97	90	99

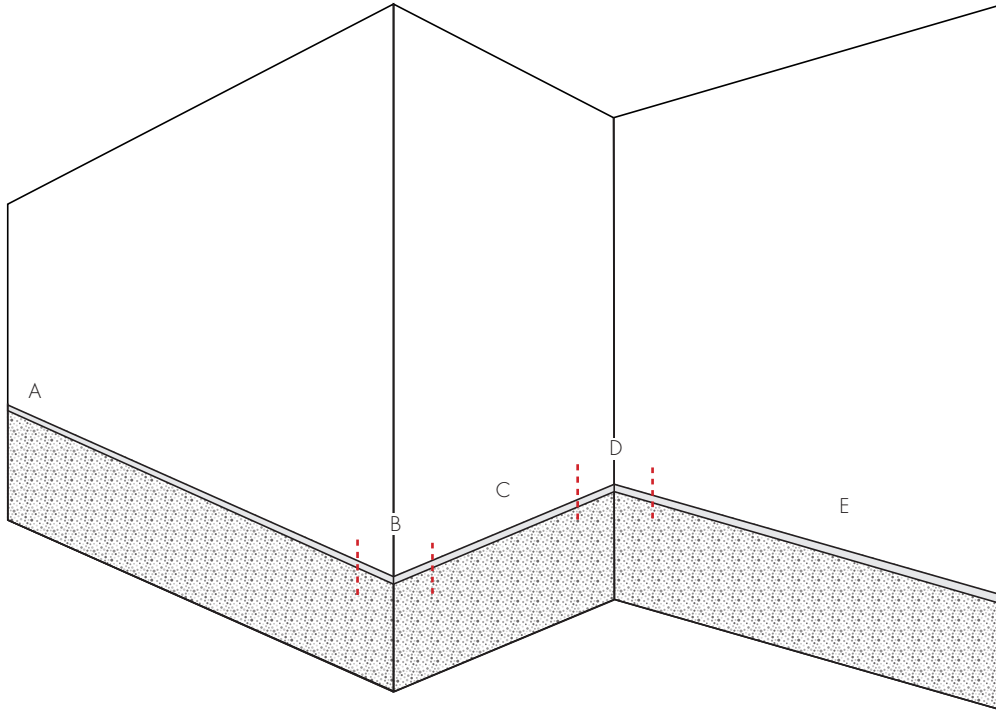
Ordering code for straight sections

MODEL	LENGTH	CCT	OUTPUT	LENS	LEFT END	RIGHT END	POWER FEED
LIN - DHS	12	19K	MO	F	LE	RE	F1
LIN-DHS - Linii Drywall to Hard Surface	12" - 144" 4" increments (12"-104" for HO only)	19K - 1900K 22K - 2200K 24K - 2400K 27K - 2700K 29K - 2900K 39K - 3000K 35K - 3500K 41K - 4100K	MO - Medium HO - High VHO - Very High	F - Frosted	*LE - W/ endcap LN - WO/ endcap	*RE - W/ endcap RN - W/O endcap	F1 - 72" wire leads JB1 - One integrated junction box NPF - No power feed

* Select for a straight run independently of the system

Layout example

Corner types are ordered individually following ordering code on page 1.
 If using corners to complete a system follow Linii ordering code for all straight runs on page 2.



Example ordering codes for the above layout

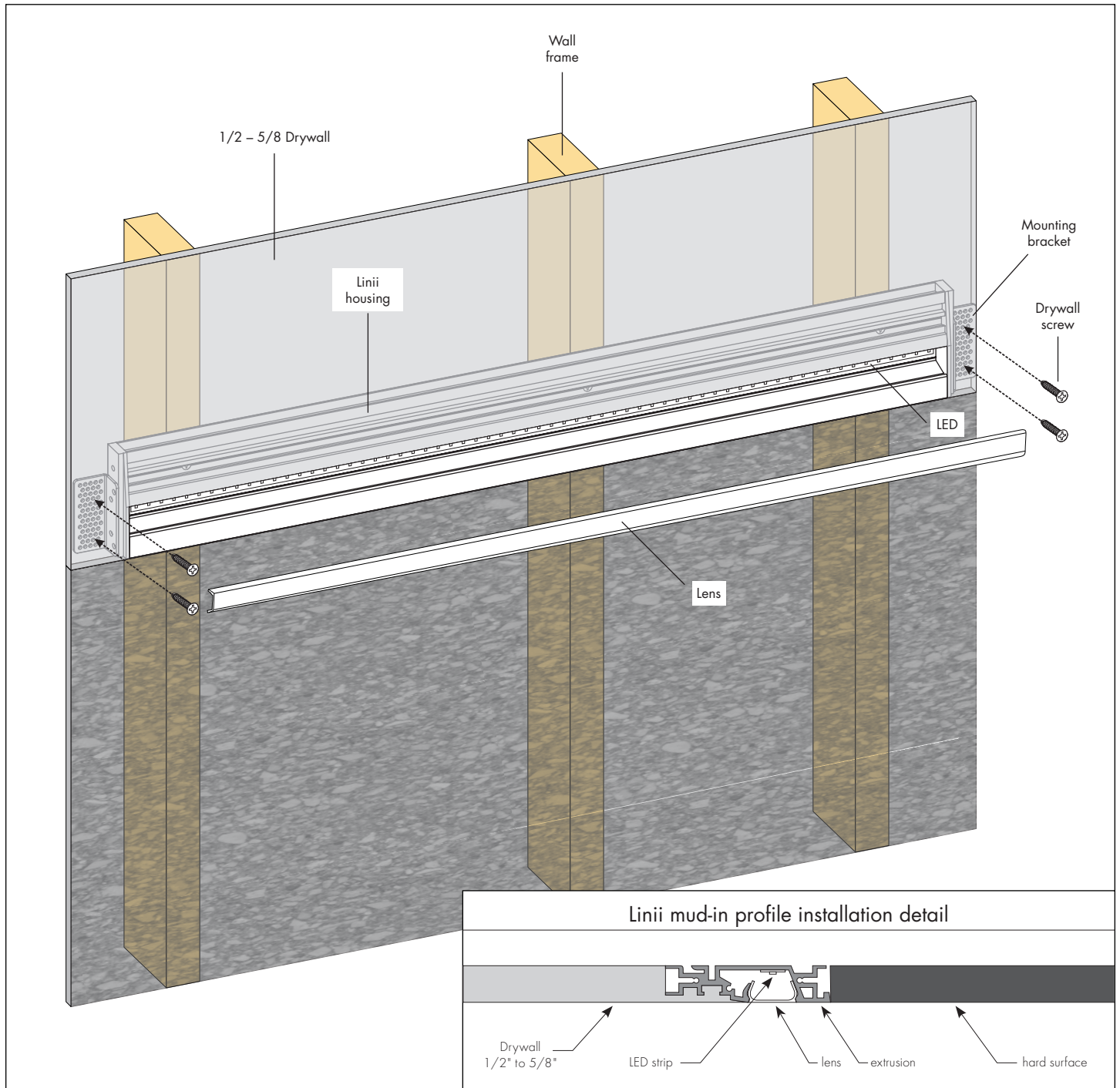
Section	Ordering Code	Description
A	LIN-DHS-108-29K-MO-F-SA-LE-RN-F1	9'-0" straight run, medium output
B	LIN-DHS-FC-90-29K-MO-F-SA-LN-RN-NPF	90° flat corner turn, medium output
C	LIN-DHS-72-29K-MO-F-SA-LN-RN-NPF	6'-0" straight run, medium output
D	LIN-DHS-FC-90-29K-MO-F-SA-LN-RN-NPF	90° flat corner turn, medium output
E	LIN-DHS-FC-90-29K-MO-F-SA-LN-RE-NPF	90° flat corner turn, medium output

Ordering code for corner sections

MODEL	LENGTH	CORNER TYPE	CCT	OUTPUT	LENS	LEFT END	RIGHT END	POWER FEED
LIN - DHS	12	IC	19K	MO	F	LE	RE	F1
LIN-DHS - Linii Drywall to Hard Surface	12" - 144" 4" increments (12"-104" for HO only)	IC - Inside OC - Outside FC - Flat	19K - 1900K 22K - 2200K 24K - 2400K 27K - 2700K 29K - 2900K 39K - 3000K 35K - 3500K 41K - 4100K	MO - Medium HO - High VHO - Very High	F - Frosted	*LE - W/ endcap LN - WO/ endcap	*RE - W/ endcap RN - W/O endcap	F1 - 72" wire leads JB1 - One integrated junction box NPF - No power feed

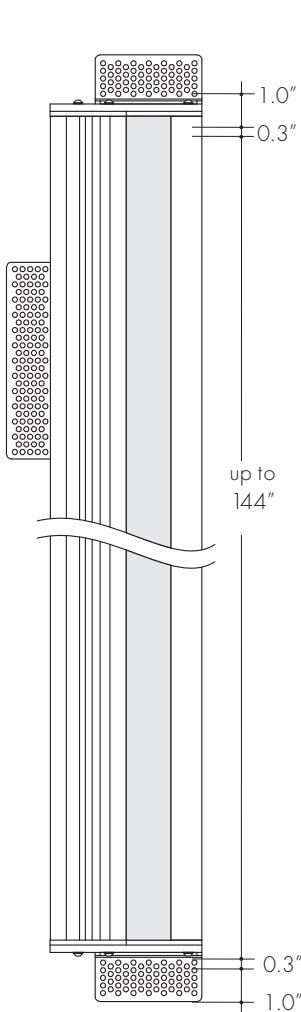
* Select for a straight run independently of the system

Linii mud-in assembly overview



Power consumption per fixture length

Based on operation with PSD series of power supplies.



Nominal length	MO (LL36)			HO (LL54)			VHO (LL72)		
	*Actual length	W/ft	Total wattage	*Actual length	W/ft	Total wattage	*Actual length	W/ft	Total wattage
12	12-9/16"	3.25	3.25	12-7/16"	5.35	5.30	12-7/16"	6.75	6.75
16	16-5/16"	3.25	4.00	16-6/16"	5.33	7.06	16-2/16"	6.75	9.00
20	20-5/16"	3.25	5.25	20-6/16"	5.31	8.82	20-1/16"	6.75	11.25
24	24-4/16"	3.25	6.50	24-4/16"	5.30	10.60	24-2/16"	6.75	13.50
28	28-3/16"	3.25	7.75	28-3/16"	5.28	12.33	28-3/16"	6.75	16.75
32	32-2/16"	3.25	8.50	32-2/16"	5.26	14.06	32-2/16"	6.75	19.00
36	36-1/16"	3.25	9.75	36-1/16"	5.25	15.80	36-1/16"	6.65	19.95
40	40 "	3.25	10.25	40 "	5.23	17.40	40 "	6.65	22.20
44	43-14/16"	3.20	11.75	43-15/16"	5.21	19.00	44 "	6.65	24.40
48	47-14/16"	3.20	12.80	47-14/16"	5.20	20.60	47-14/16"	6.55	26.20
52	51-13/16"	3.20	13.30	51-13/16"	5.18	22.40	51-14/16"	6.55	28.50
56	55-12/16"	3.20	14.80	55-12/16"	5.16	24.20	55-12/16"	6.55	30.50
60	59-11/16"	3.20	16.00	59-11/16"	5.15	26.00	59-11/16"	6.45	32.25
64	63-10/16"	3.20	17.00	63-10/16"	5.13	27.60	63-10/16"	6.45	34.40
68	67-9/16"	3.15	18.00	67-9/16"	5.11	29.20	68-10/16"	6.45	36.55
72	71-8/16"	3.15	18.90	71-8/16"	5.10	30.80	72-2/16"	6.40	38.40
76	75-7/16"	3.15	19.00	75-7/16"	5.08	32.40	76-3/16"	6.40	40.50
80	79-6/16"	3.15	21.50	79-6/16"	5.06	34.00	80-2/16"	6.40	43.00
84	83-5/16"	3.15	22.05	83-6/16"	5.05	35.70	84-2/16"	6.25	43.75
88	87-4/16"	3.15	23.00	87-3/16"	5.03	37.10	88-4/16"	6.25	46.00
92	91-3/16"	3.10	24.00	91-3/16"	5.01	38.50	92-3/16"	6.25	48.00
96	95-3/16"	3.10	24.80	96-7/16"	5.00	40.00	96-2/16"	6.15	49.20
100	99-1/16"	3.10	26.30	100-6/16"	4.98	41.60	100-1/16"	6.15	51.25
104	102-15/16"	3.05	27.10	104-2/16"	4.96	43.20	104-1/16"	6.15	53.00
108	106-14/16"	3.05	28.00	108-4/16"	4.95	44.80	107-14/16"	6.00	54.00
112	110-14/16"	3.05	28.50	112-3/16"	4.93	46.20	111-14/16"	6.00	56.00
116	114-13/16"	3.05	30.00	116-2/16"	4.91	47.60	115-14/16"	6.00	58.00
120	118-12/16"	3.00	30.50	120-2/16"	4.90	48.90	119-11/16"	5.90	59.00
124	122-11/16"	3.00	31.50	124 "	4.89	50.40	123-10/16"	5.90	60.60
128	126-10/16"	3.00	32.50	128 "	4.88	51.80	127-14/16"	5.90	62.20
132	131-9/16"	2.95	33.50	131-14/16"	4.86	53.30	132-8/16"	5.80	63.80
136	135-8/16"	2.95	34.30	135-14/16"	4.84	54.70	137-7/16"	5.80	65.30
140	139-7/16"	2.95	35.20	139-13/16"	4.82	56.10	141-6/16"	5.80	66.80
144	143-6/16"	2.90	36.00	143-12/16"	4.80	57.40	143-4/16"	5.70	68.40

Actual lengths are measured without endcaps & mounting, only the visible section.

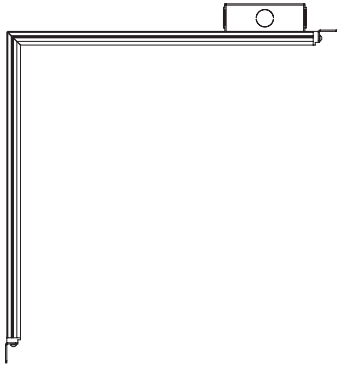
Power consumption per fixture length

Based on operation with PSD series of power supplies.

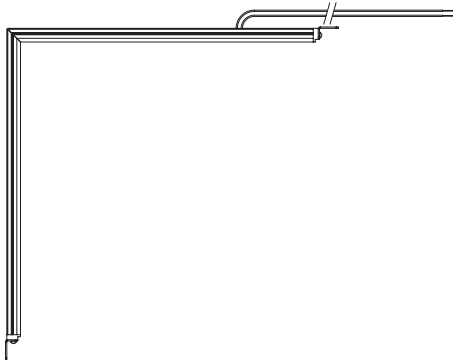
Corner Type	MO		HO		VHO	
	Actual length (AxB)	Total wattage	Actual length (AxB)	Total wattage	Actual length (AxB)	Total wattage
Flat	12-3/16" x 12-9/16"	7.00	12-3/16" x 12-7/16"	11.00	12-3/16" x 12-7/16"	14.00
Outer	12-8/16" x 12-8/16"	7.00	12-6/16" x 12-6/16"	11.00	12-6/16" x 12-6/16"	14.00
Inner	11-6/16" x 11-6/16"	6.00	11-4/16" x 11-4/16"	10.00	11-4/16" x 11-4/16"	12.00

Power feed options for corner fixtures

JB1 - One integrated junction boxes for interconnecting multiple runs without refeeding from power supply



F1 - 72" wire leads, plenum rated CL3R cable



TOP VIEW ON ALL LINE DRAWINGS

Power feed options for straight sections

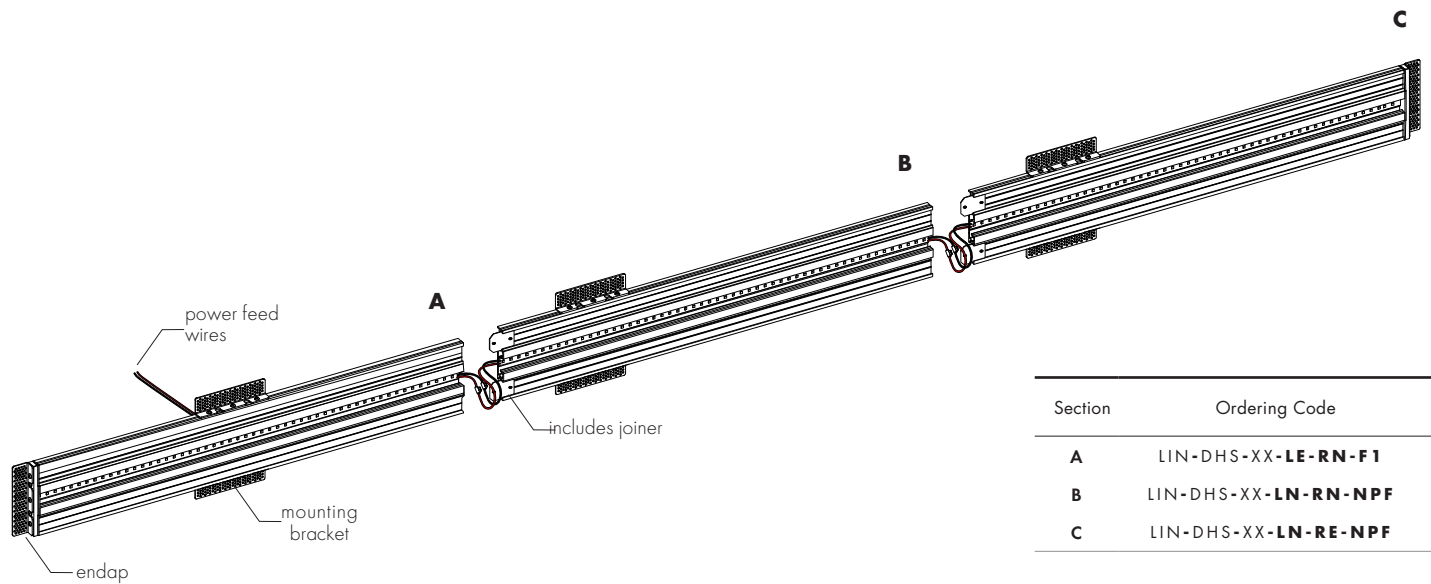
JB1 - One integrated junction boxes



F1 - 72" wire leads, plenum rated CL3R cable



Sample layout of power feed connections



Section	Ordering Code
A	LIN-DHS-XX- LE-RN-F1
B	LIN-DHS-XX- LN-RN-NPF
C	LIN-DHS-XX- LN-RE-NPF

Linii System

Drywall to Hard Surface Mud-in linear illumination system



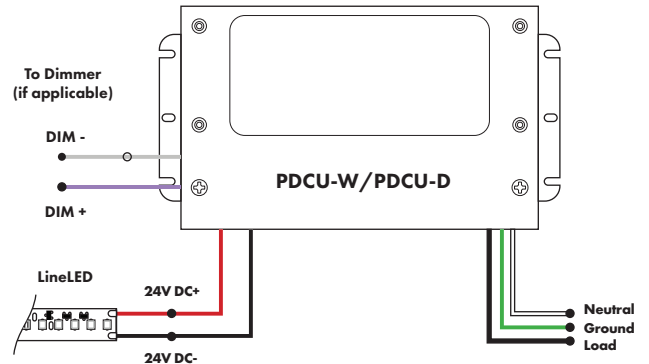
Power Supply

See fixture and power supply instructions & spec sheet for wiring information. Dimming possible in select models - view Luminii website for list of compatible dimmers.

Universal Power Supply

MODEL	POWER	OUTPUT
PDCU-W	96	24
PDCU-W - IP66 Wet Series	96 - 96 W 3X96 - 3X96 W	24 - 24 VDC
PDCU-D - IP20 Dry Series	30 - 30 W 60 - 60 W 96 - 96 W 3X96 - 3X96 W	

0-10V - 1% dimming
MLV/ELV/TRIAC - 1% dimming, consult dimming compatibility chart
Compatibility:
View a complete list of compatible dimmers on product page ([Link](#))

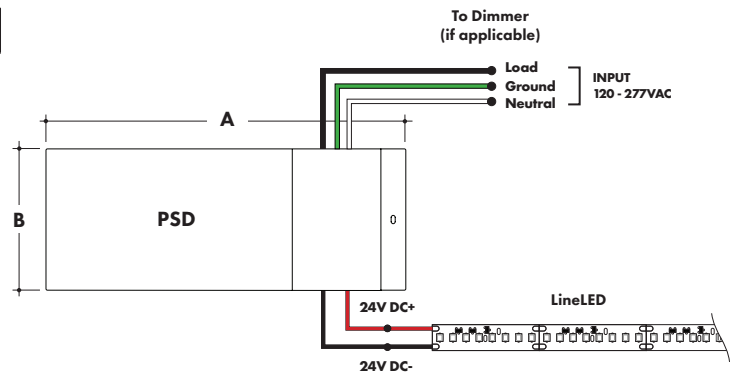


MODELS	PDCU-W 96W	PDCU-W 3X96W	PDCU-D 30W	PDCU-D 60W	PDCU-D 96W	PDCU-D 3X96W
A Length	8.66"	11.85"	6.10"	7.93"	8.25"	9.57"
B Width	3.73"	4.32"	3.35"	3.35"	4.10"	5.94"
Depth	1.61"	1.81"	1.33"	1.32"	1.56"	1.13"

Magnetic Low Voltage Dimming Power Supplies

MODEL	POWER	OUTPUT	INPUT
PSD	48	24	
PSD - PSD Series dims down to 0%	48 - 48 Watt 96 - 96 Watt 288 - 288 Watt (3 x 96Watt)	24 - 24 VDC	Blank - 120 V 240 - 240 V 277 - 277 V

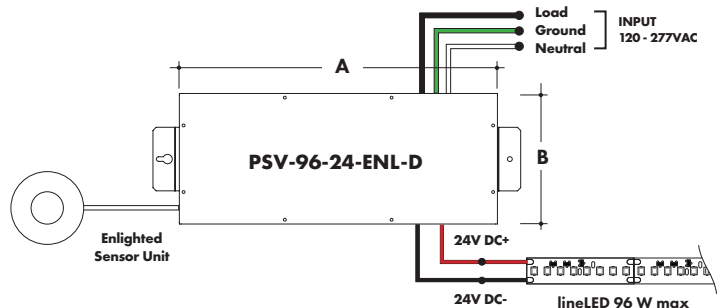
MODELS	48W	96W	288W
A Length	11.25"	11.25"	13.06"
B Width	3.42"	3.42"	8.42"
Depth	3.42"	3.27"	4.47"



Enlighted Enabled Dimming Power Supplies:

MODEL	POWER	OUTPUT	DIMMING	LOCATION
PSV	96	24	ENL	D
PSV - PSV Series	96 - 96 Watt	24 - 24 VDC	ENL - Enlighted Dimming	D - Damp

MODELS	96W
A Length	14.40"
B Width	5.20"
Depth	2.60"



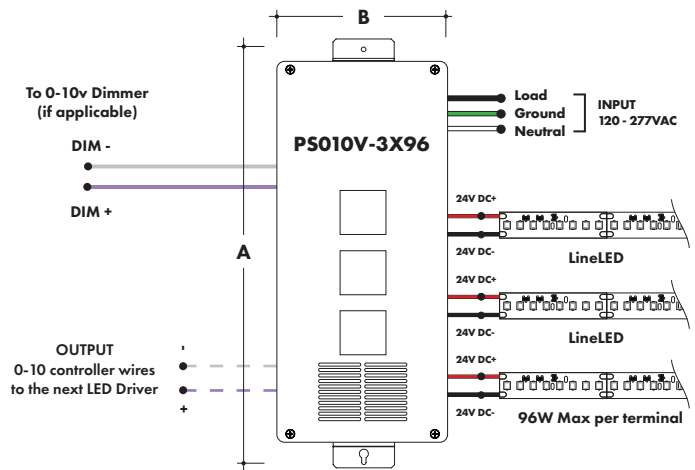
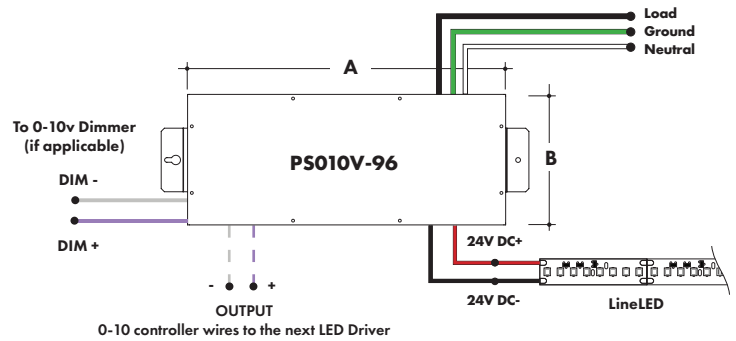
Power Supply

See fixture and power supply instructions & spec sheet for wiring information. Dimming possible in select models - view Luminii website for list of compatible dimmers.

0-10V Dimming Power Supplies

MODEL	POWER	OUTPUT	DIMMING
PS010V	96	24	LIN
PS010V - 0-10V Power Supply dims down to 0%	96 - 96 Watt 3X96 - 3 X 96 Watt	24 - 24 VDC	LIN - Linear LOG - Logarithmic

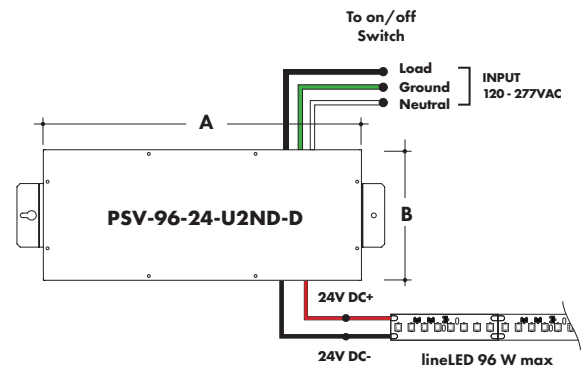
MODELS	96W	3X96
A Length	14.40"	15.75"
B Width	5.20"	6.62"
Depth	2.60"	4.95"



Non-Dimming Power Supply

MODEL	POWER	OUTPUT	DIMMING	LOCATION
PSV	96	24	U2ND	D
PSV - PSV Series	96 - 96 Watt	24 - 24 VDC	U2ND - Non Dimming	D - Damp

MODELS	96W
A Length	14.40"
B Width	5.20"
Depth	2.60"



Power Supply

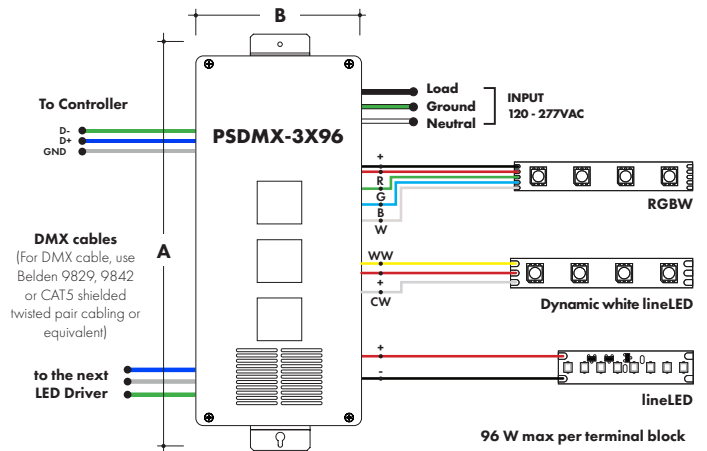
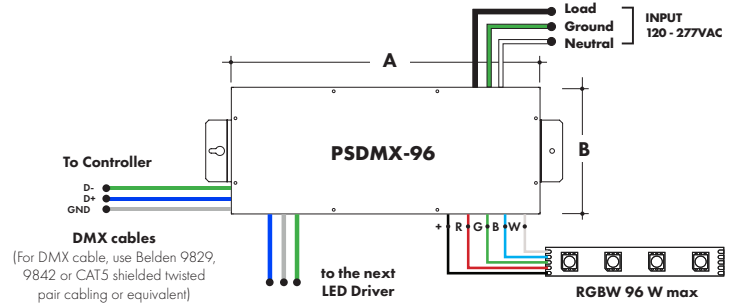
See fixture and power supply instructions & spec sheet for wiring information. Dimming possible in select models - view Luminii website for list of compatible dimmers.

DMX Dimming Power Supplies

MODEL	POWER	OUTPUT
PSDMX	96	24
PSDMX - DMX Power Supply	96 - 96 Watt 3X96 - 3 X 96 Watt	24 - 24 VDC

Features eldoLED's LINEARdrive configurable dimmable drivers

MODELS	96W	3X96
A Length	14.40"	15.75"
B Width	5.20"	6.62"
Depth	2.60"	4.95"

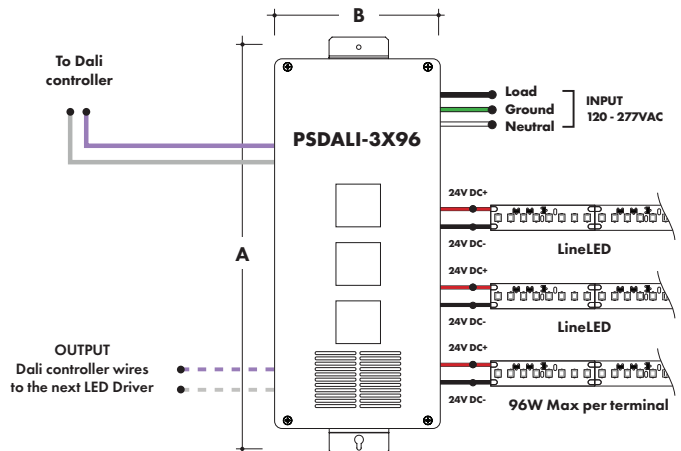
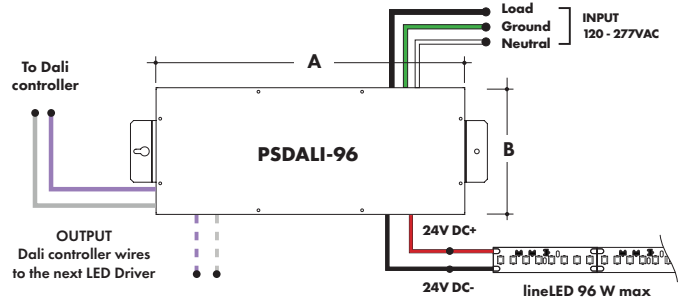


DALI Dimming Power Supplies

MODEL	POWER	OUTPUT
PSDALI	96	24
PSDALI - DALI Power Supply	96 - 96 Watt 3X96 - 3 X 96 Watt	24 - 24 VDC

dims down to 0%
Features eldoLED's LINEARdrive configurable dimmable drivers

MODELS	96W	3X96
A Length	14.40"	15.75"
B Width	5.20"	6.62"
Depth	2.60"	4.95"



Power Supply

See fixture and power supply instructions & spec sheet for wiring information. Dimming possible in select models - view Luminii website for list of compatible dimmers.



Luminii is a Lutron OEM Advantage Partner

MODEL

LTEA4U1UKL-CV240

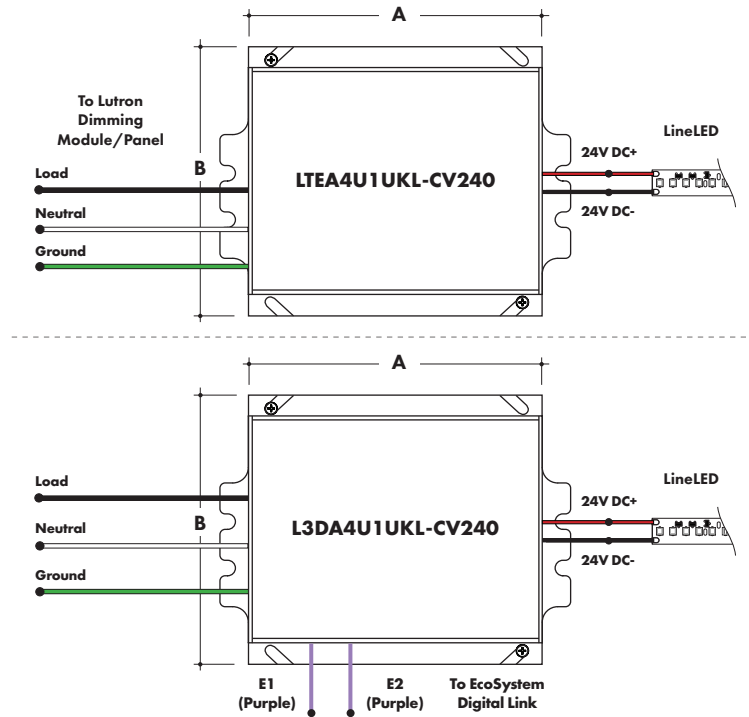
Lutron - HiLume™ 1% 2-wire LED Driver
(120V forward phase only)

MODEL

L3DA4U1UKL-CV240

HiLume™ 1% EcoSystem Voltage LED driver

MODELS	LTEA4U1UKL-CV240	L3DA4U1UKL-CV240
A Length	4.89"	4.98"
B Width	4.00"	4.00"
Depth	2.62"	2.62"



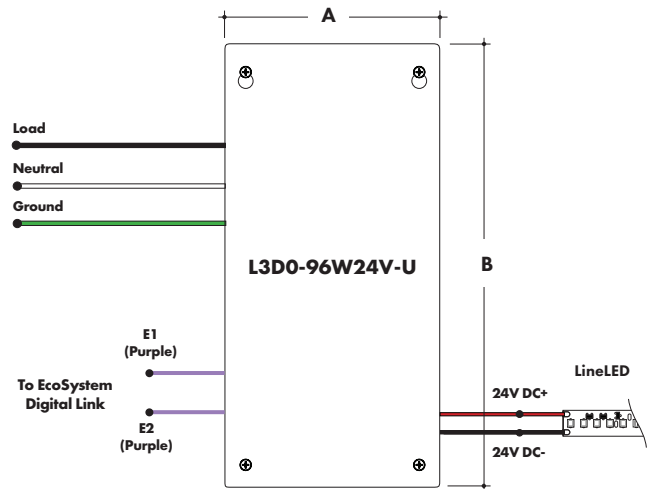
Luminii is a Lutron OEM Advantage Partner

MODEL

L3D0-96W24V-U

HiLume™ 0.1% EcoSystem Voltage LED Driver with Soft-On, Fade-to-Black™

MODELS	L3D0
A Length	10.50"
B Width	5.50"
Depth	2.00"



Power Supply

See fixture and power supply instructions & spec sheet for wiring information. Dimming possible in select models - view Luminii website for list of compatible dimmers.

In ground, Electronic Low Voltage Dimming Power Supplies

MODEL	POWER	OUTPUT	INPUT
IG - CVE	96X2	24	Blank - 120 V 277 - 240/277 V
IG - In ground CVE Series	96X2 - 2 X 96 Watt	24 - 24 VDC	
CVE - ELV Dimming DALI - eldoLED Dali dimming Both dims down to 0.1%			

MODELS	Dual Circuit
A Length	8.40"
B Width	8.30"
Depth	8.10"

