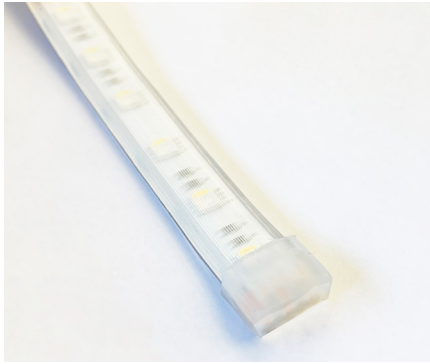


LineLED RGB & RGBW Series Wet Tube

IP65 & IP68 rated Linear LED strip



LineLED RGB & RGBW Wet Tube is a new small profile, more energy efficient LED strip for wet locations. The LineLED RGB & RGBW Wet Tube has superior light output, a durable but flexible circuit board and it is very easy to install.

Due to the sealing bond needed to guarantee the wet-rating, exact lengths are required to order the LineLED Wet Tube. Extending and turning corners in the field require custom production.

Mounting
LED strip is equipped with 3M™ VHB™ adhesive transfer tape.

Operating voltage
24 VDC

Average life
50,000 hours

Warranty
3 years



Applications: outdoor / wet location, above cabinet, cove lighting, counter accent, architectural accents, under banisters, decks, gazebos, barbeque stations and wet bars.

Approvals
IP65 & IP68 rated

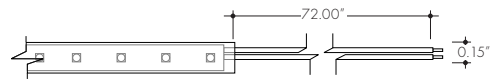
Beam Angle
120°

Technical information

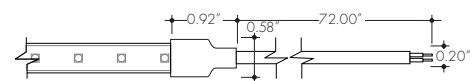
MODEL	RGB	RGBW
LEDs/ft	18	18
Light output	161 lum/ft	230 lum/ft
Average power consumption (for 15' section)	3.9 W/ft	4.9 W/ft
Amperage load at maximum run	4.0 A	4.0 A
Cutting increment	4.00"	4.00"
Maximum run length (in series)	30 ft	20 ft
Profile Dimensions W/ connector dimensions, see line drawing	0.47" W 0.24" H	0.52" W 0.24" H

SECTION START/END OPTIONS

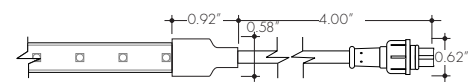
72" Soldered leads (SL65)



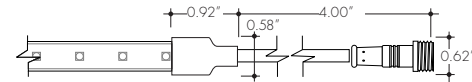
72" Soldered leads (SL68)



Female quick connect end (F)



Male quick connect end (M)



No connector (NC)
IP65 model only



No connector (NC)
IP68 model only



Ordering code

MODEL	ENCLOSURE	COLOR	SECTION START	SECTION END	LENGTH
LLX18WET	T	RGB	SL68	NC	
LLX18WET	T - Tube	RGB - Red, Green, & Blue RGBW - Red, Green, Blue, & White	SL65 - IP65 Soldered lead wires (72") SL68 - IP68 Soldered lead wires (72") F - Female connector M - Male connector NC - No connector	SL65 - IP65 Soldered lead wires (72") SL68 - IP68 Soldered lead wires (72") F - Female connector M - Male connector NC - No connector	view table above for increment options and maximum run limits

LineLED RGB & RGBW Series Wet Tube

IP65 & IP68 rated Linear LED strip



Power consumption per linear foot*

* with all 4 circuits at full brightness

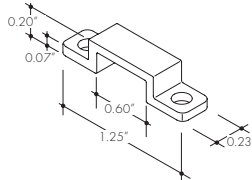
RGB					
Length of Strip (LF)	W/ft	Total wattage	Length of Strip (LF)	W/ft	Total wattage
1	4.60	4.60	21	3.55	74.55
2	4.55	9.10	22	3.45	75.90
3	4.50	13.50	23	3.40	78.20
4	4.45	17.80	24	3.35	80.40
5	4.40	22.00	25	3.30	82.50
6	4.35	26.10	26	3.25	84.50
7	4.30	30.10	27	3.15	85.05
8	4.25	34.00	28	3.10	86.80
9	4.20	37.80	29	3.05	88.45
10	4.15	41.50	30	3.00	90.00
11	4.10	45.10			
12	4.05	48.60			
13	4.00	52.00			
14	3.95	55.30			
15	3.90	58.50			
16	3.85	61.60			
17	3.75	63.75			
18	3.70	66.60			
19	3.65	69.35			
20	3.60	72.00			

RGBW		
Length of Strip (LF)	W/ft	Total wattage
1	5.65	5.65
2	5.65	11.30
3	5.65	16.95
4	5.60	22.40
5	5.50	27.50
6	5.45	32.70
7	5.35	37.45
8	5.30	42.40
9	5.25	47.25
10	5.20	52.00
11	5.15	56.65
12	5.10	61.20
13	5.05	65.65
14	4.95	69.30
15	4.85	72.75
16	4.75	76.00
17	4.60	78.20
18	4.50	81.00
19	4.40	83.60
20	4.30	86.00

Accessories

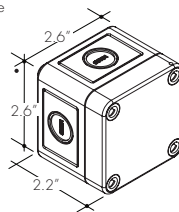
Mounting clip:
recommended at every 12" when
LineLED strip is facing down.

Part # CL-2



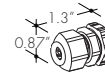
Splice Box:
Wet rated, low voltage
splice box, gray

Part # LVSP-WET



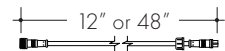
Connector:
low voltage splice box wet cable
management gray

Part # LVSP-WET-CM



Male/Female Joiner:
Linking and extension cable in 12" or 48"

Part # IP68-RGB-12
IP68-RGB-48



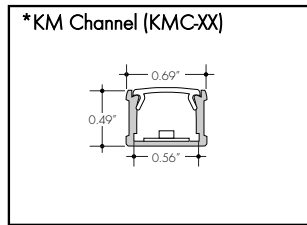
LineLED RGB & RGBW Series Wet Tube

IP65 & IP68 rated Linear LED strip

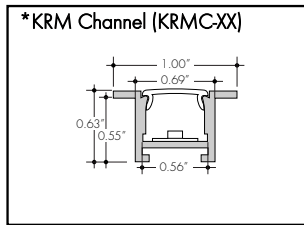


Lens options / light transmission percentage per lens

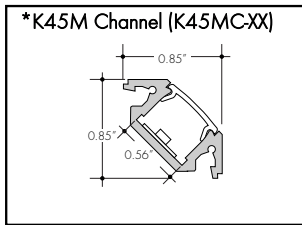
- | | | | | | |
|------------------|------------------------------|-----------------|---------------------------------|---------------------------------|---------------------------------|
| C Clear | HF Half (50%) Frosted | G Graze | SI Satin Ice | S Square Frosted | Q Rounded Square Frosted |
| F Frosted | M Medium beam frosted | R Raised | C36 Clear 36° beam angle | C10 Clear 10° beam angle | |



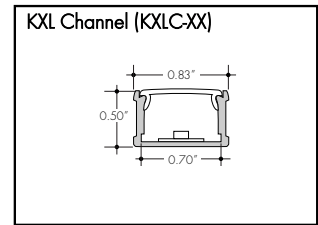
- | | | | | |
|----------|----------|-----------|------------|----------|
| C | F | HF | C10 | R |
| 71% | 42% | 58% | 67% | 39% |



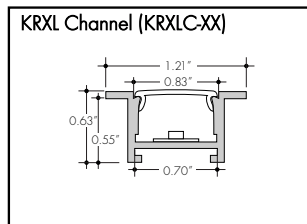
- | | | |
|----------|----------|-----------|
| C | F | HF |
| 71% | 42% | 58% |



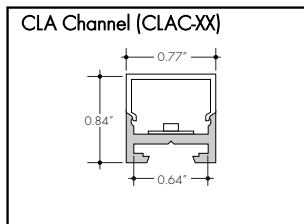
- | | | | |
|----------|----------|-----------|------------|
| C | F | HF | C10 |
| 71% | 42% | 58% | 67% |



- | | | |
|----------|----------|-----------|
| C | F | HF |
| 74% | 46% | 61% |



- | | | |
|----------|----------|-----------|
| C | F | HF |
| 74% | 46% | 61% |



- | | |
|----------|----------|
| S | Q |
| 62% | 63% |

*Not compatible with IP68 connectors

Discontinued Extrusion Reference Link

<https://www.luminii.com/media/4351/extrusion-update-02.pdf>

LineLED RGB & RGBW Series Wet Tube

IP65 & IP68 rated Linear LED strip



Power supply

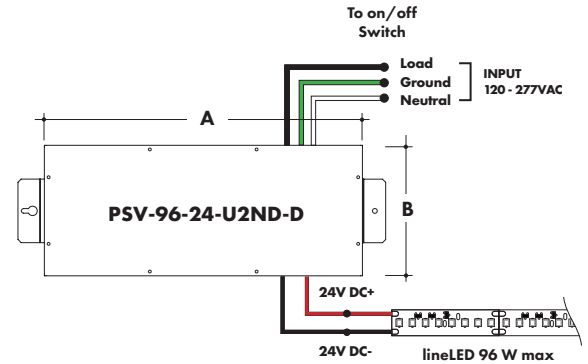
See fixture and power supply instructions & spec sheet for wiring information. Dimming possible in select models - view Luminii website for list of compatible dimmers.

Non-Dimming Power Supply

MODEL	POWER	OUTPUT	DIMMING	LOCATION
PSV	96	24	U2ND	D

PSV - PSV Series 96 - 96 Watt 24 - 24 VDC U2ND - Non Dimming D - Damp

MODELS	96W
A Length	14.40"
B Width	5.20"
Depth	2.60"



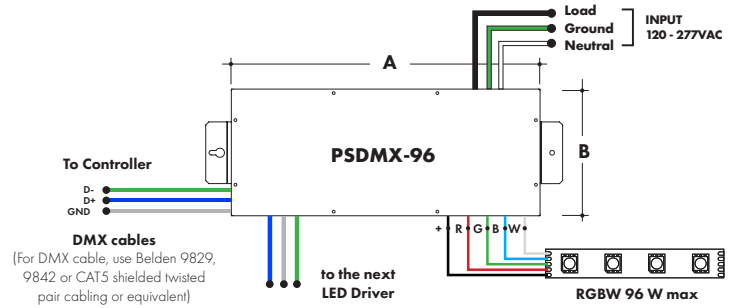
DMX Dimming Power Supplies

MODEL	POWER	OUTPUT
PSDMX	96	24

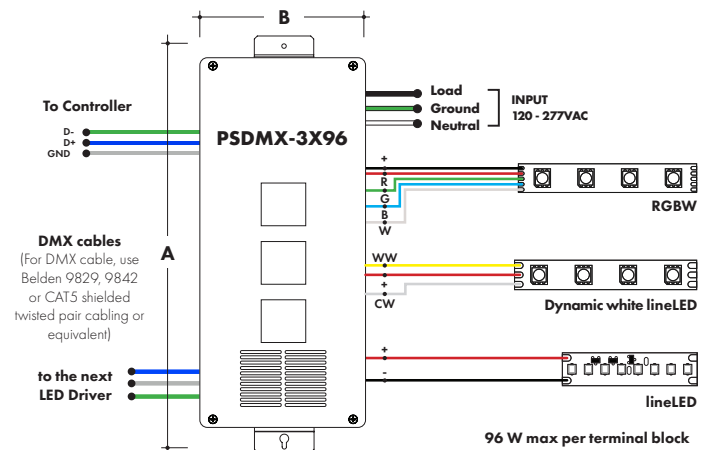
PSDMX - DMX Power Supply 96 - 96 Watt 24 - 24 VDC
 3X96 - 3 X 96 Watt

Features eldoLED's LINEARdrive configurable dimmable drivers

MODELS	96W	3X96
A Length	14.40"	15.75"
B Width	5.20"	6.62"
Depth	2.60"	4.95"



DMX cables
 (For DMX cable, use Belden 9829, 9842 or CAT5 shielded twisted pair cabling or equivalent)



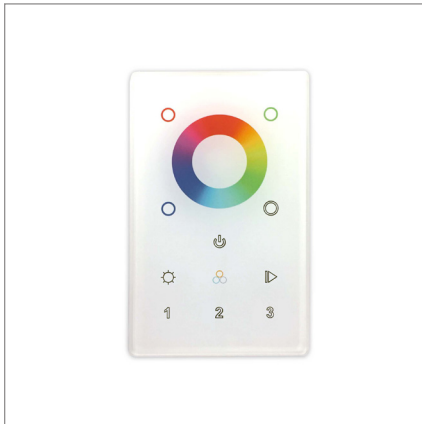
LineLED RGB & RGBW Series Wet Tube

IP65 & IP68 rated Linear LED strip



DMX-3Z-RGBW

RGBW LED 1 or 3 Zone Controller



ORDERING CODE

MODEL	ZONES	COLOR
DMX	3Z	RGBW

DMX - DMX Controller
3Z - Three Zone
1Z - One Zone
RGBW - Red, Green, Blue, & White

DMX /Wireless RGB-W wall-mount controller controls DMX lighting fixtures, wireless control of RGB-W lighting fixture or use both simultaneously. Fits in any standard US switch box. Includes all the outputs in the back of the controller.

Control brightness levels with a single touch, personalize and memorize 3 different scenes, and even create 3 variations of white.

Features

- 2 in 1 in-Wall Controller: DMX Control or Wireless RGB-W
- 65,000 Color Options, Dimming and Speed Control
- Memory Function
- 50 Foot Wireless Range
- Easily Fits Standard US Switch Boxes
- Touch Sensitive Glass Surface
- Includes 10 Built in Programs, or Create and Play Your Own

Operating voltage

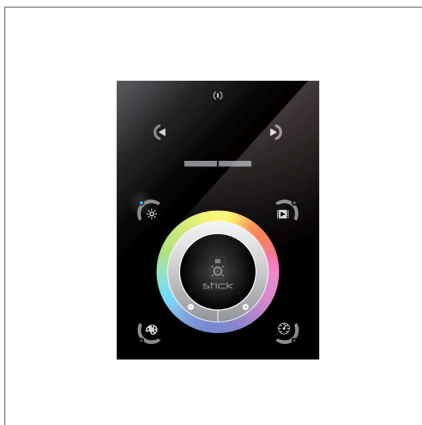
12 - 24V DC

Color parameters

- Brightness
- Saturation
- Primary colors
- Fading
- Color changing speed

Touch DMX Controller

Touchscreen digital LED controller



ORDERING CODE

MODEL

TSDMX-E

TSDMX-E - Touchscreen DMX controller

Programmable advanced DMX512 lighting controller featuring a touch-screen interface. Operates as stand alone controller or integrated with most architectural lighting control systems. Can controller endless DMX512 enabled devices.

Mounts to standard single or dual gang wall box with the included power supply inside the junction box. Terminal block design for power and data connections.

Features

- Sleek glass design which sits 0.43" from the wall
- Graphical color display to show selected environment
- Color/dimmer/speed palette
- Color temperature mixing
- Touch sensitive buttons. No mechanical parts
- Touch sensitive wheel allows for accurate color selection
- Multi-zone microSD memory
- Multi-room control with 500 scenes, 10 zones
- 1024 DMX channels. Control 340 RGB fixtures
- USB & Ethernet connectivity for programming and control

Power supply

7 VDC (included)

Programmability

PC, Mac, Tablet, Smartphone

Output signal

DMX512 (1024 channels)

Color parameters

- Brightness
- Saturation
- Speed of color changing sequence
- Fading / dimming / brightness

LineLED RGB & RGBW Series Wet Tube

IP65 & IP68 rated Linear LED strip

DMX decoder

DMX signal to RGBW decoder (required to operate DMX controller)



Translates controller DMX512 programs for RGB and white LED strips.

Unique DMX address for the decoder can be set easily and displayed by the numeric display on the case. Changing and resetting the DMX address requires manual input.

Use power repeater to expand output.

Operating voltage

12-36 VDC

Power capacity

up to 96W at 24V

Operating temperature range

from -4°F to +122°F in case

ORDERING CODE

MODEL

DDMX-RGBW

DDMX-RGBW - DMX decoder