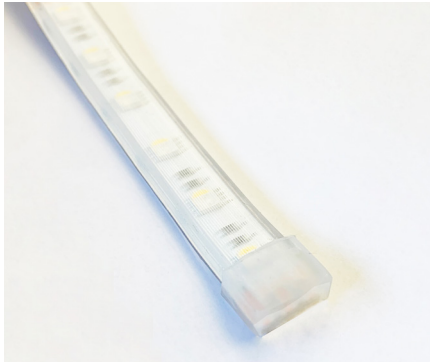


# LineLED RGB & RGBW Series Wet Tube

IP65 & IP68 rated Linear LED strip



LineLED RGB & RGBW Wet Tube is a new small profile, more energy efficient LED strip for wet locations. The LineLED RGB & RGBW Wet Tube has superior light output, a durable but flexible circuit board and it is very easy to install.

Due to the sealing bond needed to guarantee the wet-rating, exact lengths are required to order the LineLED Wet Tube. Extending and turning corners in the field require custom production.

**Mounting**  
 LED strip is equipped with 3M™ VHB™ adhesive transfer tape.

**Operating voltage**  
 24 VDC

**Average life**  
 50,000 hours

**Warranty**  
 3 years



Applications: outdoor / wet location, above cabinet, cove lighting, counter accent, architectural accents, under banisters, decks, gazebos, barbeque stations and wet bars.

**Approvals**  
 IP65 & IP68 rated

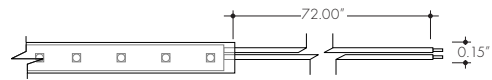
**Beam Angle**  
 120°

## Technical information

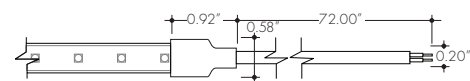
MODEL	RGB	RGBW
LEDs/ft	18	18
Light output	161 lum/ft	230 lum/ft
Average power consumption (for 15' section)	3.9 W/ft	4.9 W/ft
Amperage load at maximum run	4.0 A	4.0 A
Cutting increment	4.00"	4.00"
Maximum run length (in series)	30 ft	20 ft
Profile Dimensions W/ connector dimensions, see line drawing	0.47" W 0.24" H	0.52" W 0.24" H

### SECTION START/END OPTIONS

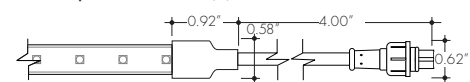
72" Soldered leads (SL65)



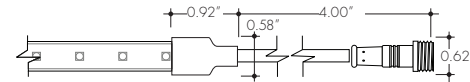
72" Soldered leads (SL68)



Female quick connect end (F)



Male quick connect end (M)



No connector (NC)  
IP65 model only



No connector (NC)  
IP68 model only



## Ordering code

MODEL	ENCLOSURE	COLOR	SECTION START	SECTION END	LENGTH
<b>LLX18WET</b>	<b>T</b>	<b>RGB</b>	<b>SL68</b>	<b>NC</b>	
LLX18WET	T - Tube	RGB - Red, Green, & Blue RGBW - Red, Green, Blue, & White	SL65 - IP65 Soldered lead wires (72") SL68 - IP68 Soldered lead wires (72") F - Female connector M - Male connector NC - No connector	SL65 - IP65 Soldered lead wires (72") SL68 - IP68 Soldered lead wires (72") F - Female connector M - Male connector NC - No connector	view table above for increment options and maximum run limits

# LineLED RGB & RGBW Series Wet Tube

IP65 & IP68 rated Linear LED strip



## Power consumption per linear foot\*

\* with all 4 circuits at full brightness

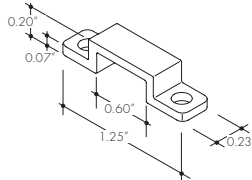
RGB					
Length of Strip (LF)	W/ft	Total wattage	Length of Strip (LF)	W/ft	Total wattage
1	4.60	4.60	21	3.55	74.55
2	4.55	9.10	22	3.45	75.90
3	4.50	13.50	23	3.40	78.20
4	4.45	17.80	24	3.35	80.40
5	4.40	22.00	25	3.30	82.50
6	4.35	26.10	26	3.25	84.50
7	4.30	30.10	27	3.15	85.05
8	4.25	34.00	28	3.10	86.80
9	4.20	37.80	29	3.05	88.45
10	4.15	41.50	30	3.00	90.00
11	4.10	45.10			
12	4.05	48.60			
13	4.00	52.00			
14	3.95	55.30			
15	3.90	58.50			
16	3.85	61.60			
17	3.75	63.75			
18	3.70	66.60			
19	3.65	69.35			
20	3.60	72.00			

RGBW		
Length of Strip (LF)	W/ft	Total wattage
1	5.65	5.65
2	5.65	11.30
3	5.65	16.95
4	5.60	22.40
5	5.50	27.50
6	5.45	32.70
7	5.35	37.45
8	5.30	42.40
9	5.25	47.25
10	5.20	52.00
11	5.15	56.65
12	5.10	61.20
13	5.05	65.65
14	4.95	69.30
15	4.85	72.75
16	4.75	76.00
17	4.60	78.20
18	4.50	81.00
19	4.40	83.60
20	4.30	86.00

## Accessories

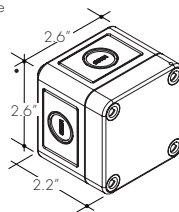
Mounting clip:  
recommended at every 12" when  
LineLED strip is facing down.

Part # CL-2



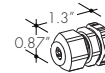
Splice Box:  
Wet rated, low voltage  
splice box, gray

Part # LVSP-WET



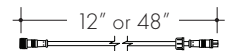
Connector:  
low voltage splice box wet cable  
management gray

Part # LVSP-WET-CM



Male/Female Joiner:  
Linking and extension cable in 12" or 48"

Part # IP68-RGB-12  
IP68-RGB-48



# LineLED RGB & RGBW Series Wet Tube

IP65 & IP68 rated Linear LED strip



Clear



Half (50%)  
Frosted



Graze



Satin Ice



Square  
Frosted



Round Square  
Frosted



Frosted



Medium Beam  
Frosted



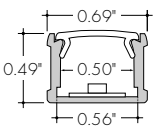
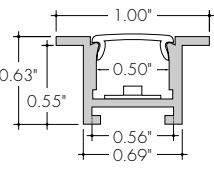
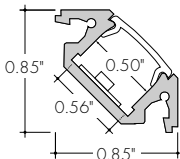
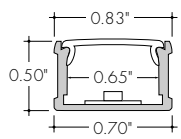
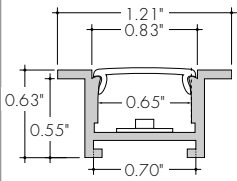
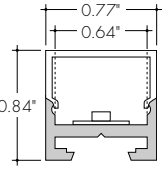
Raised



Clear 36°  
Beam Angle



Clear 10°  
Beam Angle

<p><b>KM Channel* **</b> (KMC-XX)</p>  <p><b>C</b> <b>F</b> <b>HF</b> <b>C10</b> <b>R</b> 71% 42% 58% 67% 39%</p>	<p><b>KRM Channel* **</b> (KRMC-XX)</p>  <p><b>C</b> <b>F</b> <b>HF</b> 71% 42% 58%</p>	<p><b>K45M Channel* **</b> (K45MC-XX)</p>  <p><b>C</b> <b>F</b> <b>HF</b> <b>C10</b> 71% 42% 58% 67%</p>	<p><b>KXL Channel</b> (KXLC-XX)</p>  <p><b>C</b> <b>F</b> <b>HF</b> 74% 46% 61%</p>	<p><b>KRXL Channel</b> (KRXLC-XX)</p>  <p><b>C</b> <b>F</b> <b>HF</b> 74% 46% 61%</p>
<p><b>CLA Channel</b> (CLAC-XX)</p>  <p><b>S</b> <b>Q</b> 62% 63%</p>				

\* Not compatible with IP68 connectors

\*\* Not compatible with RGBW

## Discontinued Extrusion Reference Link

<https://www.luminii.com/media/4351/extrusion-update-02.pdf>

# LineLED RGB & RGBW Series Wet Tube

IP65 & IP68 rated Linear LED strip



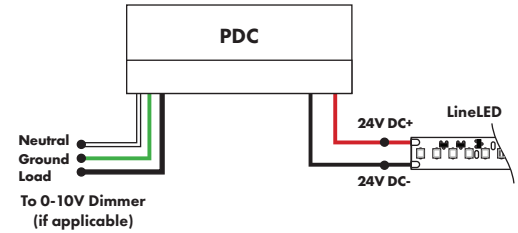
## Power Supplies

See fixture and power supply instructions & spec sheet for wiring information. Dimming possible in select models - view Luminii website for list of compatible dimmers.

### Triac, MLV, ELV, & PWM Compatible Dimmers

MODEL	POWER	OUTPUT
PDC - (IP20) Power Supply	96 - 96 Watts	24 - 24 VDC

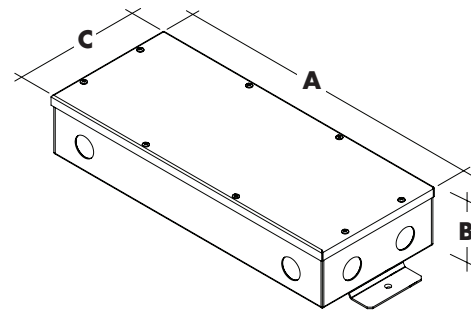
MODELS	96W
Length	8.25"
Width	4.10"
Depth	1.56"



### 0-10V Warm Dimming 0% Power Supply 120VAC - 277VAC (for warm dimming of DW52 Dynamic White option)

MODEL	POWER	OUTPUT
PS010WD - 0-10 Warm dim LED Power Supply	96 - 96 Watt	24 - 24 VDC

Requires a 0-10V controller to work properly



### 0-10V Tunable White 0% Dimming Power Supply 120VAC - 277VAC (for tunable white control of DW52 Dynamic White option)

MODEL	POWER	OUTPUT
PS010TW - 0-10 Tunable White LED Driver	96 - 96 Watt	24 - 24 VDC

Requires two 0-10V controllers to work properly

MODELS	PS010TW
A Length	14.40"
B Width	2.60"
C Depth	5.20"

### Customizable Dim to Warm or Variable White via 0 - 10V (for tunable white or warm dimming control of DW52 Dynamic option)

MODEL	POWER	OUTPUT	CONTROL
PS010V - 0-10 LED Driver	96 - 96 Watt	24 - 24 VDC	

- WW - Standard One Channel - Dim To Warm Curve
- W2C - Standard Two Channel - Dim 1: Intensity; Dim 2: CCT
- W21 - Standard Two Channel - Dim 1: Warm Channel Intensity; Dim 2: Cool Channel Intensity
- W1X - Custom One Channel - Dim To Warm Curve
- W2X - Custom two Channel - Dim 1: Intensity; Dim 2: CCT

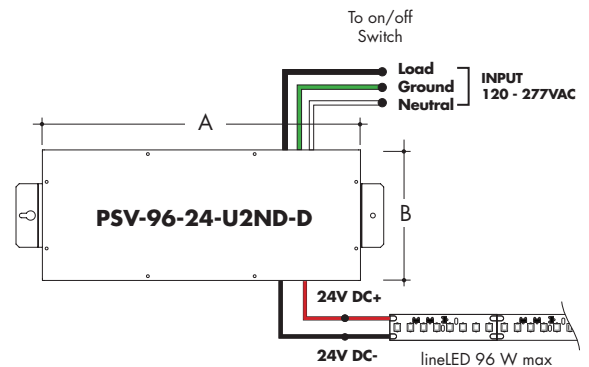
Requires a 0-10V controller to work properly

### Non-Dimming Power Supply 120VAC - 277VAC

MODEL	POWER	OUTPUT	DIMMING	LOCATION
PSV - PSV Series	96 - 96 Watt	24 - 24 VDC	U2ND - Non Dimming	D - Dry location

Requires a controller and a decoder to work properly

MODELS	96W
A Length	14.40"
B Width	5.20"
Depth	2.60"



# LineLED RGB & RGBW Series Wet Tube

IP65 & IP68 rated Linear LED strip



## Power Supplies

See fixture and power supply instructions & spec sheet for wiring information. Dimming possible in select models - view Luminii website for list of compatible dimmers.

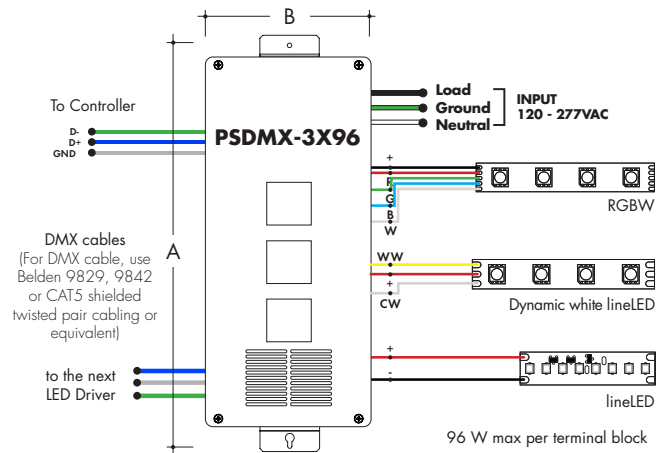
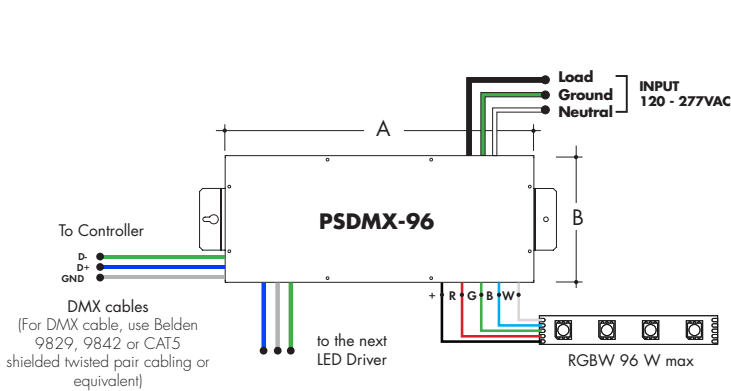
### DMX 0% Dimming Power Supplies 120VAC - 277VAC

MODEL	POWER	OUTPUT
PSDMX-DMX Power Supply dims down to 0%	96 - 96 Watt 3X96 - 3 X 96 Watt	24-24 VDC

Features eldoLED's LINEARdrive configurable dimmable drivers.

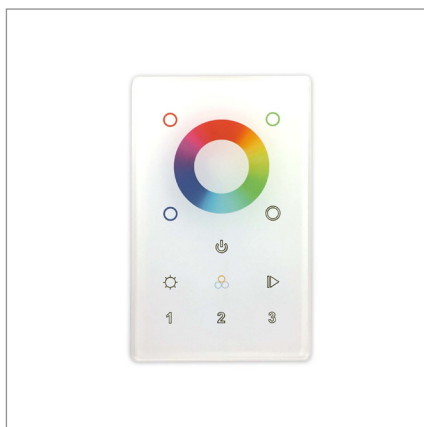
DDMX-RGBW DMX Decoder not required when purchasing this power supply.

MODELS	96W	3X96
<b>A Length</b>	14.40"	15.75"
<b>B Width</b>	5.20"	6.62"
<b>Depth</b>	2.60"	4.95"



## DMX-1Z-RGBW, DMX-3Z-RGBW

RGBW LED 1 or 3 Zone Controller



ORDERING CODE

MODEL	ZONES	COLOR
DMX - DMX Controller	3Z - Three Zone 1Z - One Zone	RGBW - Red, Green, Blue, & White

DMX /Wireless RGB-W wall-mount controller controls DMX lighting fixtures, wireless control of RGB-W lighting fixture or use both simultaneously. Fits in any standard US switch box. Includes all the outputs in the back of the controller.

Control brightness levels with a single touch, personalize and memorize 3 different scenes, and even create 3 variations of white.

### Features

- 2 in 1 in-Wall Controller: DMX Control or Wireless RGB-W
- 65,000 Color Options, Dimming and Speed Control
- Memory Function
- 50 Foot Wireless Range
- Easily Fits Standard US Switch Boxes
- Touch Sensitive Glass Surface
- Includes 10 Built in Programs, or Create and Play Your Own

### Operating Voltage

12 - 24V DC

### Color Parameters

- Brightness
- Saturation
- Primary colors
- Fading
- Color changing speed

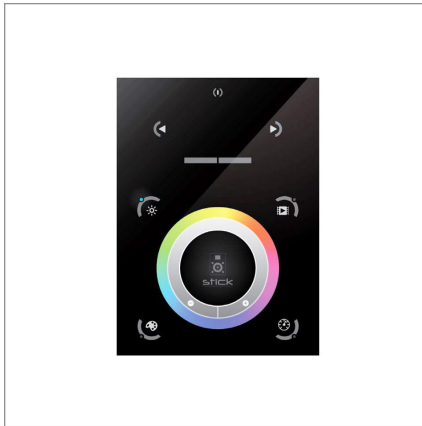
# LineLED RGB & RGBW Series Wet Tube

IP65 & IP68 rated Linear LED strip



## Touch DMX Controller

Touchscreen digital LED controller



ORDERING CODE

MODEL

**TSDMX-E**

TSDMX-E - Touchscreen DMX controller

Programmable advanced DMX512 lighting controller featuring a touch-screen interface. Operates as stand alone controller or integrated with most architectural lighting control systems. Can control endless DMX512 enabled devices.

Mounts to standard single or dual gang wall box with the included power supply inside the junction box. Terminal block design for power and data connections.

### Features

- Sleek glass design which sits 0.43" from the wall
- Graphical color display to show selected environment
- Color/dimmer/speed palette
- Color temperature mixing
- Touch sensitive buttons. No mechanical parts
- Touch sensitive wheel allows for accurate color selection
- Multi-zone microSD memory
- Multi-room control with 500 scenes, 10 zones
- 1024 DMX channels. Control 340 RGB fixtures
- USB & Ethernet connectivity for programming and control

### Power Supply

7 VDC (included)

### Programmability

PC, Mac, Tablet, Smartphone

### Output Signal

DMX512 (1024 channels)

### Color Parameters

- Brightness
- Saturation
- Speed of color changing sequence
- Fading / dimming / brightness

## DMX Decoder

DMX signal to RGBW decoder (required to operate DMX controller)



ORDERING CODE

MODEL

**DDMX-RGBW**

DDMX-RGBW - DMX decoder

Translates controller DMX512 programs for RGB and white LED strips.

Unique DMX address for the decoder can be set easily and displayed by the numeric display on the case. Changing and resetting the DMX address requires manual input.

Use power repeater to expand output.

### Operating Voltage

12-36 VDC

### Power Capacity

up to 96W at 24V

### Operating Temperature Range

from -4°F to +122°F in case