

Line LED LLX series is a small profile high performance LED strip. The durable, but flexible products feature a heavier copper board core for better heat dissipation and even illumination over long runs.

Available in a single row configuration ranging from 18 to 22 LEDs per foot with multiple power feed and connector options. Line LED LLX series feature outstanding color consistency with single binning and CRI up to 94.

Mounting

LED strip is equipped with 3M™ adhesive transfer tape (9472LE). The strip must be adhered to either a Luminii aluminum profile or an unpainted aluminum surface. For other surfaces the HST Aluminum heat sink tape will be required to reach the rated 50,000 hours average life.

Operating voltage
24 VDC

Applications

Indoor only - above and below cabinets, cove lighting, counter accent, architectural reveals, under banister, display and book cases, etc.

Approvals

Class 2 damp listed

Average life
50,000 hours

Warranty
5 years



Technical information

MODEL:	LLX18	LLX22
LEDS/ft	18	22
Light output (3000K)	390 lum/ft	446 lum/ft
Average power consumption (for 15' section)	4.3 W/ft	4.6 W/ft
Ordering increment	4.00"	1.13"
Pitch length	0.66"	0.55"
Maximum run length (in series)	25'	20'
Dimensions	0.39" W 0.08" H	0.39" W 0.09" H

CCT INFO/LUMEN MULTIPLIER		TM-30-15			
CCT	Multiplier (referenced from 3000K)	CRI	R _f	R _g	R ₉
2700K	0.85	98	94	101	90
2900K	0.89	98	94	102	94
3000K	1.00	96	95	104	95
3500K	1.07	97	94	104	98
4100K	1.35	92	87	96	66

SECTION START/END OPTIONS

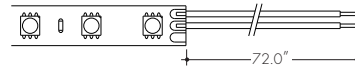
M - Male connector



F - Female connector



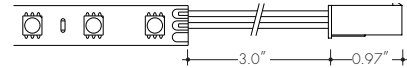
SL - Soldered lead wire (72")



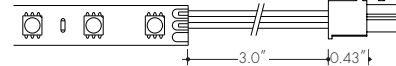
NC - No connector



LM - Power Feed lead Male 3" cable



LF - Power Feed lead Female 3" cable

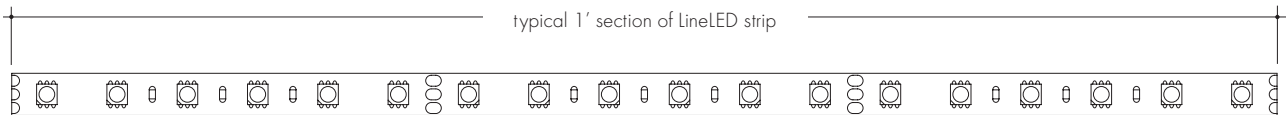


Ordering code

MODEL	CCT	SECTION START	SECTION END	LENGTH
LLX18 LLX22	27K	F	M	
	27K - 22700K 29K - 2900K 30K - 3000K 35K - 3500K 41K - 4100K	F - Female connector M - Male Connector SL - Soldered lead wires (72") LF - Lead female LM - Lead male NC - No connector	F - Female connector M - Male Connector SL - Soldered lead wires (72") LF - Lead female LM - Lead male NC - No connector	view table above for increment options and maximum run limits

Power consumption per linear foot - loads tested with PSD series of power supplies (page 5)

Length of strip (LF)	LLX18		LLX22	
	W/ft	Total wattage	W/ft	Total wattage
1	5.00	5.00	5.60	5.60
2	4.95	9.90	5.55	11.10
3	4.90	14.70	5.50	16.50
4	4.85	19.40	5.45	21.80
5	4.80	24.00	5.40	27.00
6	4.75	28.50	5.35	32.10
7	4.70	32.90	5.25	36.70
8	4.65	37.20	5.20	41.60
9	4.60	41.40	5.10	45.90
10	4.55	45.50	5.00	50.00
11	4.50	49.50	4.95	54.45
12	4.45	53.40	4.85	58.20
13	4.40	57.20	4.80	62.40
14	4.35	60.90	4.70	65.80
15	4.30	64.50	4.60	69.00
16	4.25	68.00	4.50	72.00
17	4.20	71.40	4.45	75.65
18	4.15	74.70	4.40	79.20
19	4.10	77.90	4.35	82.65
20	4.05	81.00	4.30	86.00
21	4.00	84.00		
22	3.95	86.90		
23	3.90	89.70		
24	3.85	92.40		
25	3.80	95.00		



Lens options / light transmission percentage per lens

- | | | | | | | | | | | |
|-------------------|------------------------------------|-------------------|------------------------|-------------------------------|-------------------------------------|---------------------|------------------------------------|--------------------|---------------------------------------|---------------------------------------|
| C
Clear | HF
Half (50%)
Frosted | G
Graze | SI
Satin Ice | S
Square
Frosted | Q
Round Square
Frosted | F
Frosted | M
Medium Beam
Frosted | R
Raised | C36
Clear 36°
Beam Angle | C10
Clear 10°
Beam Angle |
|-------------------|------------------------------------|-------------------|------------------------|-------------------------------|-------------------------------------|---------------------|------------------------------------|--------------------|---------------------------------------|---------------------------------------|

KS Channel (KSC-XX) C 85% F 55% HF 72% C36 83% R 51%	KM Channel (KMC-XX) C 71% F 42% HF 58% C10 67% R 39%	K45V Channel (K45VC-XX) C 71% F 42% HF 58% C10 67%	K45R Channel (K45RC-XX) F 42%	BOS Channel (BOSC-XX) F 43% SI 56% R 46% G 67%
KL Channel (KLC-XX) C 83% F 55% HF 68%	KXL Channel (KXLC-XX) C 74% F 46% HF 61%	CLA Channel (CLAC-XX) S 62% Q 63%	ALC Channel (ALC-XX) C 79% F 58% HF 69%	KRS Channel (KRSC-XX) C 85% F 55% HF 72%
KRM Channel (KRMC-XX) C 71% F 42% HF 58%	KRL Channel (KRLC-XX) C 83% F 55% HF 68%	KRXL Channel (KRXLC-XX) C 74% F 46% HF 61%	Wall+ Channel (WPC-XX) C 47% F 44%	RO Channel (RO-XX) C 75% F 52%
ALS20 Channel (ALS20-XX) C 78% F 43%	FL Channel (FL-XX) C 85% F 63% HF 75%			

Installation

All mounting channels are field cuttable using miter saw with circular blade suitable for cutting aluminum.

Ordering

Extrusions are sold separately. View respective specsheets for details on ordering extrusions and their accessories (endcaps, mounting brackets, etc).

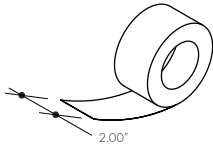
Discontinued Extrusion Reference Link

<https://www.luminii.com/media/4351/extrusion-update-02.pdf>

Accessories

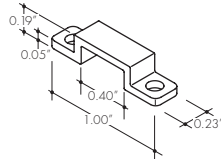
Part # HST

Heat sink tape:
included with LineLED strip when
no extrusions are ordered.



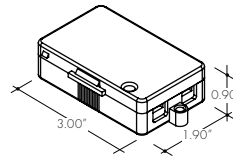
Part # CL-1

Mounting clip:
recommended at every 12" when
LineLED strip is facing down.



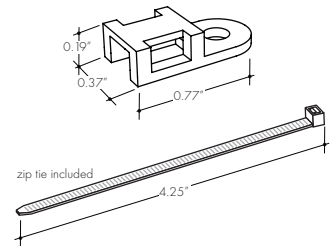
Part # LVSP-4T-BK

Splice Box:
low voltage, 4 terminal splice box, black.



Part # LL.ZIP

Strain Relief Clip



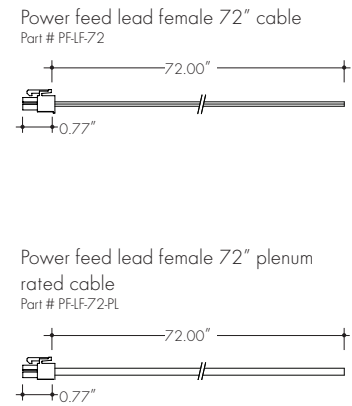
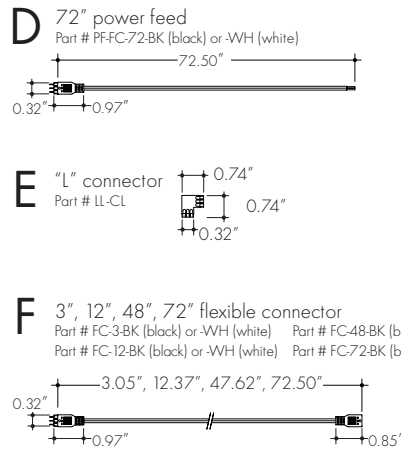
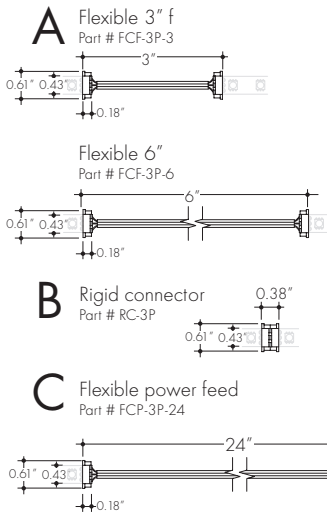
Connectors

Field-cut connectors A,B,C

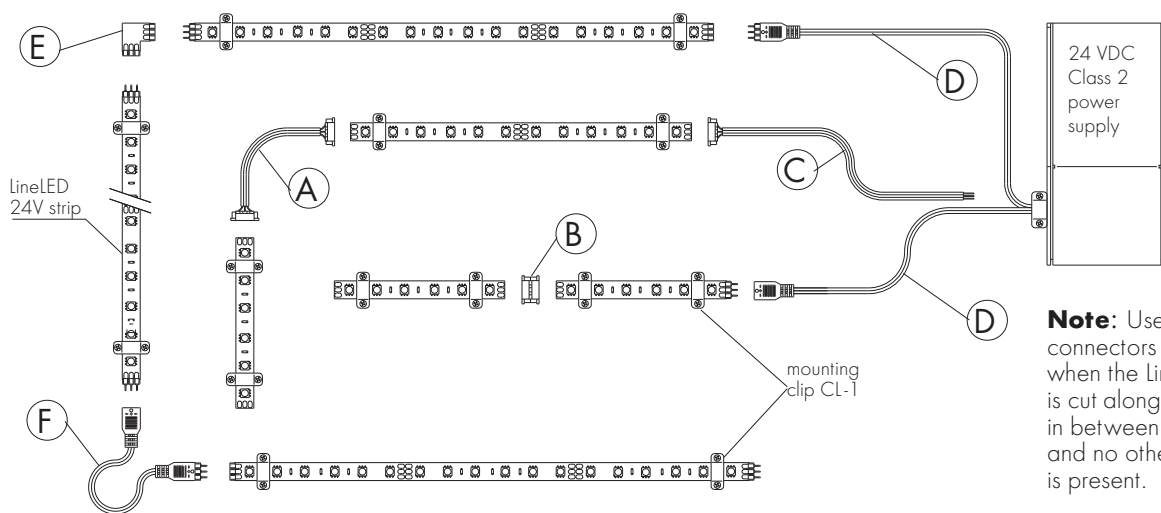
(Reference dimensions below to determine if connector will fit inside of your extrusion. If so surface with contact of connector & extrusion must be insulated to prevent an electrical short)

3-pin connectors D,E,F

(Reference dimensions below to determine if connector will fit inside of your extrusion. Connectors will not fit inside of the KSC, KRSC, BOSCO, & ALC Channel)



Sample layout with connectors



Note: Use field-cut connectors (A,B,C) when the LineLED strip is cut along cutting lines in between solder pads and no other connector is present.

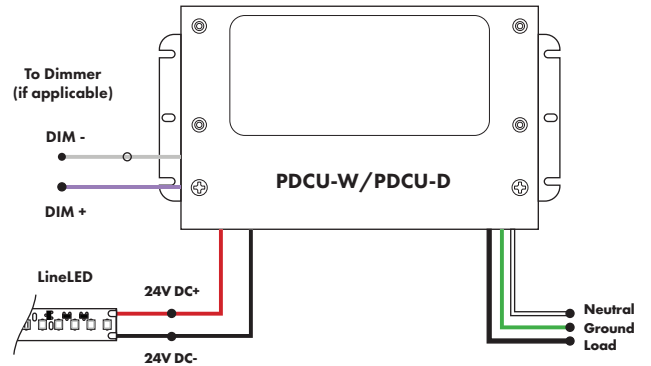
Power Supply

See fixture and power supply instructions & spec sheet for wiring information. Dimming possible in select models - view Luminii website for list of compatible dimmers.

Universal Power Supply

MODEL	POWER	OUTPUT
PDCU-W	96	24
PDCU-W - IP66 Wet Series	96 - 96 W 3X96 - 3X96 W	24 - 24 VDC
PDCU-D - IP20 Dry Series	30 - 30 W 60 - 60 W 96 - 96 W 3X96 - 3X96 W	

0-10V - 1% dimming
MLV/ELV/TRIAC - 1% dimming, consult dimming compatibility chart
Compatibility:
View a complete list of compatible dimmers on product page ([Link](#))

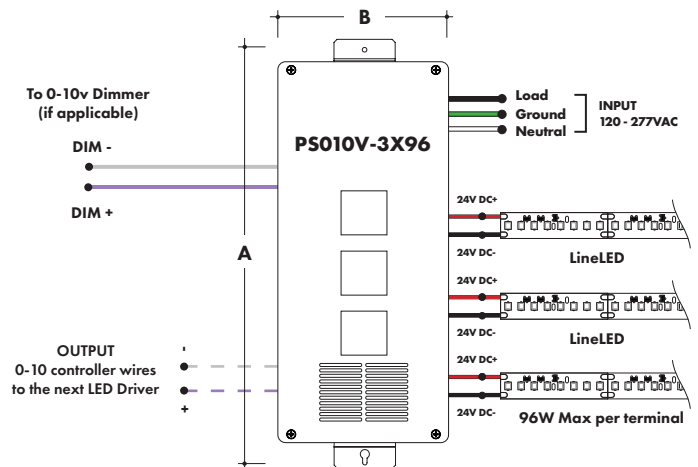
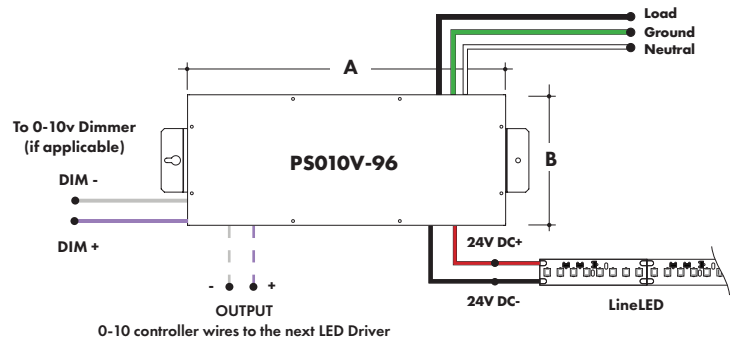


MODELS	PDCU-W 96W	PDCU-W 3X96W	PDCU-D 30W	PDCU-D 60W	PDCU-D 96W	PDCU-D 3X96W
A Length	8.66"	11.85"	6.10"	7.93"	8.25"	9.57"
B Width	3.73"	4.32"	3.35"	3.35"	4.10"	5.94"
Depth	1.61"	1.81"	1.33"	1.32"	1.56"	1.13"

0-10V Dimming Power Supplies

MODEL	POWER	OUTPUT	DIMMING
PS010V	96	24	LIN
PS010V - 0-10V Power Supply dims down to 0%	96 - 96 Watt 3X96 - 3 X 96 Watt	24 - 24 VDC	LIN - Linear LOG - Logarithmic

MODELS	96W	3X96
A Length	14.40"	15.75"
B Width	5.20"	6.62"
Depth	2.60"	4.95"



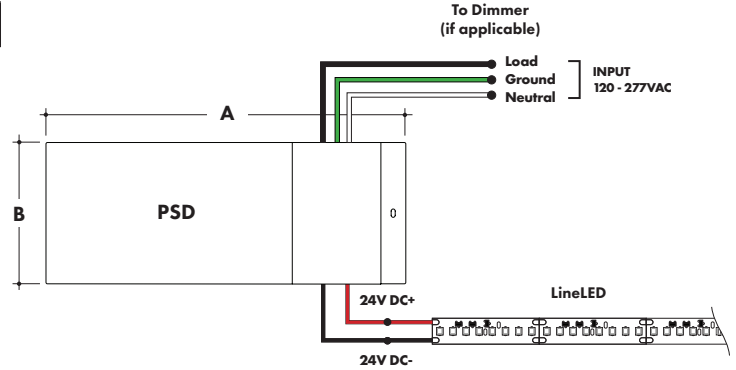
Power Supply

See fixture and power supply instructions & spec sheet for wiring information. Dimming possible in select models - view Luminii website for list of compatible dimmers.

Magnetic Low Voltage Dimming Power Supplies

MODEL	POWER	OUTPUT	INPUT
PSD	48	24	
PSD - PSD Series dims down to 0%	48 - 48 Watt 96 - 96 Watt 288 - 288 Watt (3 x 96Watt)	24 - 24 VDC	Blank - 120 V 240 - 240 V 277 - 277 V

MODELS	48W	96W	288W
A Length	11.25"	11.25"	13.06"
B Width	3.42"	3.42"	8.42"
Depth	3.42"	3.27"	4.47"

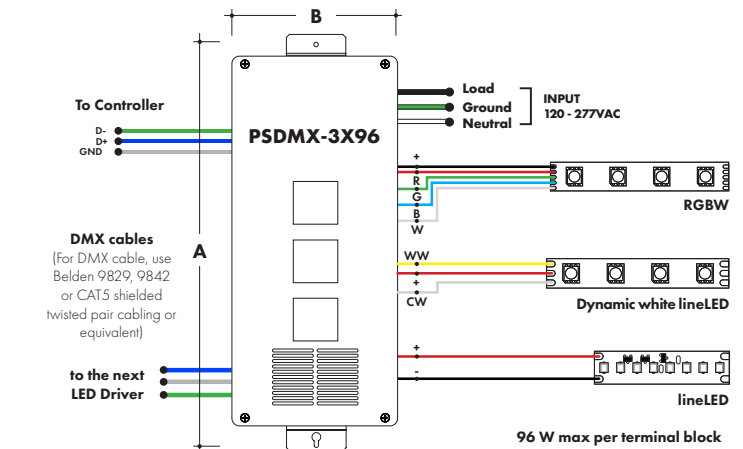
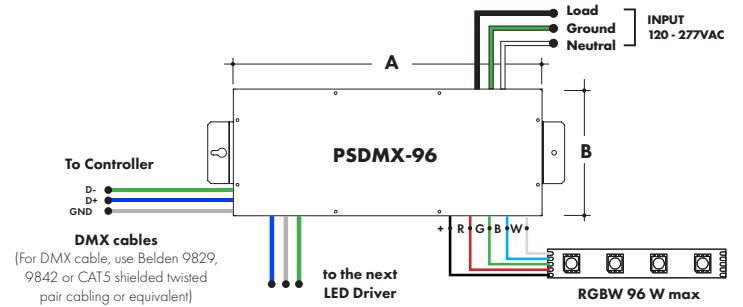


DMX Dimming Power Supplies

MODEL	POWER	OUTPUT
PSDMX	96	24
PSDMX - DMX Power Supply	96 - 96 Watt 3X96 - 3 X 96 Watt	24 - 24 VDC

Features eldoLED's LINEARdrive configurable dimmable drivers

MODELS	96W	3X96
A Length	14.40"	15.75"
B Width	5.20"	6.62"
Depth	2.60"	4.95"



Power Supply

See fixture and power supply instructions & spec sheet for wiring information. Dimming possible in select models - view Luminii website for list of compatible dimmers.

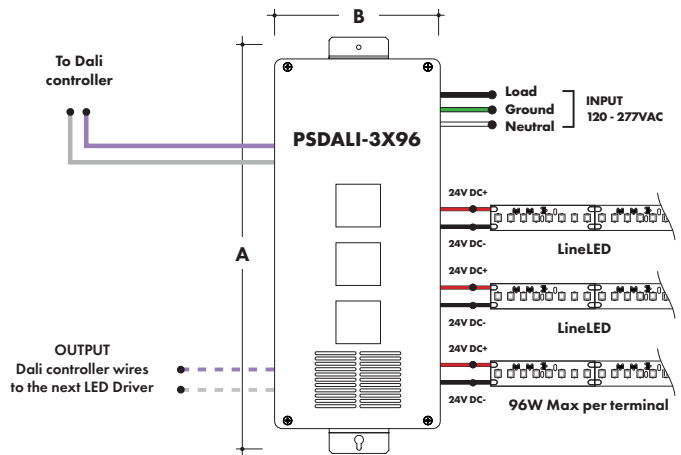
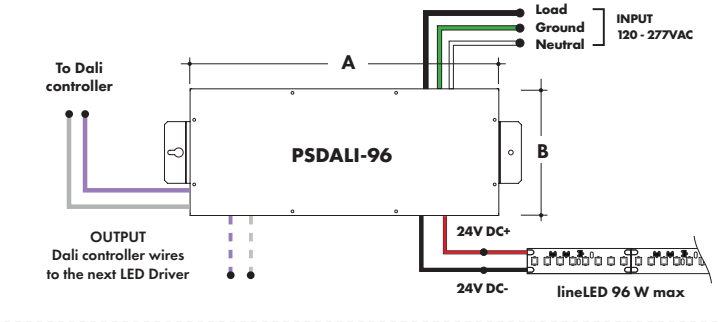
DALI Dimming Power Supplies

MODEL	POWER	OUTPUT
PSDALI	96	24

PSDALI - DALI Power Supply
dims down to 0%
96 - 96 Watt
3X96 - 3 X 96 Watt
24 - 24 VDC

Features eldoLED's LINEARdrive configurable dimmable drivers

MODELS	96W	3X96
A Length	14.40"	15.75"
B Width	5.20"	6.62"
Depth	2.60"	4.95"

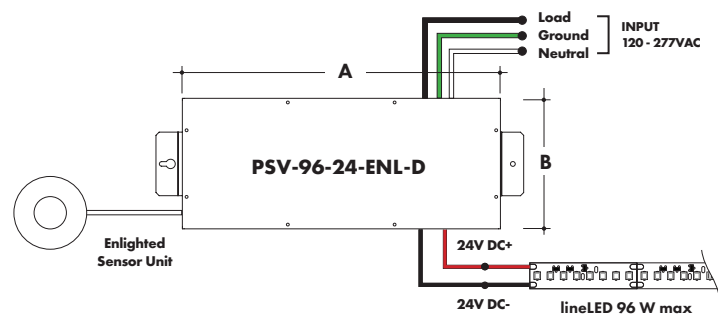


Enlighted Enabled Dimming Power Supplies:

MODEL	POWER	OUTPUT	DIMMING	LOCATION
PSV	96	24	ENL	D

PSV - PSV Series 96 - 96 Watt 24 - 24 VDC ENL - Enlighted Dimming D - Damp

MODELS	96W
A Length	14.40"
B Width	5.20"
Depth	2.60"

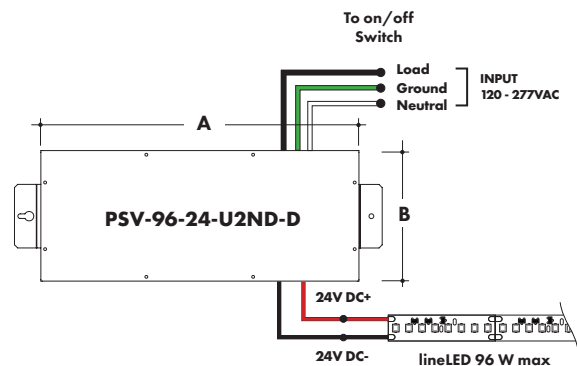


Non-Dimming Power Supply

MODEL	POWER	OUTPUT	DIMMING	LOCATION
PSV	96	24	U2ND	D

PSV - PSV Series 96 - 96 Watt 24 - 24 VDC U2ND - Non Dimming D - Damp

MODELS	96W
A Length	14.40"
B Width	5.20"
Depth	2.60"



Power Supply

See fixture and power supply instructions & spec sheet for wiring information. Dimming possible in select models - view Luminii website for list of compatible dimmers.



Luminii is a Lutron OEM Advantage Partner

MODEL

LTEA4U1UKL-CV240

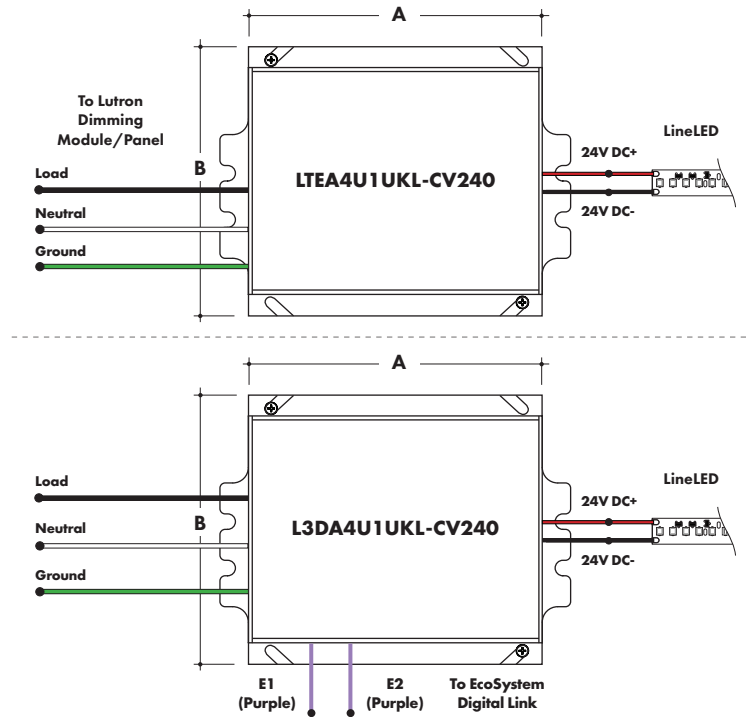
Lutron - HiLume™ 1% 2-wire LED Driver
(120V forward phase only)

MODEL

L3DA4U1UKL-CV240

HiLume™ 1% EcoSystem Voltage LED driver

MODELS	LTEA4U1UKL-CV240	L3DA4U1UKL-CV240
A Length	4.89"	4.98"
B Width	4.00"	4.00"
Depth	2.62"	2.62"



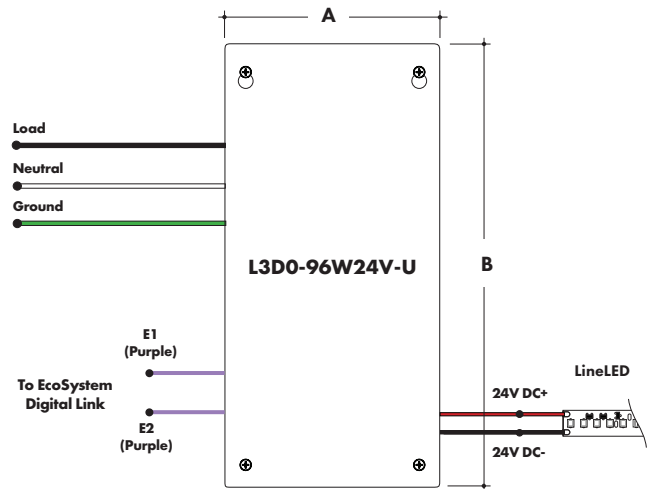
Luminii is a Lutron OEM Advantage Partner

MODEL

L3D0-96W24V-U

HiLume™ 0.1% EcoSystem Voltage LED Driver with Soft-On, Fade-to-Black™

MODELS	L3D0
A Length	10.50"
B Width	5.50"
Depth	2.00"



Power Supply

See fixture and power supply instructions & spec sheet for wiring information. Dimming possible in select models - view Luminii website for list of compatible dimmers.

In ground, Electronic Low Voltage Dimming Power Supplies

MODEL	POWER	OUTPUT	INPUT
IG - CVE	96X2	24	Blank - 120 V 277 - 240/277 V
IG - In ground CVE Series	96X2 - 2 X 96 Watt	24 - 24 VDC	
CVE - ELV Dimming DALI - eldoLED Dali dimming			
Both dims down to 0.1%			

MODELS	Dual Circuit
A Length	8.40"
B Width	8.30"
Depth	8.10"

