

LLX18-RGBW 24V - Installation Instructions

Models LLX18-RGBW-

Please read all instructions prior to installation and keep for future reference!

1. Product should be installed by a qualified electrician.
2. Prior to installation ensure power is off at fuse box to prevent electrical shock.
3. Use only with Class 2 power unit. *Utiliser seulement avec Classe 2 unite d'alimentation électrique.*
4. Suitable for Damp Locations. *Convient Aux Emplacements Humides.*
5. For under-cabinet or shelf mount.
6. Conforms to UL STD 2108. Certified to CSA STD C22.2 No.250.0.

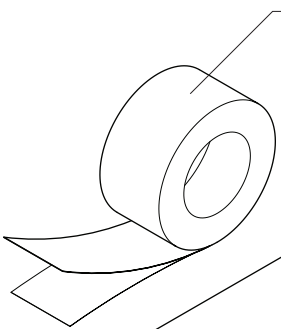


T 224.333.6033
www.opticarts.com

Page 1 of 1

Attention: Always test LLX18-RGBW before installing. Connect LLX18-RGBW to power supply to ensure it is working properly and no damage has occurred during shipping.

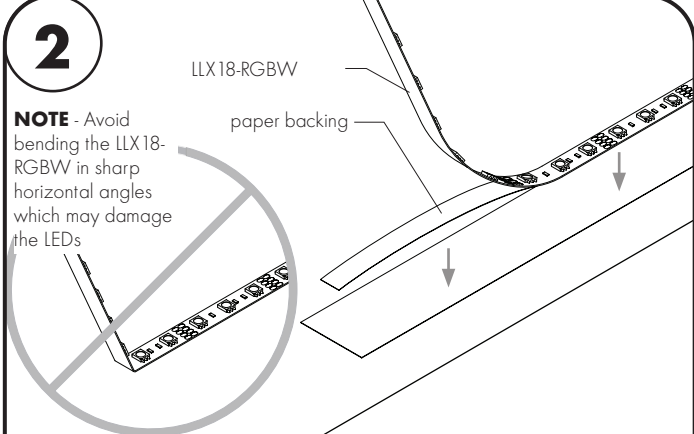
1



HST - aluminum heat sink tape

Clean the area thoroughly where the LLX18-RGBW will be installed. Use the included Heat Sink Tape for installation of LLX18-RGBW on non-aluminum and non-copper surfaces to ensure proper heat dissipation. LLX18-RGBW may not reach it's rated average life when installed otherwise.

2

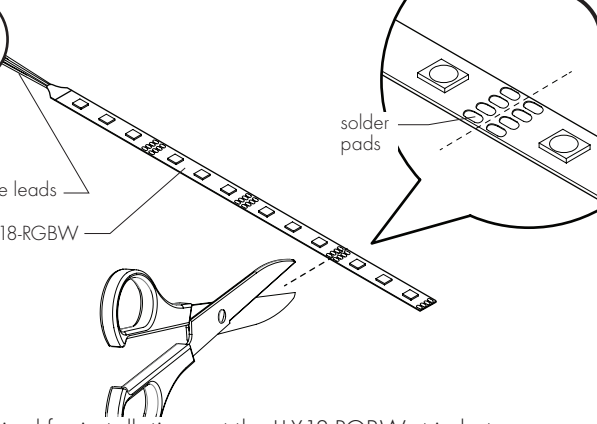


LLX18-RGBW
paper backing

NOTE - Avoid bending the LLX18-RGBW in sharp horizontal angles which may damage the LEDs

Remove the paper backing from the LLX18-RGBW and firmly press down making sure there are no air bubbles that can cause surface irregularities. **Do not remove the adhesive, removing the adhesive may cause arcing of the Line LED tape.**

3

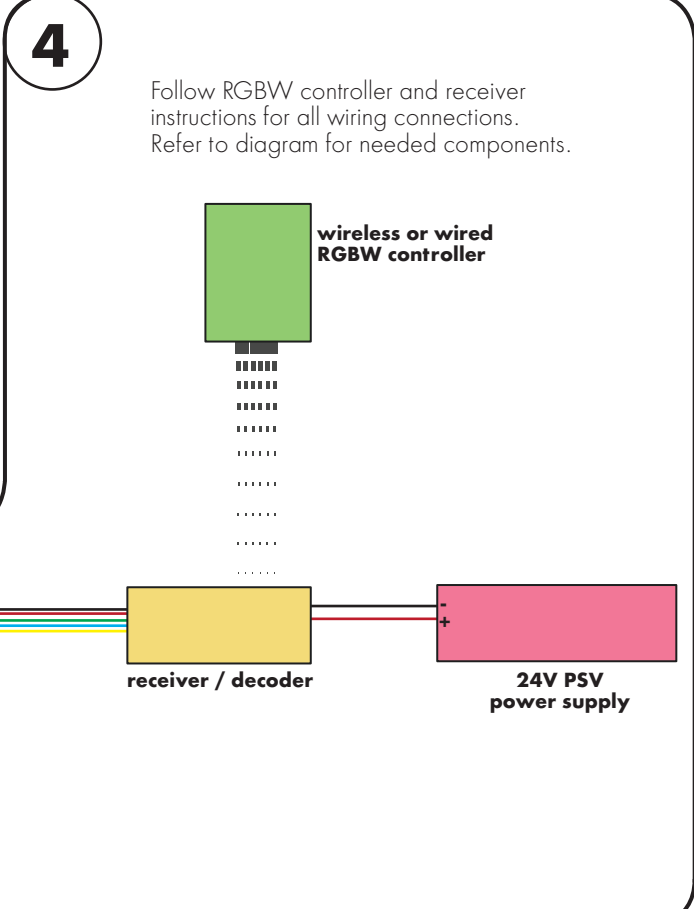


wire leads
LLX18-RGBW
solder pads

If required for installation, cut the LLX18-RGBW strip between two rows of solder pads. Always cut LLX18-RGBW from end without connector / wire leads.

4

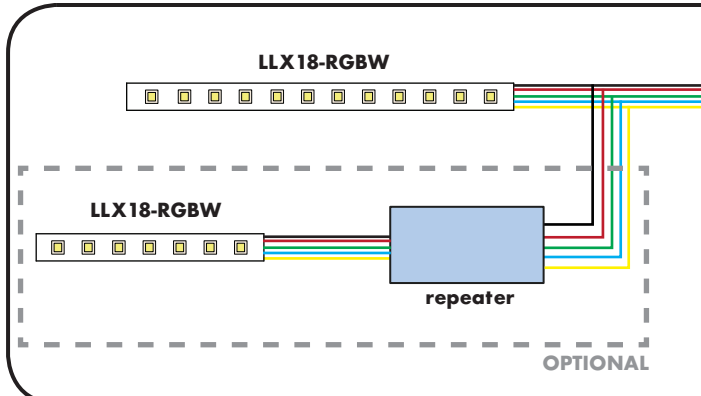
Follow RGBW controller and receiver instructions for all wiring connections. Refer to diagram for needed components.



wireless or wired RGBW controller

receiver / decoder

24V PSV power supply



LLX18-RGBW

LLX18-RGBW

repeater

OPTIONAL