

LL36-RGBW 24V - Installation Instructions

Models LL36-RGBW-

Please read complete instruction prior to installation and keep for future reference!

1. Product should be installed by a qualified electrician.
2. Prior to installation ensure power is off at fuse box to prevent electrical shock.
3. Use only with Class 2 power unit. *Utiliser seulement avec Classe 2 unite d'alimentation electrique.*
4. Suitable for Damp Locations. *Convient Aux Emplacements Humides.*
5. For under-cabinet or shelf mount.
6. Conforms to UL STD 2108. Certified to CSA STD C22.2 No.250.0.

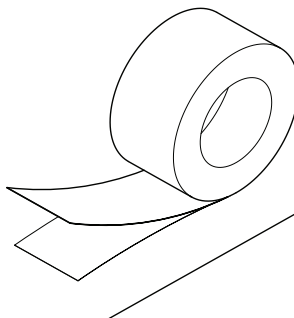


7777 N. Merrimac Ave
Niles, IL 60714
T 224.333.6033
F 224.757.7557
info@luminii.com
www.luminii.com



Attention: Always test LL36-RGBW before installing. Connect LL36-RGBW to power supply to ensure it is working properly and no damage has occurred during shipping.

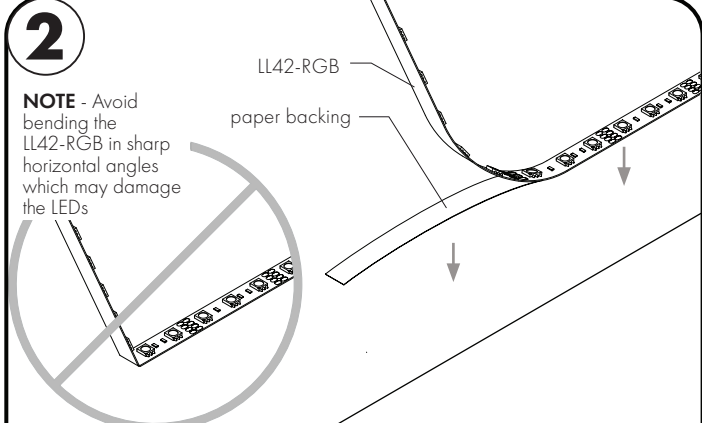
1



Clean area thoroughly where tape will be installed.

For rough surface installations, it is recommended to apply a layer of Aluminum tape or similar material prior to tape application.

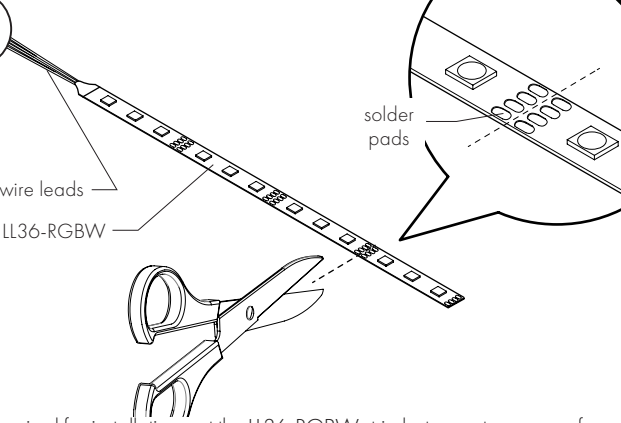
2



NOTE - Avoid bending the LL42-RGB in sharp horizontal angles which may damage the LEDs

Remove the paper backing from the LL42-RGB and firmly press down making sure there are no air bubbles that can cause surface irregularities. **Do not remove the adhesive, removing the adhesive may cause arcing of the Line LED tape.**

3

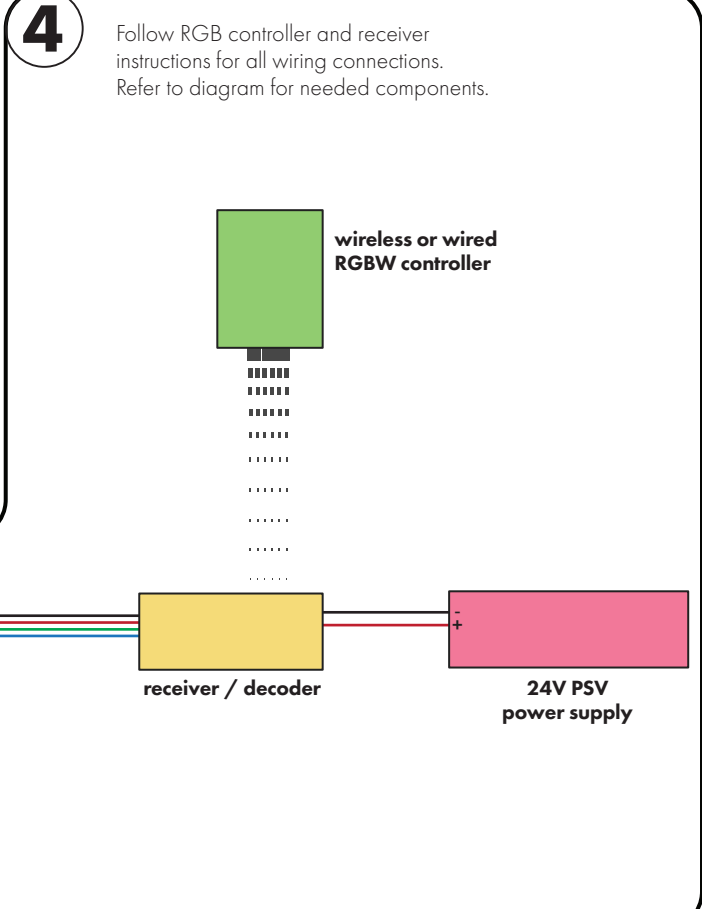


wire leads
LL36-RGBW
solder pads

If required for installation, cut the LL36-RGBW strip between two rows of solder pads. Always cut LL36-RGBW from end without connector / wire leads.

4

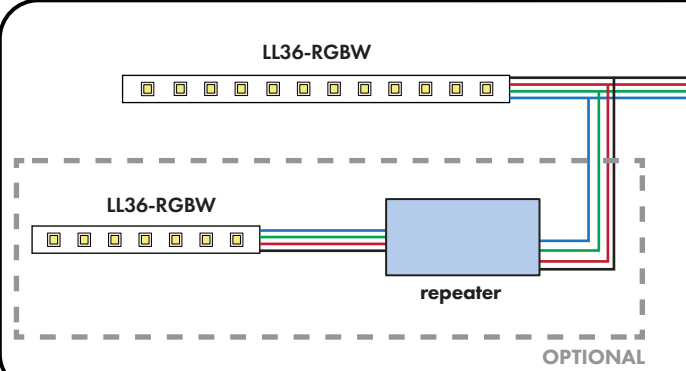
Follow RGB controller and receiver instructions for all wiring connections. Refer to diagram for needed components.



wireless or wired RGBW controller

receiver / decoder

24V PSV power supply



LL36-RGBW

LL36-RGBW

repeater

OPTIONAL