

The LineLED Monochromatic is a small profile and energy efficient colored light strip. It is easily installed directly on to the mounting surface with double sided tape or within discrete mounting extrusions. The durable but flexible circuit board and multiple connector options enable the extension of the light strip and perfect fit for every application.

**Applications:** Indoor only - above and below cabinets, cove lighting, counter accent, architectural reveals, under banister, display and book cases, etc.

**Operating voltage**  
24 VDC

**Average life**  
50,000 hours

**Mounting**  
LED strip is equipped with 3M self-adhesive tape. The strip must be adhered to either a Luminii aluminum profile or an unpainted aluminum surface. For other surfaces the HST Aluminum heat sink tape will be required to reach the rated 50,000 hours average life

**Approvals**  
Class II damp listed

**Warranty**  
5 years

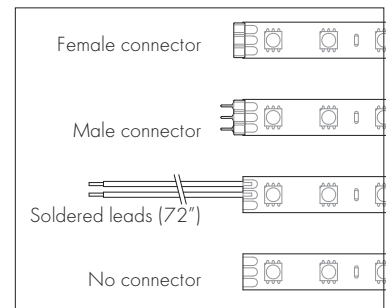


COLOR	Wave-length	Light output LLX18
AMBER	610-620 nm	41.00 lum/ft
RED	626-630 nm	37.25 lum/ft
GREEN	520-525 nm	
BLUE	465-470 nm	72.90 lum/ft
UV	390-400 nm	

### Technical information

MODEL	LL18	LL30	LL36	LLX18
LEDS/ft	18	30	36	18
Average power consumption (for 15" section)	1.5 W/ft	2.5 W/ft	3.0 W/ft	4.3 W/ft
Cutting increment	4.00"	2.50"	2.00"	4.00"
Maximum run length (in series)	100 ft	48 ft	39 ft	25 ft
Dimensions	0.39" W 0.09" H	0.39" W 0.09" H	0.39" W 0.09" H	0.39" W 0.09" H

### SECTION START/END OPTIONS

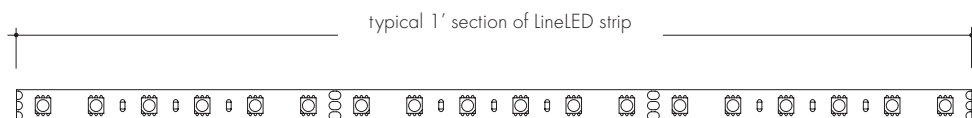


### Ordering code

MODEL	COLOR	SECTION START	SECTION END	LENGTH
<b>LL18</b>	<b>A</b>	<b>F</b>	<b>M</b>	
LL18	A - Amber	F - Female connector	F - Female connector	view table above for increment options and maximum run limits
LL30	B - Blue	M - Male connector	M - Male connector	
LL36	G - Green	SL - Soldered wire leads (72")	SL - Soldered wire leads (72")	
LLX18	R - Red	NC - No connector	NC - No connector	

Power consumption per linear foot - loads tested with PSD series of power supplies (page3)

Length of strip (LF)	LL18		LL30		LL36		LLX18	
	W/ft	Total wattage	W/ft	Total wattage	W/ft	Total wattage	W/ft	Total wattage
1	1.65	1.65	2.70	2.70	3.25	3.25	5.00	5.00
2	1.65	3.30	2.70	5.40	3.25	6.50	4.95	9.90
3	1.65	4.95	2.70	8.10	3.25	9.75	4.90	14.70
4	1.63	6.58	2.65	10.60	3.20	12.80	4.85	19.40
5	1.63	8.21	2.65	13.25	3.20	16.00	4.80	24.00
6	1.62	9.83	2.65	15.90	3.15	18.90	4.75	28.50
7	1.62	11.45	2.60	18.20	3.15	22.05	4.70	32.90
8	1.62	13.07	2.60	20.80	3.10	24.80	4.65	37.20
9	1.60	14.67	2.60	23.40	3.10	27.90	4.60	41.40
10	1.60	16.50	2.55	25.50	3.05	30.50	4.55	45.50
11	1.57	18.07	2.55	28.05	3.05	33.50	4.50	49.50
12	1.57	19.64	2.55	30.60	3.00	36.00	4.45	53.40
13	1.57	21.21	2.50	32.50	3.00	39.00	4.40	57.20
14	1.55	22.76	2.50	35.00	3.00	42.00	4.35	60.90
15	1.55	24.31	2.50	37.50	3.00	45.00	4.30	64.50
16	1.55	25.86	2.45	39.20	2.95	47.20	4.25	68.00
17	1.52	27.38	2.45	41.65	2.95	50.15	4.20	71.40
18	1.52	28.90	2.45	44.10	2.90	52.50	4.15	74.70
19	1.52	30.42	2.40	45.60	2.90	55.10	4.10	77.90
20	1.50	31.20	2.40	48.00	2.85	57.00	4.05	81.00
21	1.50	32.70	2.40	50.40	2.85	59.85	4.00	84.00
22	1.50	34.20	2.35	51.70	2.80	61.60	3.95	86.90
23	1.48	35.68	2.35	54.05	2.80	64.60	3.90	89.70
24	1.47	37.15	2.35	56.40	2.75	66.00	3.85	92.40
25	1.47	38.62	2.30	57.50	2.75	68.75	3.80	95.00
26	1.45	40.07	2.30	59.80	2.70	70.20		
27	1.45	41.52	2.30	62.10	2.70	72.90		
28	1.43	42.20	2.25	63.00	2.65	74.20		
29	1.42	43.00	2.25	65.25	2.65	76.85		
30	1.40	43.70	2.25	67.50	2.60	78.00		
31	1.40	45.10	2.20	68.20	2.60	80.60		
32	1.38	46.50	2.20	70.40	2.55	81.60		
33	1.37	47.70	2.20	72.60	2.55	84.15		
34	1.37	49.00	2.15	73.10	2.50	85.00		
35	1.36	50.45	2.15	75.25	2.50	87.50		
36	1.36	51.70	2.15	77.40	2.45	88.20		
37	1.36	52.50	2.10	77.70	2.45	90.65		
38	1.36	53.00	2.10	79.80	2.40	91.20		
39	1.35	53.90	2.10	81.90	2.40	93.60		
40	1.35	54.40	2.05	82.00				
41	1.35	55.75	2.05	84.05				
42	1.34	57.09	2.05	86.10				
43	1.34	58.43	2.02	86.90				
44	1.33	59.76	2.00	88.00				
45	1.33	61.07	2.00	90.00				
46	1.32	61.97	1.96	90.20				
47	1.32	62.70	1.95	91.65				
48	1.31	63.50	1.95	93.60				
49	1.31	64.05						
50	1.30	64.80						
51-60	1.30 - 1.25	65.20 - 70.80						
61-70	1.25 - 1.20	71.00 - 76.20						
71-80	1.20 - 1.10	77.00 - 81.60						
81-90	1.10 - 1.00	82.00 - 86.20						
91-100	1.00 - 0.95	87.00 - 91.40						



Lens options / light transmission percentage per lens

C	HF	G	SI	S	Q	F	M	R	C36	C10																				
Clear	Half (50%) Frosted	Graze	Satin Ice	Square Frosted	Round Square Frosted	Frosted	Medium Beam Frosted	Raised	Clear 36° Beam Angle	Clear 10° Beam Angle																				
<table border="1"> <tr> <td> <b>KS Channel (KSC-XX)</b>    <b>C F HF C36 R</b>                      85% 55% 72% 83% 51%                 </td> <td> <b>KM Channel (KMC-XX)</b>    <b>C F HF C10 R</b>                      71% 42% 58% 67% 39%                 </td> <td> <b>K45V Channel (K45VC-XX)</b>    <b>C F HF C10</b>                      71% 42% 58% 67%                 </td> <td> <b>K45R Channel (K45RC-XX)</b>    <b>F</b>                      42%                 </td> <td> <b>BOS Channel (BOSC-XX)</b>    <b>F SI R G</b>                      43% 56% 46% 67%                 </td> </tr> <tr> <td> <b>KL Channel (KLC-XX)</b>    <b>C F HF</b>                      83% 55% 68%                 </td> <td> <b>KXL Channel (KXLC-XX)</b>    <b>C F HF</b>                      74% 46% 61%                 </td> <td> <b>CLA Channel (CLAC-XX)</b>    <b>S Q</b>                      62% 63%                 </td> <td> <b>ALC Channel (ALC-XX)</b>    <b>C F HF</b>                      79% 58% 69%                 </td> <td> <b>KRS Channel (KRSC-XX)</b>    <b>C F HF</b>                      85% 55% 72%                 </td> </tr> <tr> <td> <b>KRM Channel (KRMC-XX)</b>    <b>C F HF</b>                      71% 42% 58%                 </td> <td> <b>KRL Channel (KRLC-XX)</b>    <b>C F HF</b>                      83% 55% 68%                 </td> <td> <b>KRXL Channel (KRXC-XX)</b>    <b>C F HF</b>                      74% 46% 61%                 </td> <td> <b>Wall+ Channel (WPC-XX)</b>    <b>C F</b>                      47% 44%                 </td> <td> <b>RO Channel (RO-XX)</b>    <b>C F</b>                      75% 52%                 </td> </tr> <tr> <td> <b>ALS20 Channel (ALS20-XX)</b>    <b>C F</b>                      78% 43%                 </td> <td> <b>FL Channel (FL-XX)</b>    <b>C F HF</b>                      85% 63% 75%                 </td> <td colspan="3"></td> </tr> </table>											<b>KS Channel (KSC-XX)</b>  <b>C F HF C36 R</b> 85% 55% 72% 83% 51%	<b>KM Channel (KMC-XX)</b>  <b>C F HF C10 R</b> 71% 42% 58% 67% 39%	<b>K45V Channel (K45VC-XX)</b>  <b>C F HF C10</b> 71% 42% 58% 67%	<b>K45R Channel (K45RC-XX)</b>  <b>F</b> 42%	<b>BOS Channel (BOSC-XX)</b>  <b>F SI R G</b> 43% 56% 46% 67%	<b>KL Channel (KLC-XX)</b>  <b>C F HF</b> 83% 55% 68%	<b>KXL Channel (KXLC-XX)</b>  <b>C F HF</b> 74% 46% 61%	<b>CLA Channel (CLAC-XX)</b>  <b>S Q</b> 62% 63%	<b>ALC Channel (ALC-XX)</b>  <b>C F HF</b> 79% 58% 69%	<b>KRS Channel (KRSC-XX)</b>  <b>C F HF</b> 85% 55% 72%	<b>KRM Channel (KRMC-XX)</b>  <b>C F HF</b> 71% 42% 58%	<b>KRL Channel (KRLC-XX)</b>  <b>C F HF</b> 83% 55% 68%	<b>KRXL Channel (KRXC-XX)</b>  <b>C F HF</b> 74% 46% 61%	<b>Wall+ Channel (WPC-XX)</b>  <b>C F</b> 47% 44%	<b>RO Channel (RO-XX)</b>  <b>C F</b> 75% 52%	<b>ALS20 Channel (ALS20-XX)</b>  <b>C F</b> 78% 43%	<b>FL Channel (FL-XX)</b>  <b>C F HF</b> 85% 63% 75%			
<b>KS Channel (KSC-XX)</b>  <b>C F HF C36 R</b> 85% 55% 72% 83% 51%	<b>KM Channel (KMC-XX)</b>  <b>C F HF C10 R</b> 71% 42% 58% 67% 39%	<b>K45V Channel (K45VC-XX)</b>  <b>C F HF C10</b> 71% 42% 58% 67%	<b>K45R Channel (K45RC-XX)</b>  <b>F</b> 42%	<b>BOS Channel (BOSC-XX)</b>  <b>F SI R G</b> 43% 56% 46% 67%																										
<b>KL Channel (KLC-XX)</b>  <b>C F HF</b> 83% 55% 68%	<b>KXL Channel (KXLC-XX)</b>  <b>C F HF</b> 74% 46% 61%	<b>CLA Channel (CLAC-XX)</b>  <b>S Q</b> 62% 63%	<b>ALC Channel (ALC-XX)</b>  <b>C F HF</b> 79% 58% 69%	<b>KRS Channel (KRSC-XX)</b>  <b>C F HF</b> 85% 55% 72%																										
<b>KRM Channel (KRMC-XX)</b>  <b>C F HF</b> 71% 42% 58%	<b>KRL Channel (KRLC-XX)</b>  <b>C F HF</b> 83% 55% 68%	<b>KRXL Channel (KRXC-XX)</b>  <b>C F HF</b> 74% 46% 61%	<b>Wall+ Channel (WPC-XX)</b>  <b>C F</b> 47% 44%	<b>RO Channel (RO-XX)</b>  <b>C F</b> 75% 52%																										
<b>ALS20 Channel (ALS20-XX)</b>  <b>C F</b> 78% 43%	<b>FL Channel (FL-XX)</b>  <b>C F HF</b> 85% 63% 75%																													

**Installation**

All mounting channels are field cuttable using miter saw with circular blade suitable for cutting aluminum.

**Ordering**

Extrusions are sold separately. View respective specsheets for details on ordering extrusions and their accessories (endcaps, mounting brackets, etc).

**Discontinued Extrusion Reference Link**

<https://www.luminii.com/media/4351/extrusion-update-02.pdf>

**LED Dotting per extrusion**

using the frosted lens option

extrusion	LED Models			
	LL18	LL30	LL36	LLX18
KSC, KRSC, FL, ALC	CD	CD	CD	CD
KMC, KRMC, K45VC, K45RC	SD	SD	ND	SD
KXLC, KRXC	CD	SD	ND	CD
KLC, KRLC	CD	CD	CD	CD
WPC	CD	SD	ND	CD
RO, ALS20	SD	ND	ND	SD
BOSC	CD	SD	SD	CD
CLAC	SD	ND	ND	SD

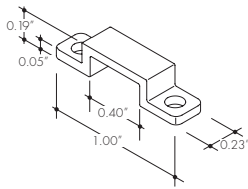


Clear Dotting (CD)    Slight Dotting (SD)    NO Dotting (ND)

## Accessories

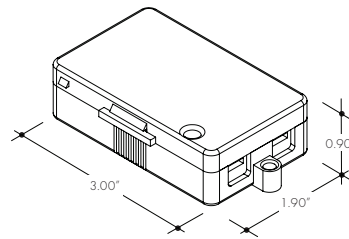
Mounting clip:  
recommended at every 12" when  
LineLED strip is facing down.

Part # CL1



Splice Box:  
low voltage, 4 terminal  
splice box, black.

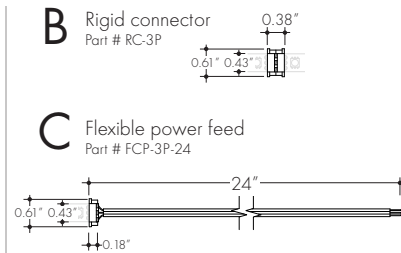
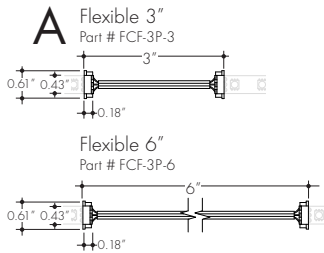
Part # LVSP-4T-BK



## Connectors

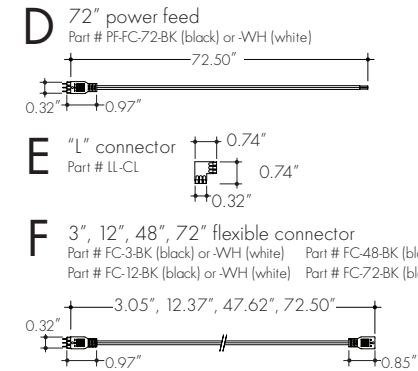
### Field-cut connectors

(Reference dimensions below to determine if connector will fit inside of your extrusion. If so surface with contact of connector & extrusion must be insulated to prevent an electrical short)

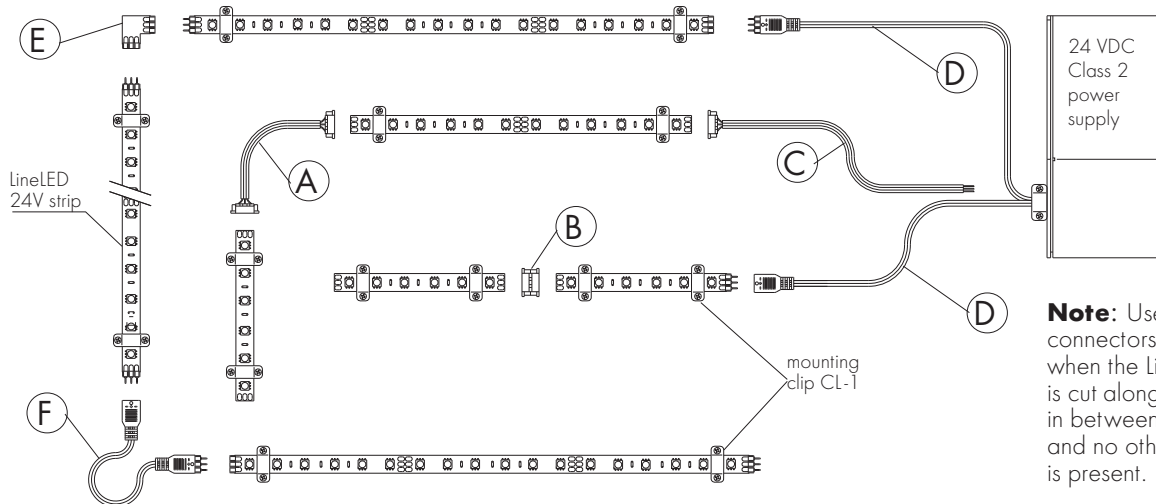


### 3-pin connectors

(Reference dimensions below to determine if connector will fit inside of your extrusion. Connectors will not fit inside of the KSC, KRSC, BOSCO, & ALC Channel)



## Sample layout with connectors



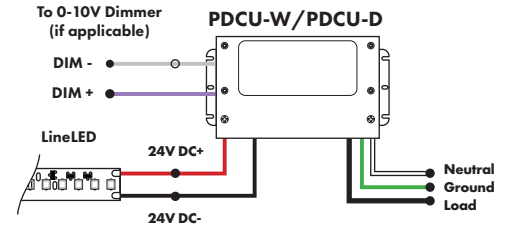
**Note:** Use field-cut connectors (A,B,C) when the LineLED strip is cut along cutting lines in between solder pads and no other connector is present.

## Power Supplies

See Power Supply instructions and spec sheet for wiring information. For a complete list of compatible dimmers, see Compatible Dimming Chart on the Resources page.

### Universal Power Supply 1% 120VAC - 277VAC

MODEL	POWER	OUTPUT
PDCU-D - IP20 Dry Series	30 - 30 W 60 - 60 W 96 - 96 W 3X96 - 3X96 W	24 - 24 VDC
PDCU-W - IP66 Wet Series	96 - 96 W 3X96 - 3X96 W	

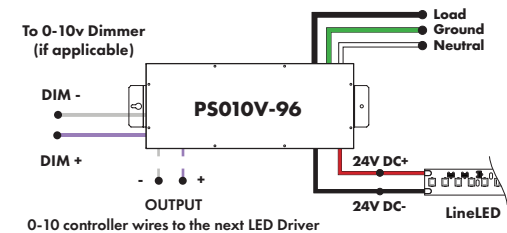


0-10V dims down to 1%, MLV/ELV/TRIAC dims down to 1%.  
For a complete list of compatible dimmers, see [Compatible Dimming Chart](#) on the Resources page.

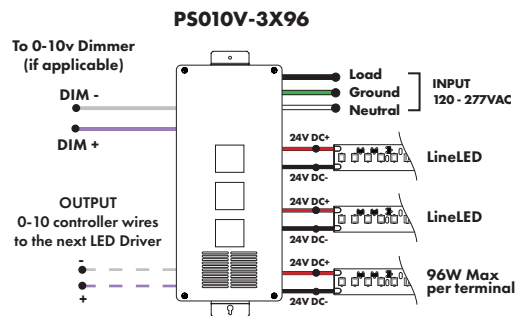
MODELS	PDCU-W 96W	PDCU-W 3X96W	PDCU-D 30W	PDCU-D 60W	PDCU-D 96W	PDCU-D 3X96W
<b>Length</b>	8.66"	11.85"	6.10"	7.93"	8.25"	9.57"
<b>Width</b>	3.73"	4.32"	3.35"	3.35"	4.10"	5.94"
<b>Depth</b>	1.61"	1.81"	1.33"	1.32"	1.56"	1.13"

### 0-10V Dimming Power Supplies 0.1% 120VAC - 277VAC

MODEL	POWER	OUTPUT	DIMMING
PS010V - 0-10V Power Supply dims down to 0.1%	96 - 96 Watt 3X96 - 3 X 96 Watt	24 - 24 VDC	LIN - Linear LOG - Logarithmic



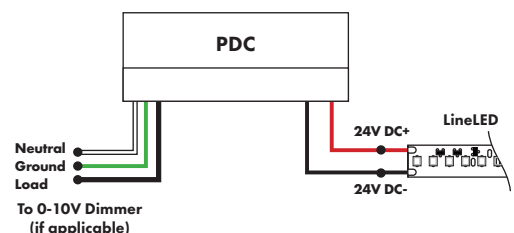
MODELS	96W	3X96
<b>Length</b>	14.40"	15.75"
<b>Width</b>	5.20"	6.62"
<b>Depth</b>	2.60"	4.95"



### Triac, MLV, ELV, & PWM Compatible Dimmers

MODEL	POWER	OUTPUT
PDC - (IP20) Power Supply	96 - 96 Watts	24 - 24 VDC

MODELS	96W
<b>Length</b>	8.25"
<b>Width</b>	4.10"
<b>Depth</b>	1.56"



## Power Supplies

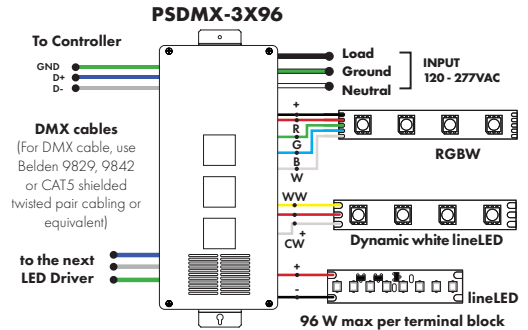
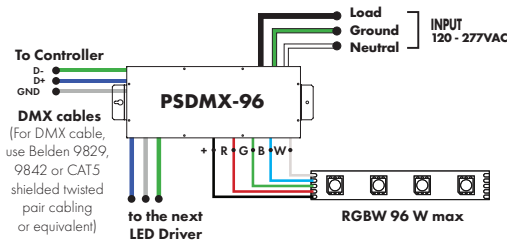
See Power Supply instructions and spec sheet for wiring information. For a complete list of compatible dimmers, see Compatible Dimming Chart on the Resources page.

### DMX Dimming Power Supplies 120VAC - 277VAC

MODEL	POWER	OUTPUT
PSDMX - DMX Power Supply dims down to 0%	96 - 96 Watt 3X96 - 3 X 96 Watt	24 - 24 VDC

Features eldoLED's LINEARdrive configurable dimmable drivers

MODELS	96W	3X96
<b>Length</b>	14.40"	15.75"
<b>Width</b>	5.20"	6.62"
<b>Depth</b>	2.60"	4.95"

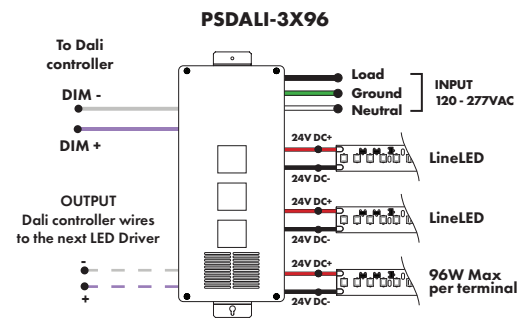
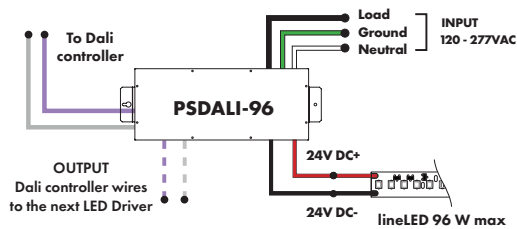


### DALI 0% Dimming Power Supplies 120VAC - 277VAC

MODEL	POWER	OUTPUT
PSDALI - DALI Power Supply dims down to 0%	96 - 96 Watt 3X96 - 3 X 96 Watt	24 - 24 VDC

Features eldoLED's LINEARdrive configurable dimmable drivers

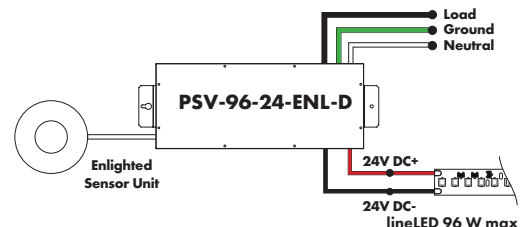
Model	96W	3X96
<b>Length</b>	14.40"	15.75"
<b>Width</b>	5.20"	6.62"
<b>Depth</b>	2.60"	4.95"



### Enlighted Enabled Dimming Power Supplies 120VAC - 277VAC

MODEL	POWER	OUTPUT	DIMMING	LOCATION
PSV - PSV Series	96 - 96 Watt	24 - 24 VDC	ENL - Enlighted Dimming dims down to 0%	D - Damp

Model	96W
<b>Length</b>	14.40"
<b>Width</b>	5.20"
<b>Depth</b>	2.60"



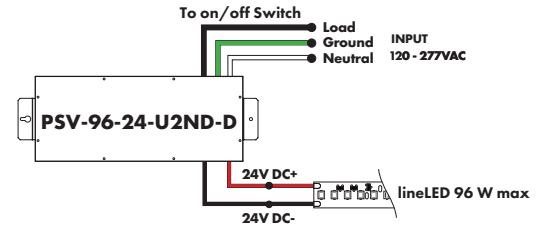
## Power Supplies

See Power Supply instructions and spec sheet for wiring information. For a complete list of compatible dimmers, see Compatible Dimming Chart on the Resources page.

### Non-Dimming Power Supply 120VAC - 277VAC

MODEL	POWER	OUTPUT	DIMMING	LOCATION
PSV - PSV Series	96 - 96 Watt	24 - 24 VDC	U2ND - Non Dimming	D - Damp

MODELS	96W
Length	14.40"
Width	5.20"
Depth	2.60"

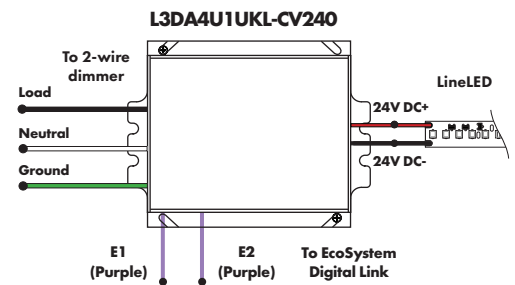
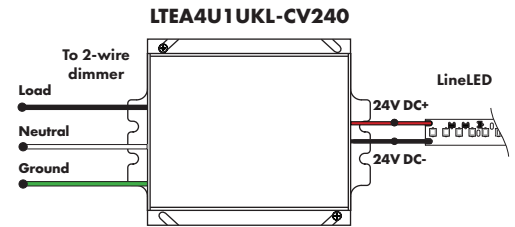


Luminii is a Lutron OEM Advantage Partner

### Lutron Power Supplies 1%

MODEL	MODEL
<b>LTEA4U1UKL-CV240</b>	<b>L3DA4U1UKL-CV240</b>
Lutron - HiLume™ 1% 2-wire LED Driver 40W max	HiLume™ 1% EcoSystem Voltage LED driver 40W max
(120V forward phase only)	

MODELS	LTEA4U1UKL-CV240	L3DA4U1UKL-CV240
Length	4.89"	4.98"
Width	4.00"	4.00"
Depth	2.62"	2.62"

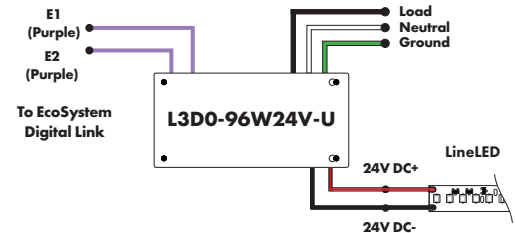


Luminii is a Lutron OEM Advantage Partner

### Lutron Power Supplies 0.1%

MODEL
<b>L3D0-96W24V-U</b>
HiLume™ 0.1% EcoSystem Voltage LED Driver with Soft-On, Fade-to-Black™ 96W max

MODELS	L3D0
Length	10.50"
Width	5.50"
Depth	2.00"



### In-Ground Power Supplies

MODEL	POWER	OUTPUT	INPUT
IG - In ground CVE Series	CVE - ELV Dimming DALI - eidoLED Dali dimming Both dims down to 0%	96X2 - 2 X 96 Watt	24 - 24 VDC
			Blank - 120 V 277 - 240/277 V

MODELS	Dual Circuit
Length	8.40"
Width	8.30"
Depth	8.10"

