

LineLED Flex 18 is a small profile, high output LED strip specially designed for installations with horizontal plane bend. Bending sections every 1.30" on center allow the LineLED Flex 18 to fit around tight curves.

**Mounting**  
 LLED strip is equipped with 3M™ adhesive transfer tape (9472LE).

**Applications:**  
 Indoor only - cove lighting, architectural reveals, under banister, general ambient lighting, etc.

**Approvals**  
 Class 2 damp listed

**Operating voltage**  
 24 VDC

**Average life**  
 50,000 hours

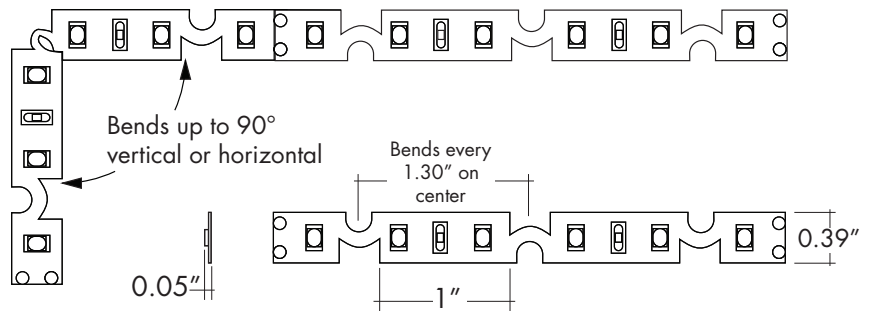
**Warranty**  
 5 years



### Technical information

MODEL	LLFLEX18
LEDS/ft	18
Light output 3000K	300 lum/ft
Average power consumption (for 15' section)	2.65 W/ft
Ordering increment	4.00"
Pitch length	0.66"
Maximum run length (in series)	22 ft
Dimensions	0.39" W 0.05" H

### PRODUCT DIMENSIONS

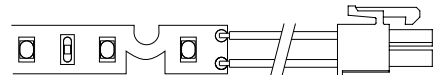


### SECTION START/END OPTIONS

NC - No connector



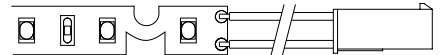
LF - Power Feed lead Female 3" cable



SL - Soldered lead wire (72")



MF - Power Feed lead Male 3" cable



### CCT INFO/LUMEN MULTIPLIER

Color temperature	Multiplier (referenced from 3000K)	CRI	R <sub>f</sub>	R <sub>g</sub>
2200K	0.87	82	81	99
2400K	0.73	98	95	101
2700K	0.81	98	95	102
3000K	1.00	91	90	101
3500K	1.05	95	90	97
4100K	1.28	93	88	96

### TM-30-15

### Ordering code

MODEL	COLOR TEMPERATURE	SECTION START	SECTION END	LENGTH
LLFLEX18	22K	SL	SL	4
LLFLEX18	22K - 2200K 24K - 2400K 27K - 2700K 30K - 3000K 35K - 3500K 41K - 4100K	SL - Soldered lead wires (72") LF - Lead female MF - Lead male NC - No connector	SL - Soldered lead wires (72") LF - Lead female MF - Lead male NC - No connector	4" increments - up to 22'

## Power consumption per linear foot

loads tested with PSD series of power supplies (page 4)

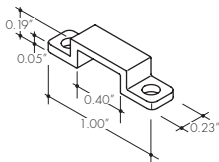
### POWER CONSUMPTION PER FOOT

Length of strip (LF)	W/ft	Total wattage
<b>1</b>	3.35	3.35
<b>2</b>	3.35	6.70
<b>3</b>	3.30	9.90
<b>4</b>	3.25	13.00
<b>5</b>	3.20	16.00
<b>6</b>	3.15	18.90
<b>7</b>	3.10	21.70
<b>8</b>	3.05	24.40
<b>9</b>	3.00	27.00
<b>10</b>	2.95	29.50
<b>11</b>	2.90	31.90
<b>12</b>	2.80	33.60
<b>13</b>	2.75	35.75
<b>14</b>	2.70	37.80
<b>15</b>	2.65	39.75
<b>16</b>	2.60	41.60
<b>17</b>	2.55	43.35
<b>18</b>	2.50	45.00
<b>19</b>	2.45	46.55
<b>20</b>	2.40	48.00
<b>21</b>	2.35	49.35
<b>22</b>	2.30	50.60

## Accessories

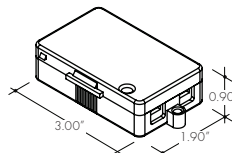
### Part # CL1

Mounting clip:  
recommended at every 12" when  
LineLED strip is facing down.



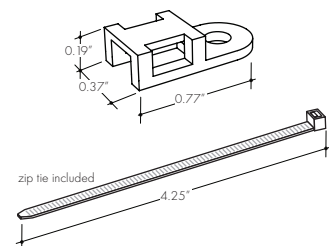
### Part # LVSP-4T-BK

Splice Box:  
low voltage, 4 terminal splice box, black.



### Part # LL.ZIP

Strain Relief Clip



Lens options / light transmission percentage per lens

<b>C</b> Clear	<b>HF</b> Half (50%) Frosted	<b>G</b> Graze	<b>SI</b> Satin Ice	<b>S</b> Square Frosted	<b>Q</b> Round Square Frosted	<b>F</b> Frosted	<b>M</b> Medium Beam Frosted	<b>R</b> Raised	<b>C36</b> Clear 36° Beam Angle	<b>C10</b> Clear 10° Beam Angle
-------------------	------------------------------------	-------------------	------------------------	-------------------------------	-------------------------------------	---------------------	------------------------------------	--------------------	---------------------------------------	---------------------------------------

<b>KS Channel (KSC-XX)</b>  <b>C</b> <b>F</b> <b>HF</b> <b>C36</b> <b>R</b> 85% 55% 72% 83% 51%	<b>KM Channel (KMC-XX)</b>  <b>C</b> <b>F</b> <b>HF</b> <b>C10</b> <b>R</b> 71% 42% 58% 67% 39%	<b>K45V Channel (K45VC-XX)</b>  <b>C</b> <b>F</b> <b>HF</b> <b>C10</b> 71% 42% 58% 67%	<b>K45R Channel (K45RC-XX)</b>  <b>F</b> 42%	<b>BOS Channel (BOSC-XX)</b>  <b>F</b> <b>SI</b> <b>R</b> <b>G</b> 43% 56% 46% 67%
<b>KL Channel (KLC-XX)</b>  <b>C</b> <b>F</b> <b>HF</b> 83% 55% 68%	<b>KXL Channel (KXLC-XX)</b>  <b>C</b> <b>F</b> <b>HF</b> 74% 46% 61%	<b>CLA Channel (CLAC-XX)</b>  <b>S</b> <b>Q</b> 62% 63%	<b>ALC Channel (ALC-XX)</b>  <b>C</b> <b>F</b> <b>HF</b> 79% 58% 69%	<b>KRS Channel (KRSC-XX)</b>  <b>C</b> <b>F</b> <b>HF</b> 85% 55% 72%
<b>KRM Channel (KRMC-XX)</b>  <b>C</b> <b>F</b> <b>HF</b> 71% 42% 58%	<b>KRL Channel (KRLC-XX)</b>  <b>C</b> <b>F</b> <b>HF</b> 83% 55% 68%	<b>KRXL Channel (KRXL-XX)</b>  <b>C</b> <b>F</b> <b>HF</b> 74% 46% 61%	<b>Wall+ Channel (WPC-XX)</b>  <b>C</b> <b>F</b> 47% 44%	<b>RO Channel (RO-XX)</b>  <b>C</b> <b>F</b> 75% 52%
<b>ALS20 Channel (ALS20-XX)</b>  <b>C</b> <b>F</b> 78% 43%	<b>FL Channel (FL-XX)</b>  <b>C</b> <b>F</b> <b>HF</b> 85% 63% 75%			

**Installation**

All mounting channels are field cuttable using miter saw with circular blade suitable for cutting aluminum.

**Ordering**

Extrusions are sold separately. View respective specsheets for details on ordering extrusions and their accessories (endcaps, mounting brackets, etc).

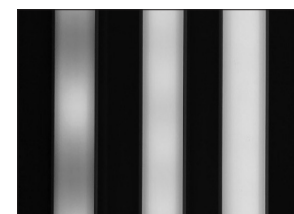
**Discontinued Extrusion Reference Link**

<https://www.luminii.com/media/4351/extrusion-update-02.pdf>

**LED Dotting per extrusion**

using the frosted lens option

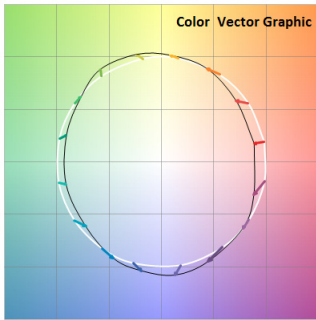
extrusion	LL18
KSC, KRSC, FL, ALC	CD
KMC, KRMC, K45VC, K45RC	SD
KXLC, KRXL	CD
KLC, KRLC	CD
WPC	CD
RO, ALS20	SD
BOSC	CD
CLAC	SD



Clear Dotting (CD)    Slight Dotting (SD)    No Dotting (ND)

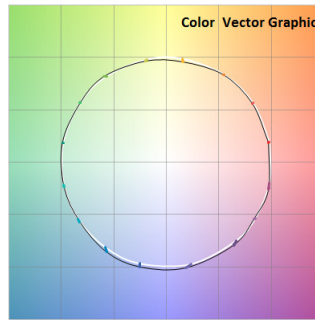
TM-30-15: Data

22K CCT



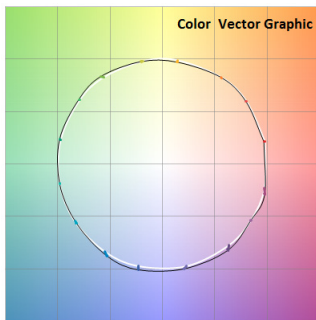
Hue Bin	$R_f$	Graphic shifts (%)	
		Chroma	Hue
1	79	-10%	0%
2	79	-8%	8%
3	70	-2%	14%
4	85	2%	8%
5	90	5%	5%
6	90	6%	-3%
7	84	-2%	-8%
8	89	-6%	-4%
9	85	-6%	3%
10	78	-6%	11%
11	77	2%	14%
12	79	6%	9%
13	88	8%	-7%
14	67	4%	-20%
15	84	0%	-10%
16	75	-7%	-14%

24K CCT



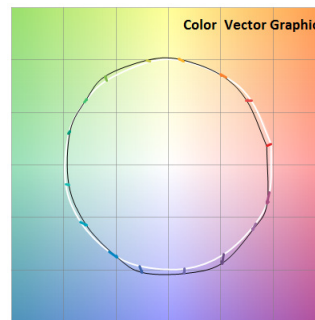
Hue Bin	$R_f$	Graphic shifts (%)	
		Chroma	Hue
1	97	-1%	0%
2	97	-1%	0%
3	97	0%	1%
4	95	-3%	-1%
5	96	-1%	2%
6	96	1%	3%
7	97	0%	1%
8	98	1%	0%
9	97	0%	2%
10	95	0%	3%
11	93	3%	4%
12	93	3%	1%
13	93	3%	-6%
14	92	2%	-4%
15	95	-1%	-1%
16	91	0%	-6%

27K CCT



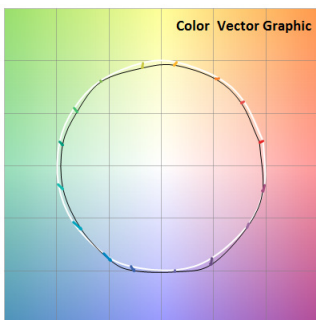
Hue Bin	$R_f$	Graphic shifts (%)	
		Chroma	Hue
1	97	-1%	0%
2	98	0%	0%
3	96	0%	1%
4	96	-2%	0%
5	96	0%	2%
6	95	2%	2%
7	96	1%	0%
8	98	1%	-1%
9	98	0%	1%
10	95	0%	3%
11	92	2%	5%
12	93	3%	1%
13	95	2%	-3%
14	93	3%	-3%
15	96	0%	-1%
16	91	1%	-6%

30K CCT



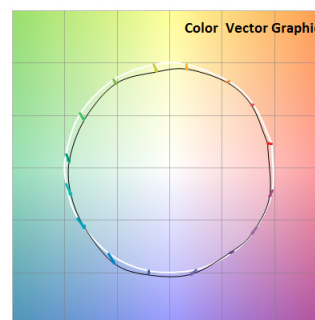
Hue Bin	$R_f$	Graphic shifts (%)	
		Chroma	Hue
1	90	-4%	-1%
2	91	-4%	3%
3	86	-1%	7%
4	91	1%	5%
5	92	2%	3%
6	93	4%	-1%
7	92	0%	-4%
8	95	-1%	-2%
9	94	-3%	1%
10	87	-3%	6%
11	84	0%	10%
12	88	6%	4%
13	92	4%	-1%
14	88	6%	-6%
15	89	1%	-7%
16	85	0%	-11%

35K CCT



Hue Bin	$R_f$	Graphic shifts (%)	
		Chroma	Hue
1	91	-4%	0%
2	93	-3%	0%
3	92	-2%	2%
4	92	-3%	1%
5	91	-5%	1%
6	96	-1%	1%
7	92	-4%	1%
8	93	-3%	2%
9	90	-4%	5%
10	83	-3%	10%
11	83	2%	10%
12	89	3%	4%
13	95	2%	-1%
14	90	5%	-4%
15	90	1%	-5%
16	88	0%	-6%

41K CCT



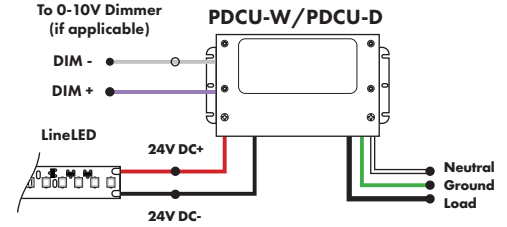
Hue Bin	$R_f$	Graphic shifts (%)	
		Chroma	Hue
1	88	-4%	1%
2	93	-2%	1%
3	93	-2%	1%
4	89	-4%	-2%
5	88	-7%	-1%
6	93	-4%	0%
7	88	-7%	3%
8	87	-4%	6%
9	82	-3%	12%
10	79	0%	12%
11	83	5%	9%
12	91	4%	0%
13	89	3%	-6%
14	92	-1%	-3%
15	84	0%	-7%
16	84	-1%	-6%

**Power Supplies**

See Power Supply instructions and spec sheet for wiring information. For a complete list of compatible dimmers, see Compatible Dimming Chart on the Resources page.

**Universal Power Supply 1% 120VAC - 277VAC**

MODEL	POWER	OUTPUT
PDCU-D - IP20 Dry Series	30 - 30 W 60 - 60 W 96 - 96 W 3X96 - 3X96 W	24 - 24 VDC
PDCU-W - IP66 Wet Series	96 - 96 W 3X96 - 3X96 W	

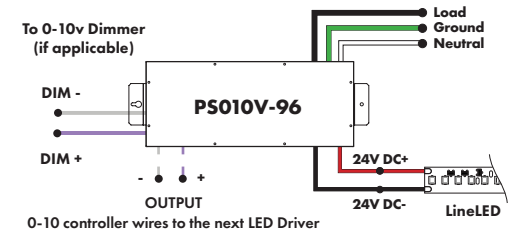


0-10V dims down to 1%, MLV/ELV/TRIAC dims down to 1%.  
For a complete list of compatible dimmers, see [Compatible Dimming Chart](#) on the Resources page.

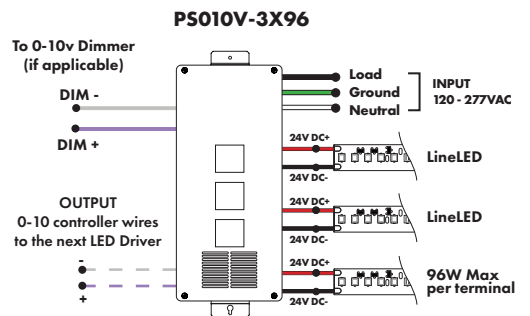
MODELS	PDCU-W 96W	PDCU-W 3X96W	PDCU-D 30W	PDCU-D 60W	PDCU-D 96W	PDCU-D 3X96W
<b>Length</b>	8.66"	11.85"	6.10"	7.93"	8.25"	9.57"
<b>Width</b>	3.73"	4.32"	3.35"	3.35"	4.10"	5.94"
<b>Depth</b>	1.61"	1.81"	1.33"	1.32"	1.56"	1.13"

**0-10V Dimming Power Supplies 0.1% 120VAC - 277VAC**

MODEL	POWER	OUTPUT	DIMMING
PS010V - 0-10V Power Supply dims down to 0.1%	96 - 96 Watt 3X96 - 3 X 96 Watt	24 - 24 VDC	LIN - Linear LOG - Logarithmic



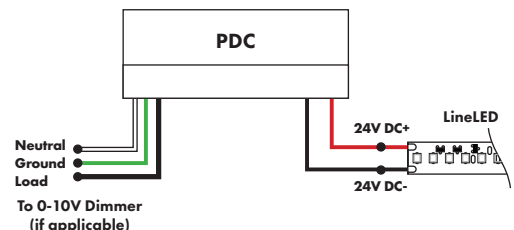
MODELS	96W	3X96
<b>Length</b>	14.40"	15.75"
<b>Width</b>	5.20"	6.62"
<b>Depth</b>	2.60"	4.95"



**Triac, MLV, ELV, & PWM Compatible Dimmers**

MODEL	POWER	OUTPUT
PDC - (IP20) Power Supply	96 - 96 Watts	24 - 24 VDC

MODELS	96W
<b>Length</b>	8.25"
<b>Width</b>	4.10"
<b>Depth</b>	1.56"



**Power Supplies**

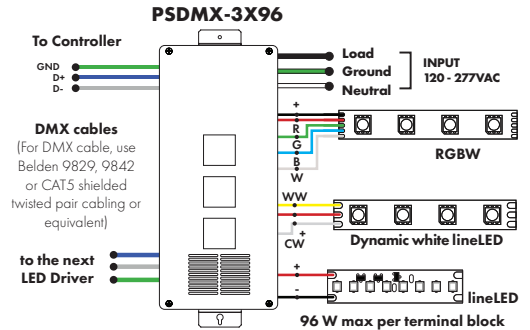
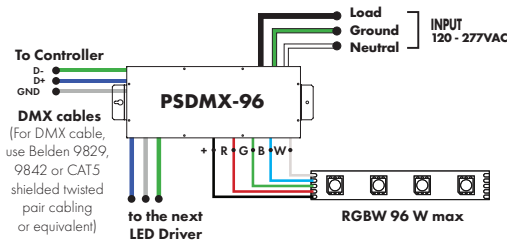
See Power Supply instructions and spec sheet for wiring information. For a complete list of compatible dimmers, see Compatible Dimming Chart on the Resources page.

**DMX Dimming Power Supplies 120VAC - 277VAC**

MODEL	POWER	OUTPUT
PSDMX - DMX Power Supply dims down to 0%	96 - 96 Watt 3X96 - 3 X 96 Watt	24 - 24 VDC

Features eldoLED's LINEARdrive configurable dimmable drivers

MODELS	96W	3X96
<b>Length</b>	14.40"	15.75"
<b>Width</b>	5.20"	6.62"
<b>Depth</b>	2.60"	4.95"

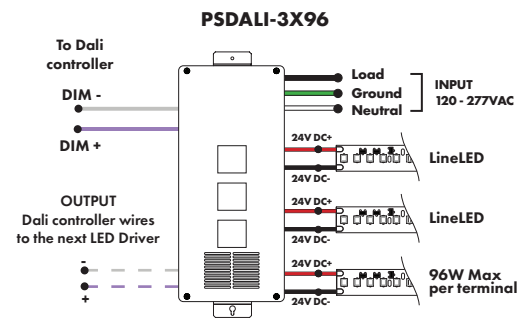
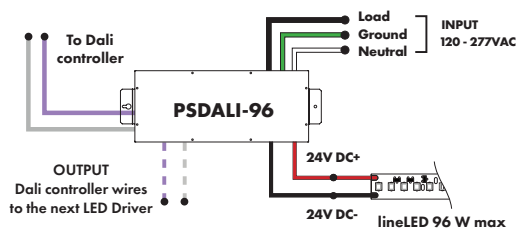


**DALI 0% Dimming Power Supplies 120VAC - 277VAC**

MODEL	POWER	OUTPUT
PSDALI - DALI Power Supply dims down to 0%	96 - 96 Watt 3X96 - 3 X 96 Watt	24 - 24 VDC

Features eldoLED's LINEARdrive configurable dimmable drivers

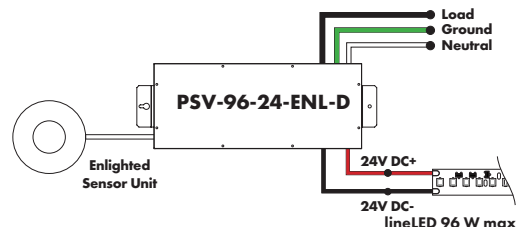
Model	96W	3X96
<b>Length</b>	14.40"	15.75"
<b>Width</b>	5.20"	6.62"
<b>Depth</b>	2.60"	4.95"



**Enlighted Enabled Dimming Power Supplies 120VAC - 277VAC**

MODEL	POWER	OUTPUT	DIMMING	LOCATION
PSV - PSV Series	96 - 96 Watt	24 - 24 VDC	ENL - Enlighted Dimming dims down to 0%	D - Damp

<b>Model</b>	<b>96W</b>
<b>Length</b>	14.40"
<b>Width</b>	5.20"
<b>Depth</b>	2.60"



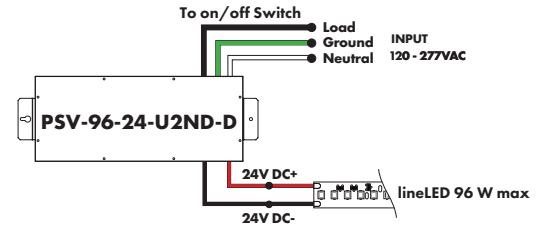
**Power Supplies**

See Power Supply instructions and spec sheet for wiring information. For a complete list of compatible dimmers, see Compatible Dimming Chart on the Resources page.

**Non-Dimming Power Supply 120VAC - 277VAC**

MODEL	POWER	OUTPUT	DIMMING	LOCATION
PSV - PSV Series	96 - 96 Watt	24 - 24 VDC	U2ND - Non Dimming	D - Damp

MODELS	96W
<b>Length</b>	14.40"
<b>Width</b>	5.20"
<b>Depth</b>	2.60"

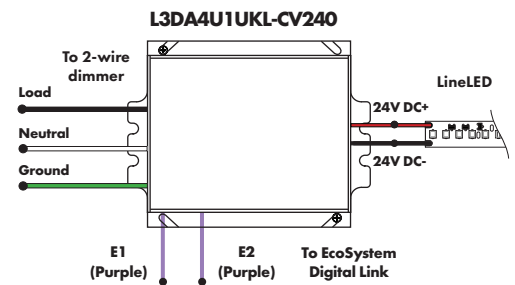
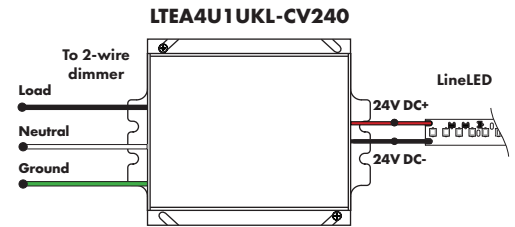


Luminii is a Lutron OEM Advantage Partner

**Lutron Power Supplies 1%**

MODEL	MODEL
<b>LTEA4U1UKL-CV240</b>	<b>L3DA4U1UKL-CV240</b>
Lutron - HiLume™ 1% 2-wire LED Driver 40W max	HiLume™ 1% EcoSystem Voltage LED driver 40W max
(120V forward phase only)	

MODELS	LTEA4U1UKL-CV240	L3DA4U1UKL-CV240
<b>Length</b>	4.89"	4.98"
<b>Width</b>	4.00"	4.00"
<b>Depth</b>	2.62"	2.62"

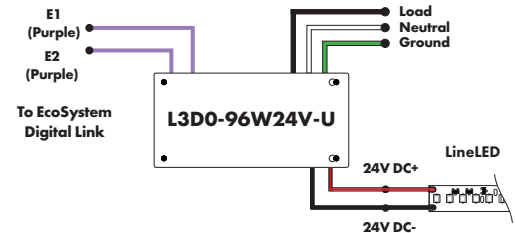


Luminii is a Lutron OEM Advantage Partner

**Lutron Power Supplies 0.1%**

MODEL
<b>L3D0-96W24V-U</b>
HiLume™ 0.1% EcoSystem Voltage LED Driver with Soft-On, Fade-to-Black™ 96W max

MODELS	L3D0
<b>Length</b>	10.50"
<b>Width</b>	5.50"
<b>Depth</b>	2.00"



**In-Ground Power Supplies**

MODEL	POWER	OUTPUT	INPUT
IG - In ground CVE Series	CVE - ELV Dimming DALI - eidoLED Dali dimming Both dims down to 0%	96X2 - 2 X 96 Watt	24 - 24 VDC
			Blank - 120 V 277 - 240/277 V

MODELS	Dual Circuit
<b>Length</b>	8.40"
<b>Width</b>	8.30"
<b>Depth</b>	8.10"

