

LineLED Flex 24V - Installation Instructions

Models LLFLEX18

Please read all instructions prior to installation and keep for future reference!

T 224.333.6033
www.opticarts.com

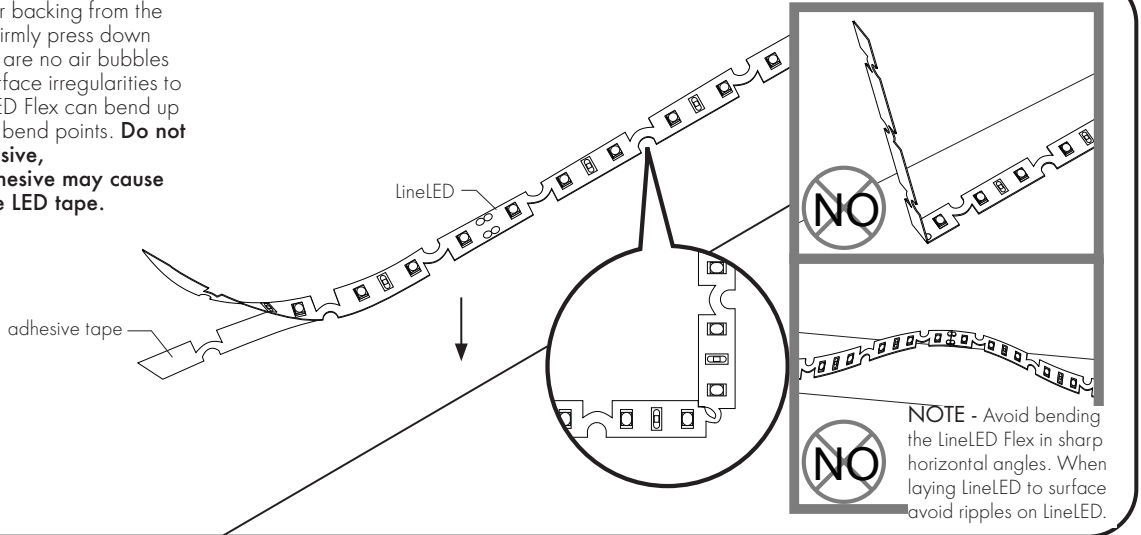
1. Product should be installed by a qualified electrician.
2. Prior to installation ensure power is off at fuse box to prevent electrical shock.
3. Use only with Class 2 power unit. *Utiliser seulement avec Classe 2 unite d'alimentation electrique.*
4. Suitable for Damp Locations. *Convient Aux Emplacements Humides.*
5. For under-cabinet or shelf mount.



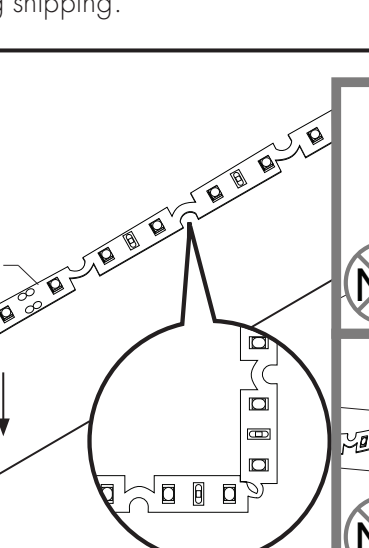
Page 1 of 1

Attention: Always test LineLED Flex operation before installing. Connect LineLED to power supply to ensure it is working properly and no damage has occurred during shipping.

1 Remove the paper backing from the LineLED Flex and firmly press down making sure there are no air bubbles that can cause surface irregularities to the LineLED. LineLED Flex can bend up to 90° along the bend points. **Do not remove the adhesive, removing the adhesive may cause arcing of the Line LED tape.**

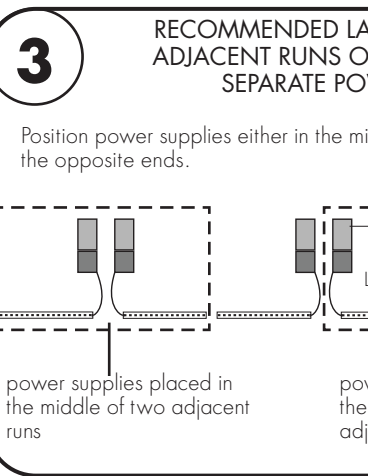


2 If length of LineLED flex needs to be adjusted on site, simply cut between the solder pads. Always cut from end with the wire leads.

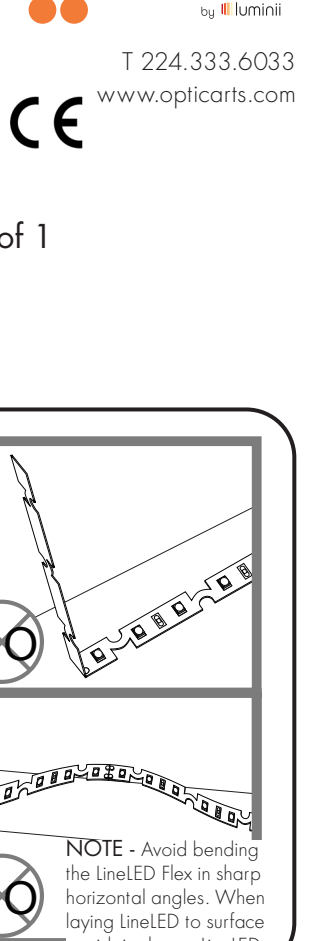


3 **RECOMMENDED LAYOUT FOR MULTIPLE ADJACENT RUNS OF LINELED FED WITH SEPARATE POWER SUPPLIES**

Position power supplies either in the middle of two runs or at the opposite ends.



4 **Always ensure power to power supply is off!** Follow diagrams to connect power feed wires to power supply. Refer to power supply instructions for wiring line voltage side.



Connect positive wire (plus sign tag or red wire) to RED low voltage wire from power supply. Also, connect negative wire (no tag or black wire) to PURPLE low voltage wire from power supply.